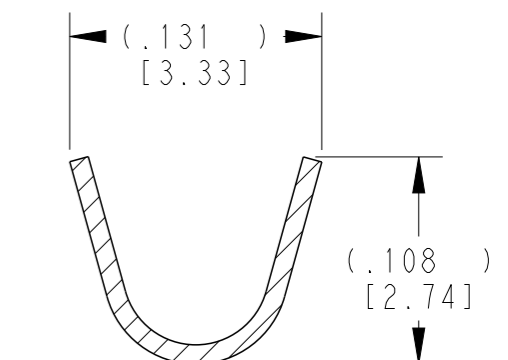
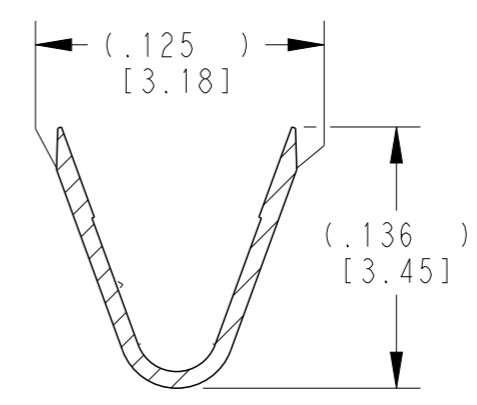
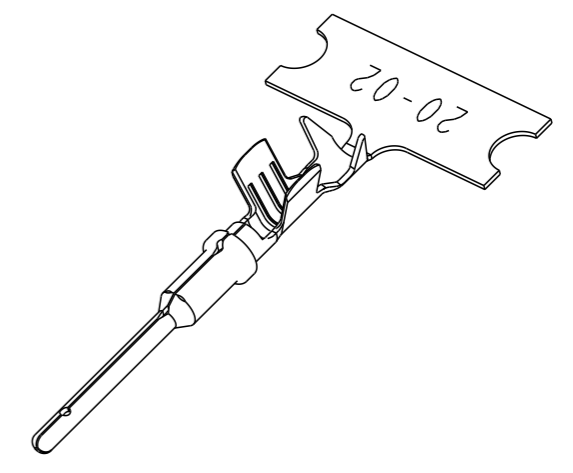
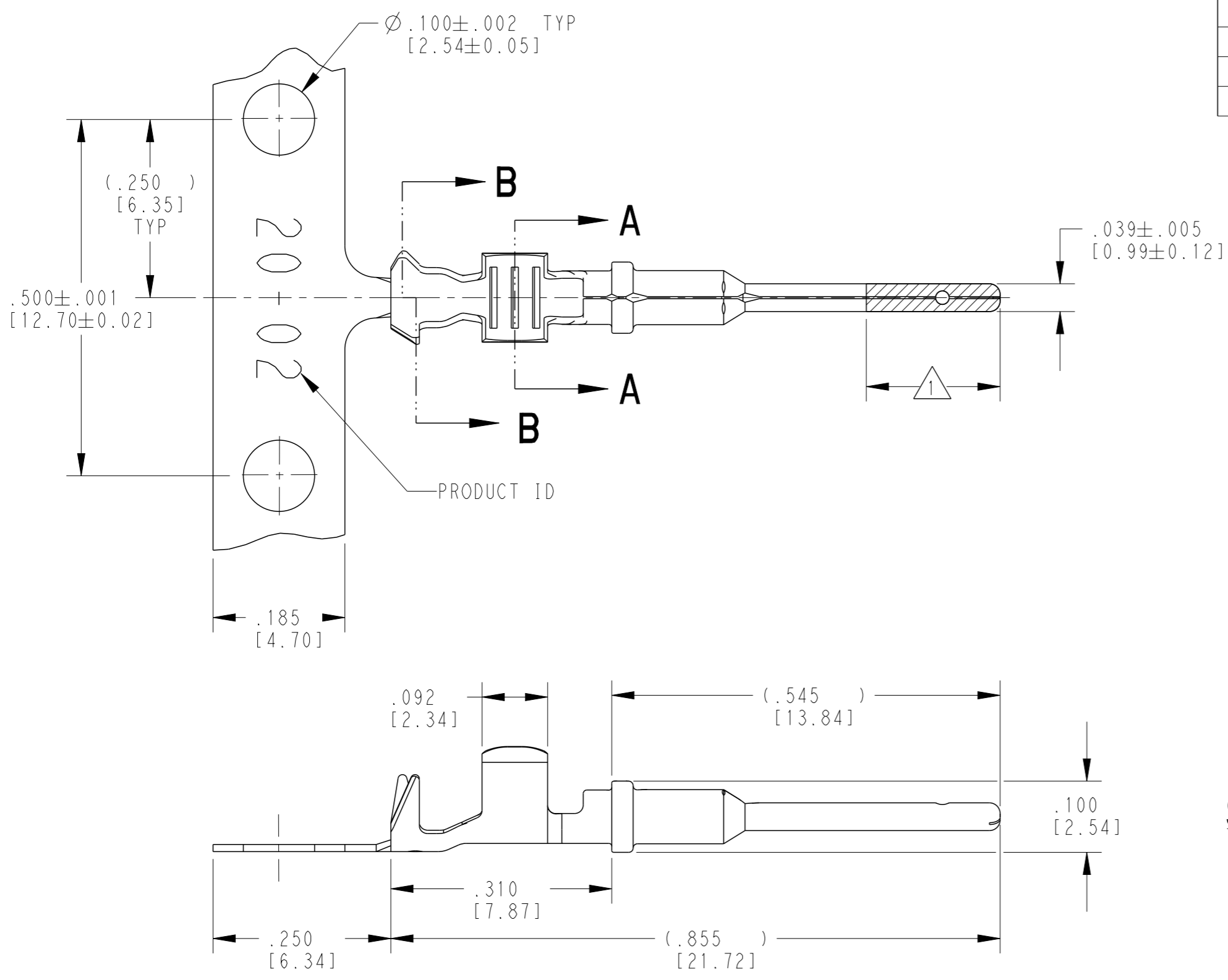


THIS DRAWING IS UNPUBLISHED. RELEASED FOR PUBLICATION 2018  
 © COPYRIGHT 2018 BY - ALL RIGHTS RESERVED.

P	LTR	DESCRIPTION	DATE	DWN	APVD
	D	REVISED PER E.O. P20392	03DEC2009		RDR
	E	REVISED PER PCN :E-18-007949	23MAY2018	DD	DM



**SECTION A-A**  
WIRE BARREL

**SECTION B-B**  
INSULATION BARREL

TE INTERNAL PN	DEUTSCH PN	PLATING
1060-20-0222	1060-20-0222	NICKEL
1060-20-0244	1060-20-0244	SELECTIVE GOLD
1060-20-0277	1060-20-0277	TIN

3 MATERIAL: .010 [0.25] THICK COPPER ALLOY

2. WIRE RANGE: 22 AWG TO 16 AWG [0.35-1.5 mm<sup>2</sup>]  
 INSULATION RANGE: Ø.051-.085 [Ø1.30-2.16]

1 APPLIES ONLY TO SELECTIVE GOLD 1060-20-0244.  
 INDICATED DIMENSION SHOWS GOLD PLATED AREA.

NOTES: UNLESS OTHERWISE SPECIFIED

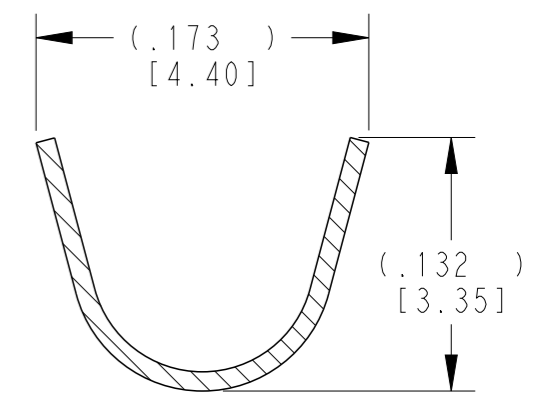
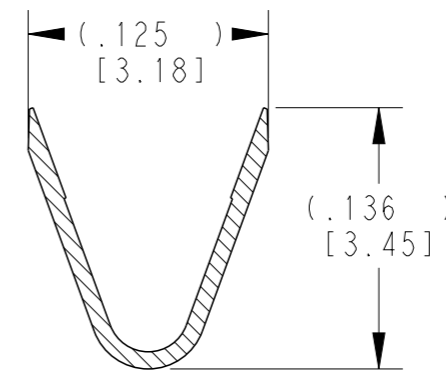
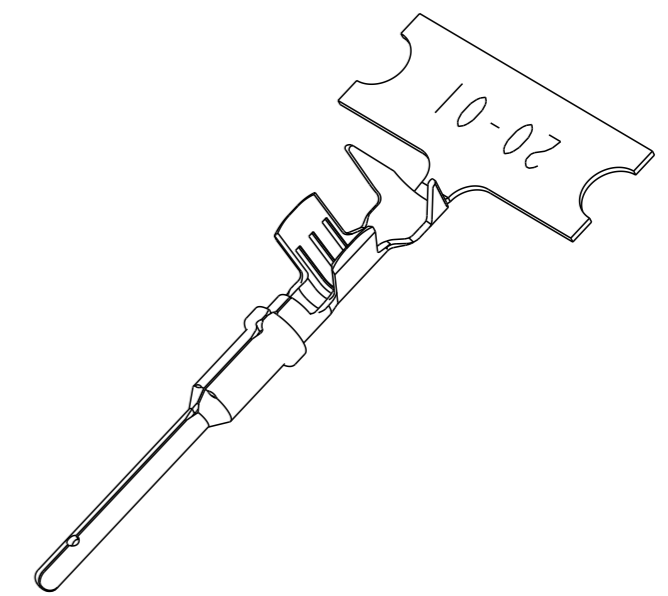
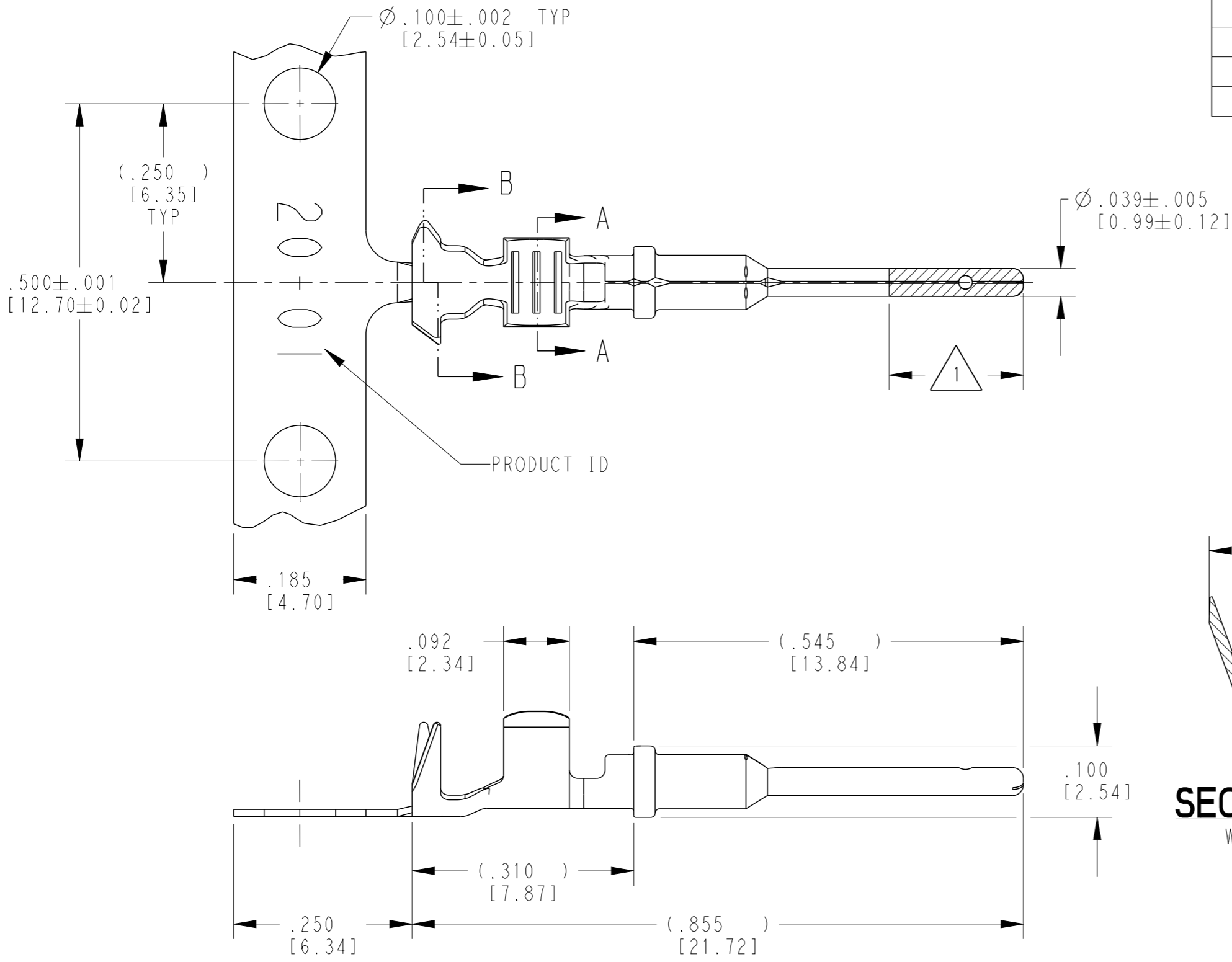
THIS DRAWING IS A CONTROLLED DOCUMENT.	
DIMENSIONS: INCHES [mm]	TOLERANCES UNLESS OTHERWISE SPECIFIED:
	0 PLC ±
	1 PLC ±
	2 PLC ±
	3 PLC ±.025 [0.64]
	4 PLC ±
	ANGLES ±
MATERIAL	FINISH
3	-
	SEE TABLE

DWN	J. APOSTOL	01DEC2009
CHK	D. MEYER	02DEC2009
APVD	R. REED	03DEC2009
PRODUCT SPEC	0425-015-0000	
APPLICATION SPEC	114-151003	
WEIGHT	0.15 g	
CUSTOMER DRAWING		

TE Connectivity		NAME	
		STAMPED CONTACT PIN SIZE 20	
SIZE	CAGE CODE	DRAWING NO	RESTRICTED TO
A3	4AFU8	©=1060-20-02XX	-
SCALE 6:1		SHEET 1 OF 1	REV E

THIS DRAWING IS UNPUBLISHED. RELEASED FOR PUBLICATION 2018  
 © COPYRIGHT 2018 BY - ALL RIGHTS RESERVED.

P	LTR	DESCRIPTION	DATE	DWN	APVD
	D	REVISED PER E.O. P20044	03NOV2008		RDR
	E	REVISED PER E.O. P20392	03DEC2009		RDR
	F	REVISED PER PCN :E-18-007949	23MAY2018	DD	DM



- 3 MATERIAL: .010 [0.25] THICK COPPER ALLOY
- 2. WIRE RANGE: 22 AWG TO 16 AWG [0.35-1.5 mm<sup>2</sup>]  
INSULATION RANGE:  $\varnothing .075-.125$  [ $\varnothing 1.91-3.18$ ]
- 1 APPLIES ONLY TO SELECTIVE GOLD 1060-20-0144.  
INDICATED DIMENSION SHOWS GOLD PLATED AREA.

NOTES: UNLESS OTHERWISE SPECIFIED

THIS DRAWING IS A CONTROLLED DOCUMENT.	
DIMENSIONS: INCHES [mm]	TOLERANCES UNLESS OTHERWISE SPECIFIED:
	0 PLC ±
	1 PLC ±
	2 PLC ±
	3 PLC ±.025 [0.64]
	4 PLC ±
	ANGLES ±
MATERIAL	FINISH
3	SEE TABLE

DWN	J. APOSTOL	01DEC2009
CHK	D. MEYER	02DEC2009
APVD	R. REED	03DEC2009
PRODUCT SPEC	0425-015-0000	
APPLICATION SPEC	114-151003	
WEIGHT	0.16 g	
CUSTOMER DRAWING		

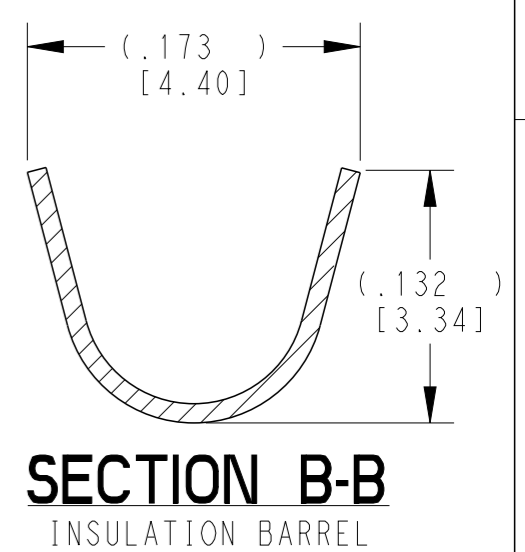
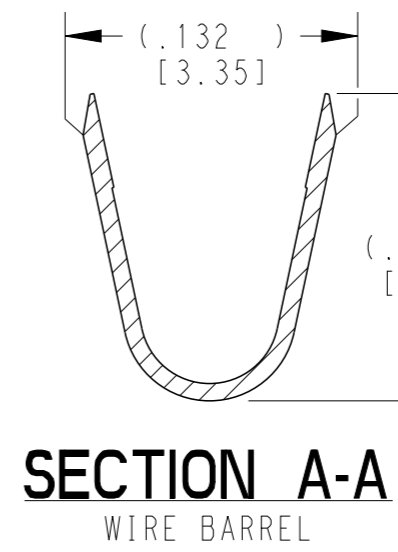
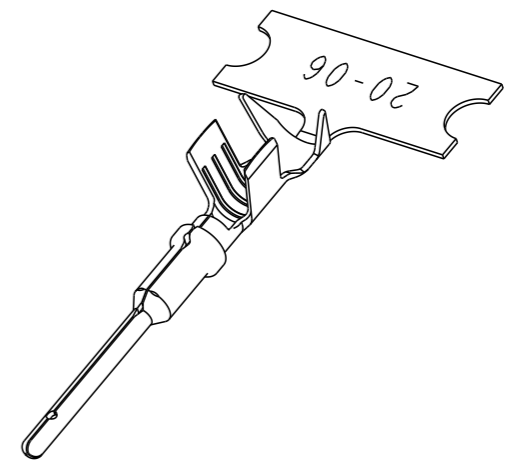
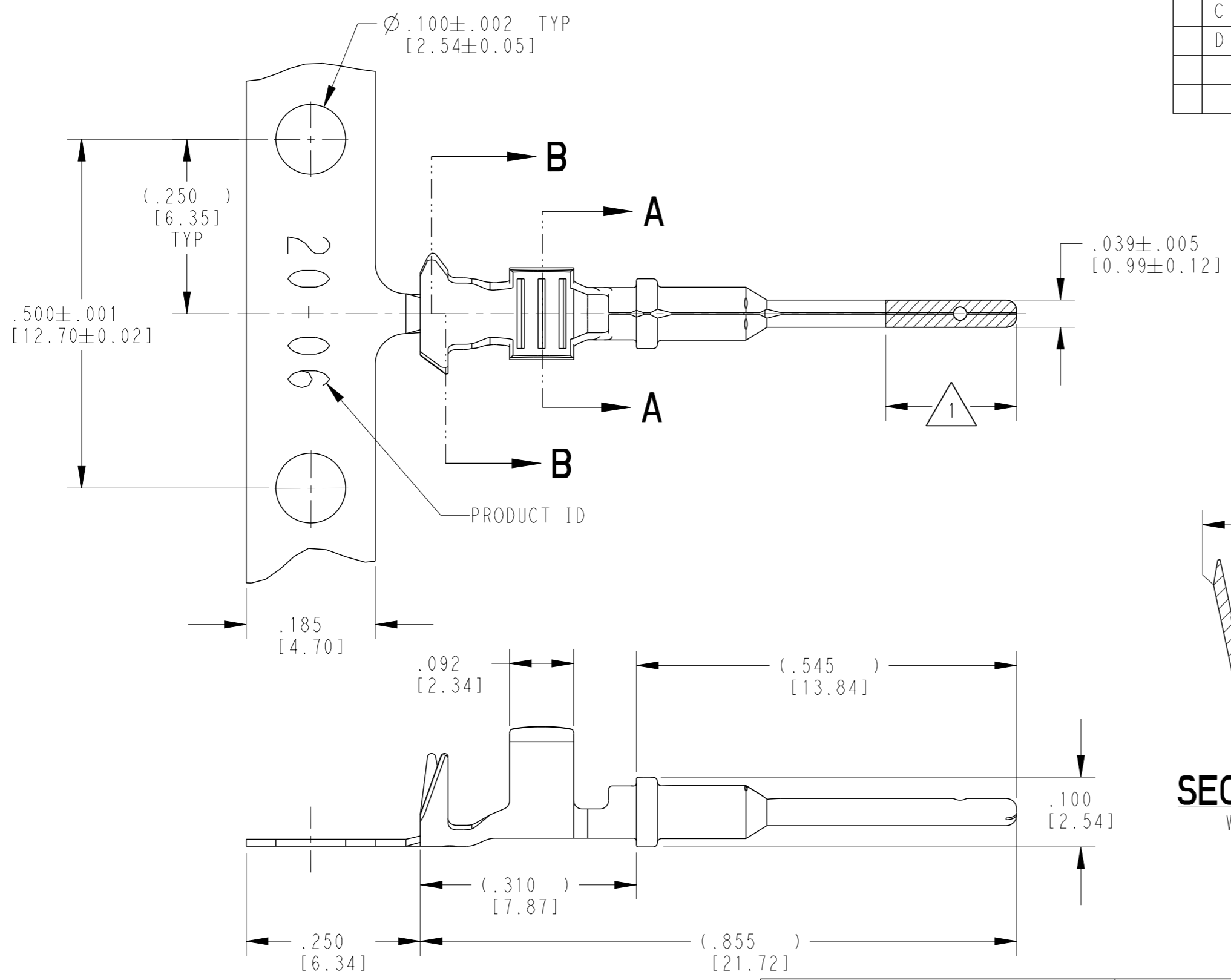
TE INTERNAL PN	DEUTSCH PN	PLATING
1060-20-0122	1060-20-0122	NICKEL
1060-20-0144	1060-20-0144	SELECTIVE GOLD
1060-20-0177	1060-20-0177	TIN



NAME STAMPED CONTACT PIN SIZE 20			
SIZE	CAGE CODE	DRAWING NO	RESTRICTED TO
A3	4AFU8	1060-20-01XX	-
SCALE		SHEET	REV
6:1		1 OF 1	F

THIS DRAWING IS UNPUBLISHED. RELEASED FOR PUBLICATION 2018  
 © COPYRIGHT 2018 BY - ALL RIGHTS RESERVED.

P	LTR	DESCRIPTION	DATE	DWN	APVD
C		RELEASED PER E.O. P20392	03DEC2009		RDR
D		REVISED PER PCN :E-18-007949	23MAY2018	DD	DM



- 3 MATERIAL: .010 [0.25] THICK COPPER ALLOY
  - 2. WIRE RANGE: 16 AWG TO 14 AWG [1.0-2.5 mm<sup>2</sup>]  
INSULATION RANGE:  $\varnothing .075$ -.125 [ $\varnothing 1.91$ -3.18]
  - 1 APPLIES ONLY TO SELECTIVE GOLD 1060-20-0644.  
INDICATED DIMENSION SHOWS GOLD PLATED AREA.
- NOTES: UNLESS OTHERWISE SPECIFIED

THIS DRAWING IS A CONTROLLED DOCUMENT.	
DIMENSIONS: INCHES [mm]	TOLERANCES UNLESS OTHERWISE SPECIFIED:
	0 PLC ±
	1 PLC ±
	2 PLC ±
	3 PLC ±.025 [0.64]
	4 PLC ±
	ANGLES ±
MATERIAL	FINISH SEE TABLE

DWN	J. APOSTOL	24MAY2007
CHK	D. MEYER	02DEC2009
APVD	R. REED	02DEC2009
PRODUCT SPEC	0425-015-0000	
APPLICATION SPEC	114-151003	
WEIGHT	0.17 g	
CUSTOMER DRAWING		

TE INTERNAL PN	DEUTSCH PN	PLATING
1060-20-0622	1060-20-0622	NICKEL
1060-20-0644	1060-20-0644	SELECTIVE GOLD
1060-20-0677	1060-20-0677	TIN

**1**

NAME STAMPED CONTACT PIN SIZE 20		RESTRICTED TO -	
SIZE A3	CAGE CODE 4AFU8	DRAWING NO C=1060-20-06XX	
SCALE 6:1		SHEET 1 OF 1	REV D

**STE** TE Connectivity