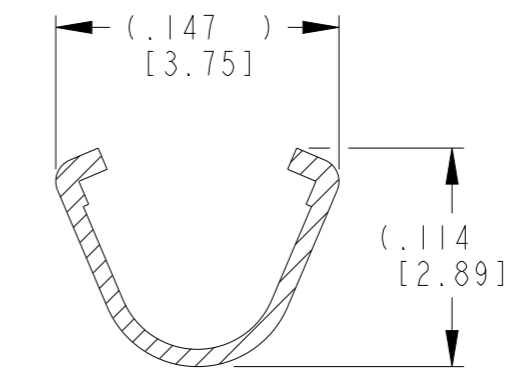
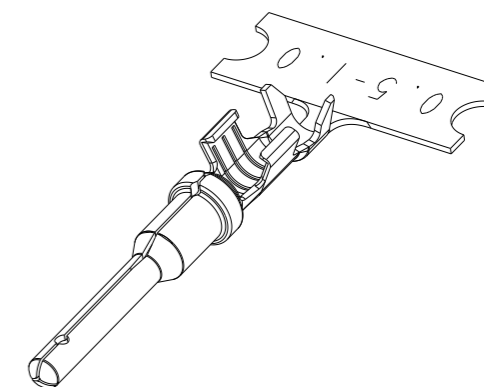
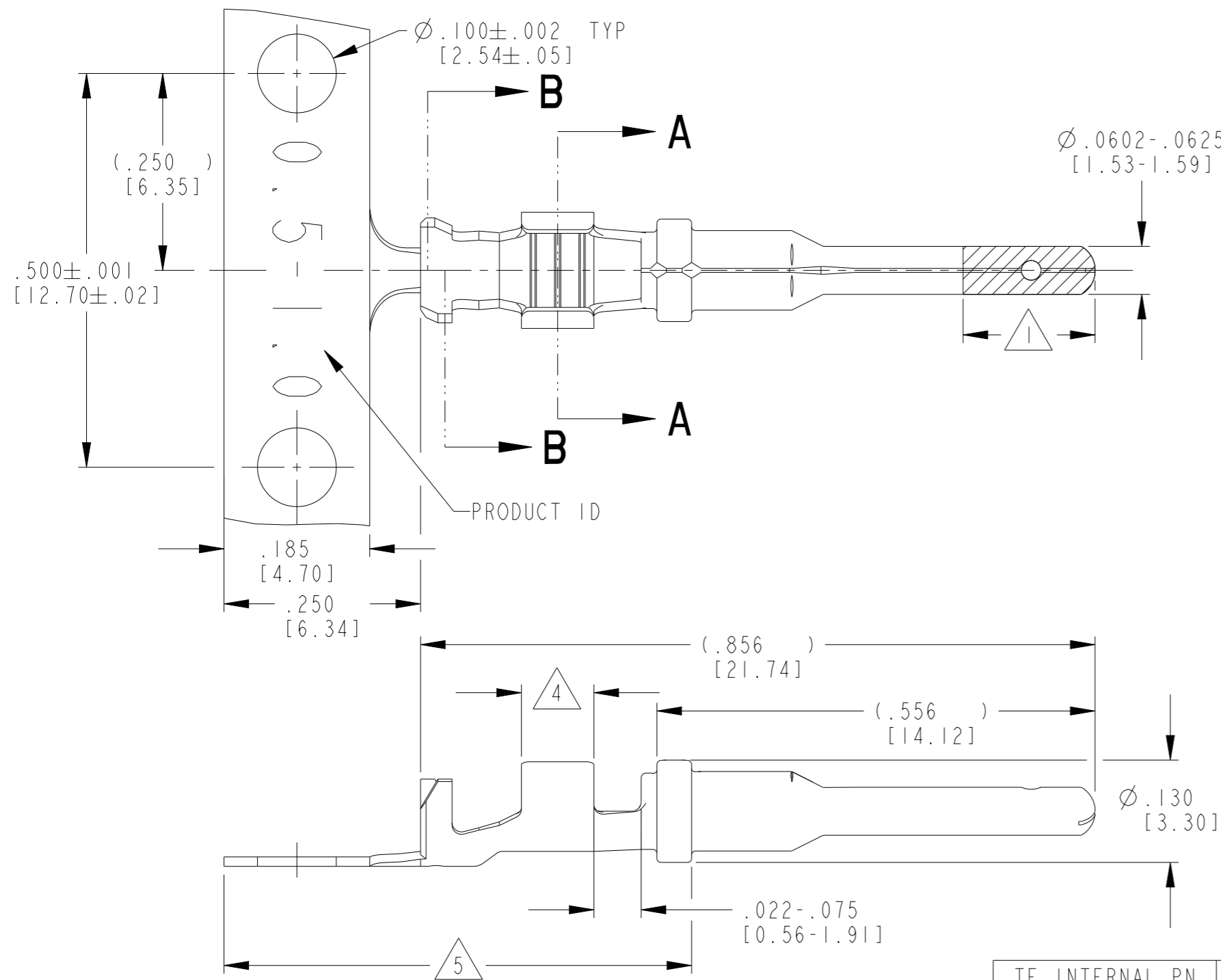
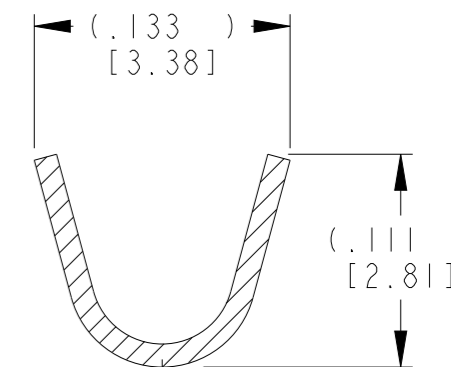


P	LTR	DESCRIPTION	DATE	DWN	APVD
F	I	REVISED PER PCN E-17-014802	06OCT2017	AJ	DM
G		REVISED PER PCN E-20-008101	12JUN2020	DM	DM
H		REVISED PER PCN-21-121539	07FEB2022	DRK	CB



SECTION A-A
WIRE BARREL



SECTION B-B
INSULATION BARREL

5 TIN PLATING MAY BE IN THIS REGION.

4 TIN PLATED REGION.

3 MATERIAL: .012 [0.30] THICK COPPER ALLOY

2. WIRE RANGE: 20 AWG TO 16 AWG [0.5-1.0 mm²]
INSULATION RANGE: Ø.055-.100 [Ø1.40-2.54]

1 44: GOLD PLATED REGION.
88: PALLADIUM-NICKEL PLATED REGION.

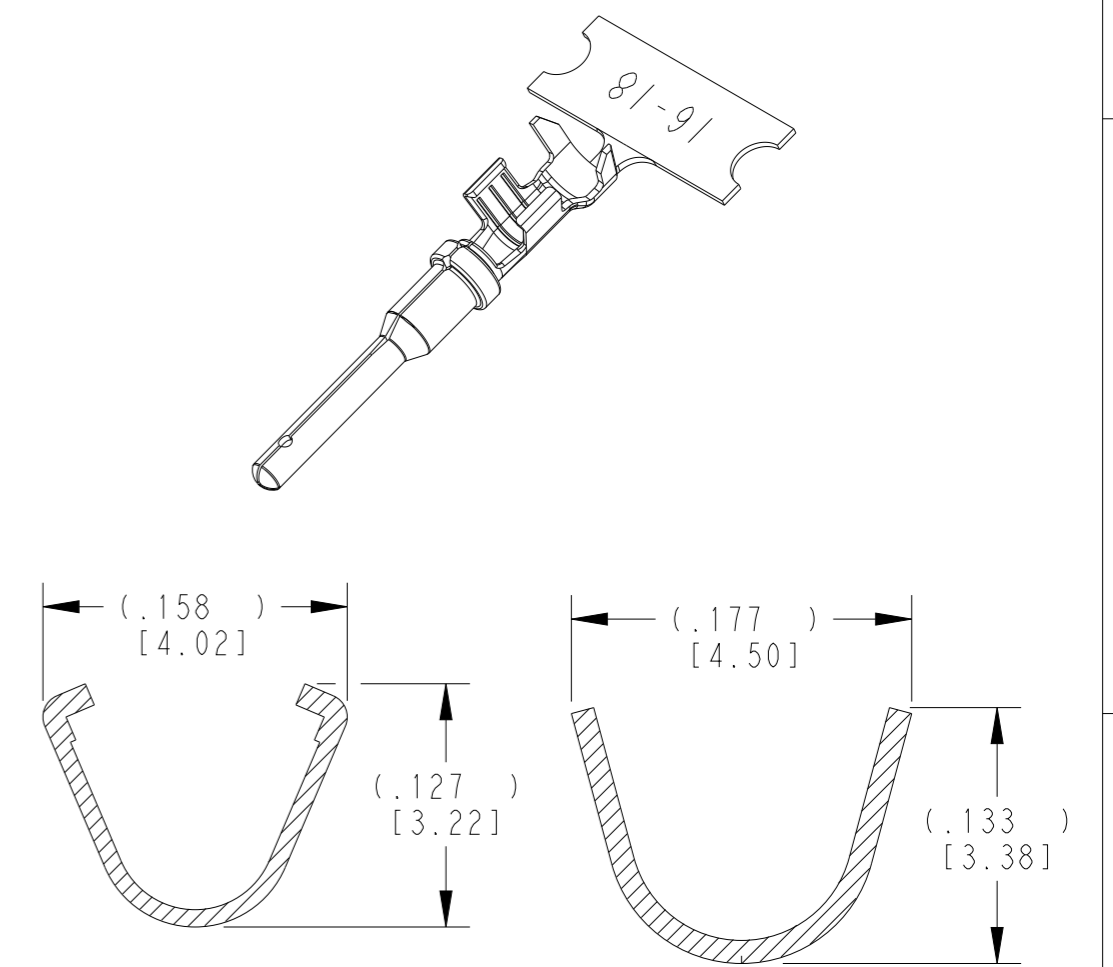
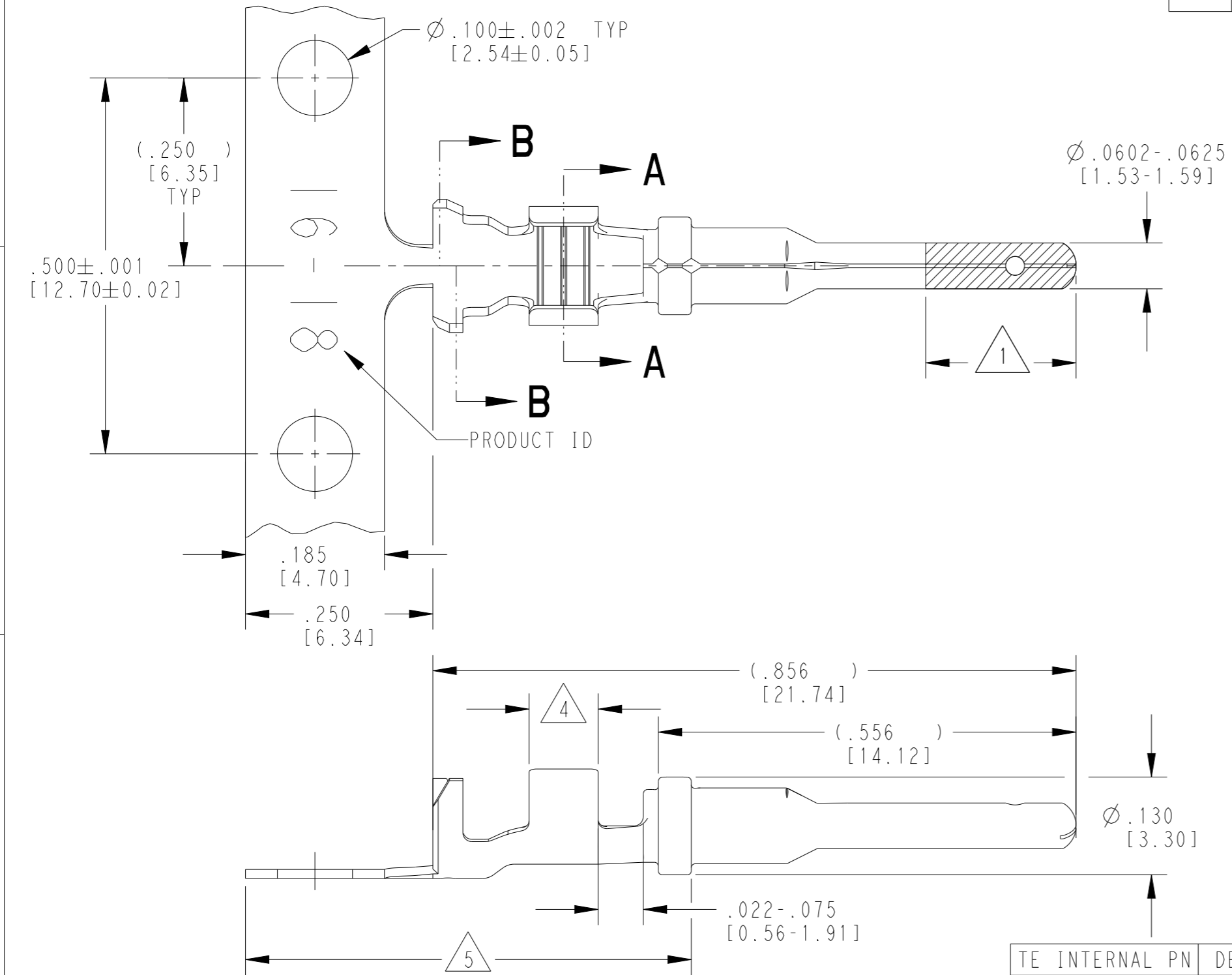
NOTES: UNLESS OTHERWISE SPECIFIED

TE INTERNAL PN	DEUTSCH PN	PLATING
1060-16-0622	1060-16-0622	Ni/Cu overall, Sn/Ni/Cu Wire Barrel
1060-16-0644	1060-16-0644	Selective Au, Ni/Cu overall, Sn/Ni/Cu Wire Barrel
1060-16-0677	1060-16-0677	Sn/Ni/Cu overall
1060-16-0688	1060-16-0688	Selective Pd-Ni, Au/Ni/Cu overall

THIS DRAWING IS A CONTROLLED DOCUMENT.		DWN STEVE PALLUTH 28NOV2000	TE Connectivity	
DIMENSIONS: INCHES [mm]		CHK VLADIMIR TOMSA 06DEC2000		
TOLERANCES UNLESS OTHERWISE SPECIFIED:		APVD R. REED 08DEC2000	NAME STAMPED CONTACT PIN SIZE 16	
0 PLC ± 1 PLC ± 2 PLC ± 3 PLC ±.025 [0.64] 4 PLC ± ANGLES ±		PRODUCT SPEC 108-151000	RESTRICTED TO	
MATERIAL		APPLICATION SPEC 114-151000	SIZE A3	CAGE CODE 4AFU8
FINISH SEE TABLE		WEIGHT 0.32 g	DRAWING NO C=1060-16-06XX	SCALE 6:1
3		CUSTOMER DRAWING	SHEET 1 OF 1	REV H

THIS DRAWING IS UNPUBLISHED. RELEASED FOR PUBLICATION 2020
 © COPYRIGHT 2020 BY TE CONNECTIVITY ALL RIGHTS RESERVED.

LOC	DIST	REVISIONS			
P	LTR	DESCRIPTION	DATE	DWN	APVD
	J	REVISED PER ECO-15-007761	28MAY2015	RL	DM
	K	REVISED PER PCN E-20-008101	12JUN2020	DM	DM
	L	REVISED PER PCN-21-121539	08DEC2021	MK	DM
	L1	REVISED PER PCN-21-121539	04FEB2022	MK	DM



- 5 TIN PLATING MAY BE IN THIS REGION.
 - 4 TIN PLATED REGION.
 - 3 MATERIAL: .012 [0.30] THICK COPPER ALLOY
 - 2. WIRE RANGE: 18 AWG TO 14 AWG [0.75-2.0 mm²]
INSULATION RANGE: $\phi .075 - .140$ [$\phi 1.91 - 3.56$]
 - 1 GOLD PLATED REGION.
- NOTES: UNLESS OTHERWISE SPECIFIED

TE INTERNAL PN	DEUTSCH PN	PLATING
1060-16-0122	1060-16-0122	Ni/Cu overall, Sn/Ni/Cu Wire Barrel
1060-16-0144	1060-16-0144	Selective Au, Ni/Cu overall, Sn/Ni/Cu Wire Barrel
1060-16-0177	1060-16-0177	Sn/Ni/Cu overall

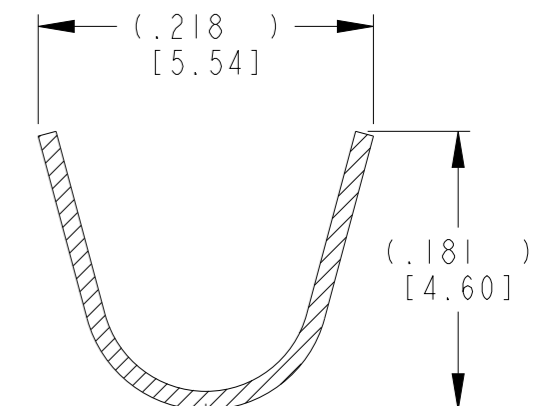
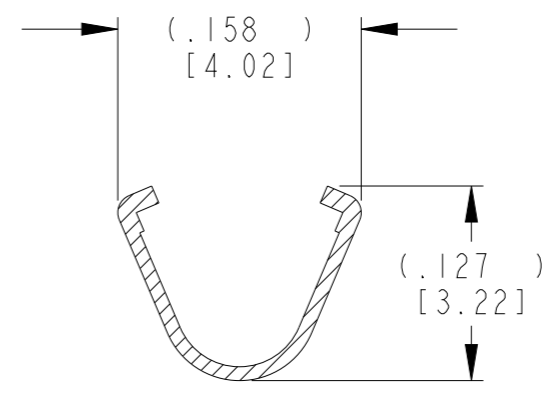
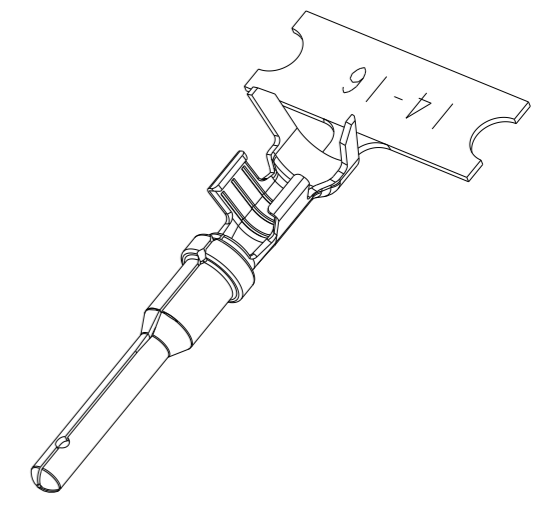
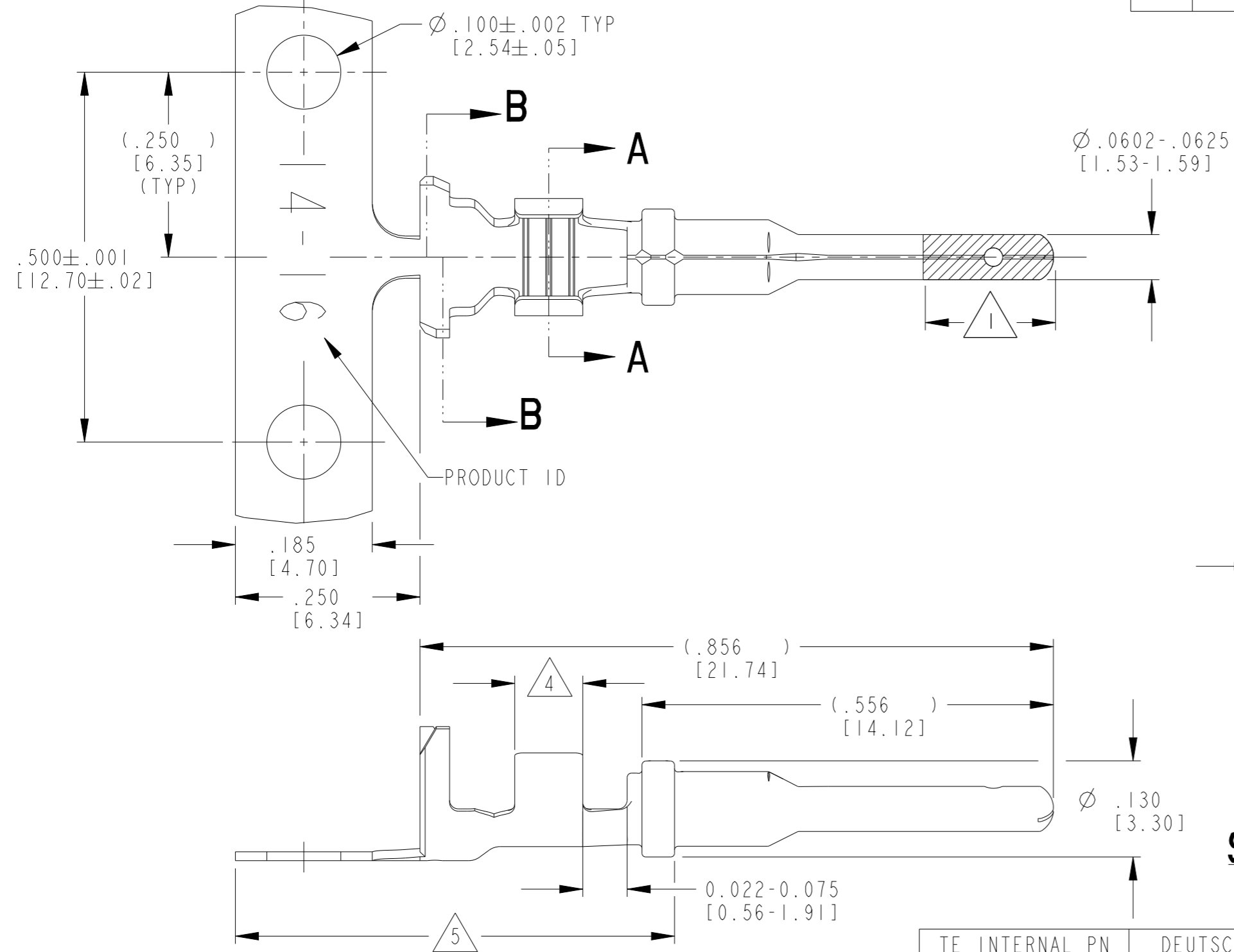
THIS DRAWING IS A CONTROLLED DOCUMENT.

DWN M. BLUM	04NOV1999	STE TE Connectivity
CHK A. ROLINSKI	08DEC2000	
APVD R. REED	08DEC2000	
PRODUCT SPEC	108-151000	
APPLICATION SPEC	114-151000	NAME STAMPED CONTACT PIN SIZE 16
MATERIAL	SEE TABLE	SIZE A3
		CAGE CODE 4AFU8
		DRAWING NO C=1060-16-01XX
		RESTRICTED TO -
		WEIGHT 0.33 g
		SCALE 6:1
		SHEET 1 OF 1
		REV L1

Customer Drawing

THIS DRAWING IS UNPUBLISHED. RELEASED FOR PUBLICATION 2020
 © COPYRIGHT 2020 BY TE CONNECTIVITY ALL RIGHTS RESERVED.

LOC		DIST		REVISIONS			
P	LTR	DESCRIPTION	DATE	DWN	APVD		
	F	REVISED PER ECO-15-007761	28MAY2015	RL	DM		
	G	REVISED PER PCN E-20-008101	12JUN2020	DM	DM		
	H	REVISED PER PCN-21-121539	08FEB2022	DM	GCR		



SECTION A-A
WIRE BARREL

SECTION B-B
INSULATION BARREL

TE INTERNAL PN	DEUTSCH PN	PLATING
1060-14-0122	1060-14-0122	Ni/Cu overall, Sn/Ni/Cu Wire Barrel
1060-14-0144	1060-14-0144	Selective Au, Ni/Cu overall, Sn/Ni/Cu Wire Barrel
1060-14-0177	1060-14-0177	Sn/Ni/Cu overall

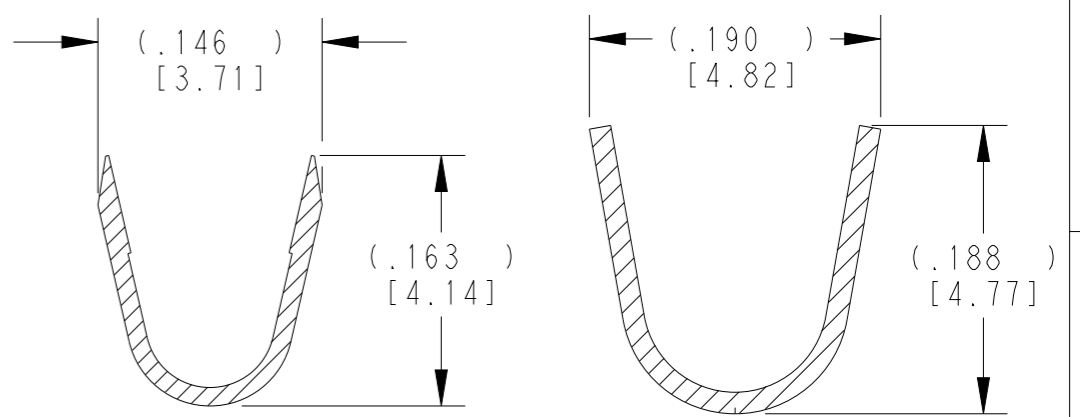
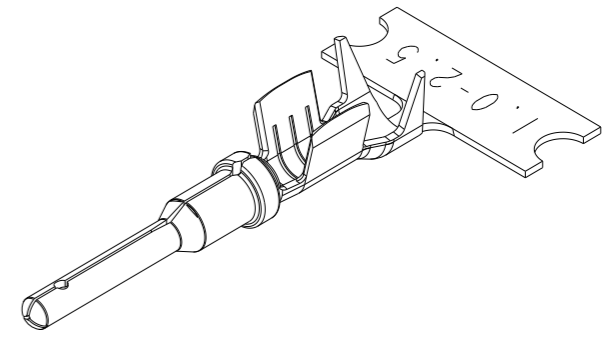
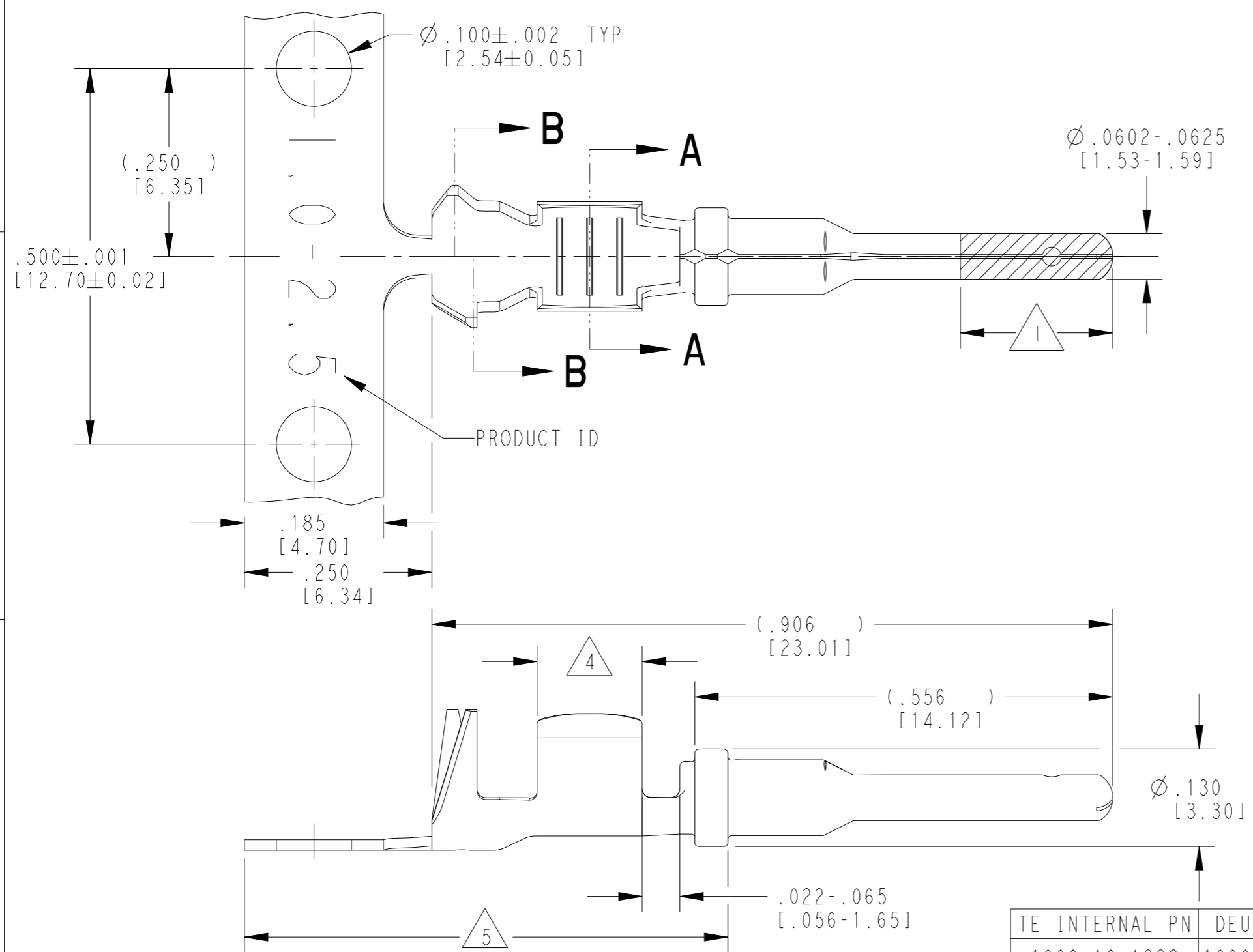
- △5 TIN PLATING MAY BE IN THIS REGION.
- △4 TIN PLATED REGION.
- △3 MATERIAL: .012 [0.30] THICK COPPER ALLOY
- 2. WIRE RANGE: 18 AWG TO 14 AWG [0.75-2.0 mm²]
INSULATION RANGE: Ø .095-.150 [Ø2.41-3.81]
- △1 GOLD PLATED REGION.

NOTES: UNLESS OTHERWISE SPECIFIED

THIS DRAWING IS A CONTROLLED DOCUMENT.		DWN 04NOV1999 MICHAEL BLOOM	STE TE Connectivity	
		CHK 04DEC2000 VLADIMIR TOMSA		
DIMENSIONS: INCHES [mm]		APVD 08DEC2000 ROBIN REED	NAME STAMPED CONTACT PIN SIZE 16	
TOLERANCES UNLESS OTHERWISE SPECIFIED:		PRODUCT SPEC 108-151000	SIZE A3	
0 PLC ± 1 PLC ± 2 PLC ± 3 PLC ±.025 [0.64] 4 PLC ± ANGLES ±		APPLICATION SPEC 114-151000	CAGE CODE 4AFU8	DRAWING NO 1060-14-01XX
MATERIAL △3		WEIGHT 0.34 g	RESTRICTED TO -	
FINISH SEE TABLE		Customer Drawing	SCALE 6:1	SHEET 1 OF 1 REV H

THIS DRAWING IS UNPUBLISHED. RELEASED FOR PUBLICATION 2020
 © COPYRIGHT 2020 BY TE CONNECTIVITY ALL RIGHTS RESERVED.

LOC	DIST	REVISIONS			
P	LTR	DESCRIPTION	DATE	DWN	APVD
	C	REVISED PER ECO-15-007761	28MAY2015	RL	DM
	D	REVISED PER PCN E-20-008101	12JUN2020	DM	DM
	E	REVISED PER PCN-21-121539	04MAR2022	MK	DM



SECTION A-A
WIRE BARREL

SECTION B-B
INSULATION BARREL

TE INTERNAL PN	DEUTSCH PN	PLATING
1060-16-1222	1060-16-1222	Ni/Cu overall, Sn/Ni/Cu Wire Barrel
1060-16-1244	1060-16-1244	Selective Au, Ni/Cu overall, Sn/Ni/Cu Wire Barrel
1060-16-1277	1060-16-1277	Sn/Ni/Cu overall

- 5 TIN PLATING MAY BE IN THIS REGION.
 - 4 TIN PLATED REGION.
 - 3 MATERIAL: .014 [0.36] THICK CU ALLOY
 - 2. WIRE RANGE: 16 AWG TO 12 AWG [1.0-2.5 mm²]
INSULATION RANGE: Ø.075-.140 [Ø1.91-3.56]
 - 1 GOLD PLATED REGION.
- NOTES: UNLESS OTHERWISE SPECIFIED

THIS DRAWING IS A CONTROLLED DOCUMENT.

DIMENSIONS: INCHES[mm]	TOLERANCES UNLESS OTHERWISE SPECIFIED: 0 PLC ± 1 PLC ± 2 PLC ± 3 PLC ±.025 [0.64] 4 PLC ± ANGLES ±	DWN 29MAR2001 VLADIMIR TOMSA	TE Connectivity	NAME STAMPED CONTACT PIN SIZE 16		
		CHK 14MAR2002 BRICE BYFORD				
MATERIAL 3	FINISH SEE TABLE	APVD 14MAR2002 R. REED			PRODUCT SPEC 108-151000	SIZE A3
		APPLICATION SPEC 114-151001			WEIGHT 0.40 g	CAGE CODE 4AFU8
Customer Drawing			DRAWING NO 1060-16-12XX	RESTRICTED TO -		
			SCALE 6:1	SHEET 1 OF 1		
			REV E			