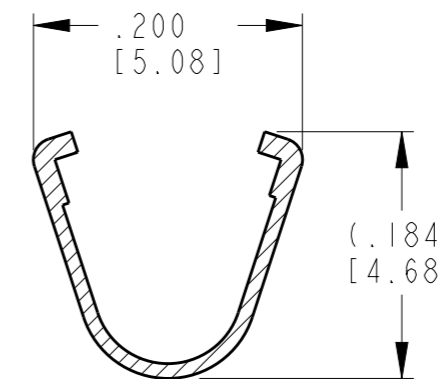
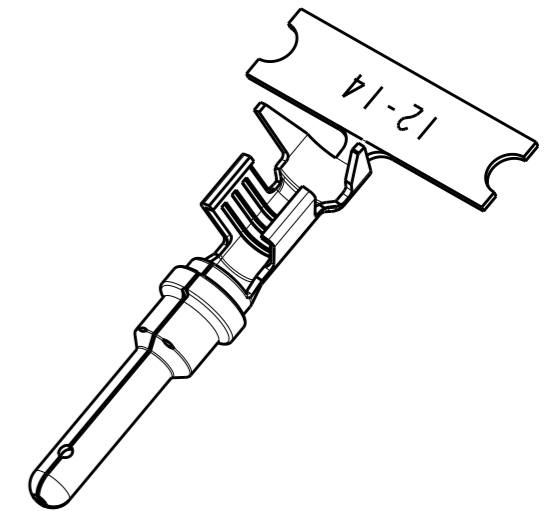
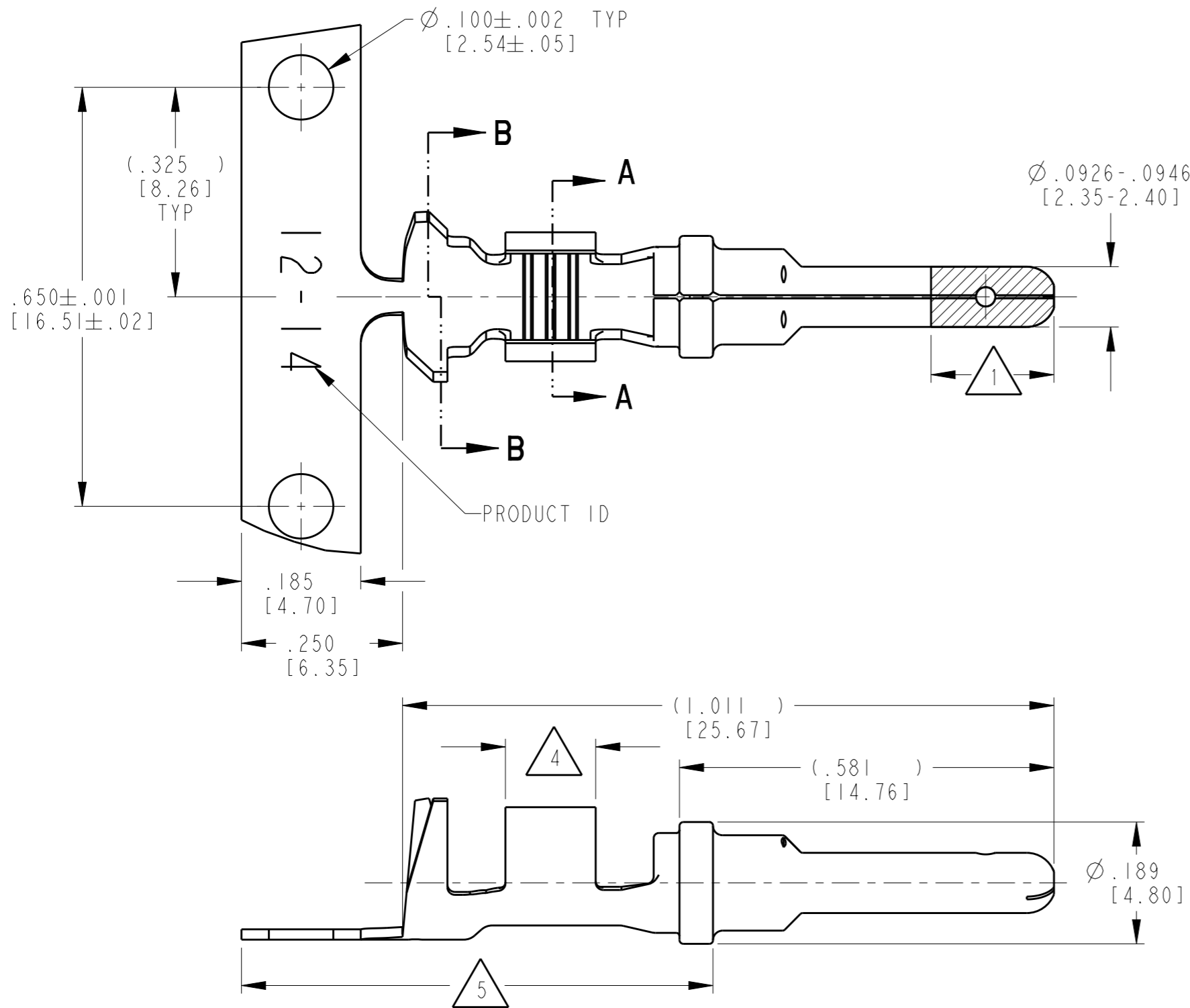
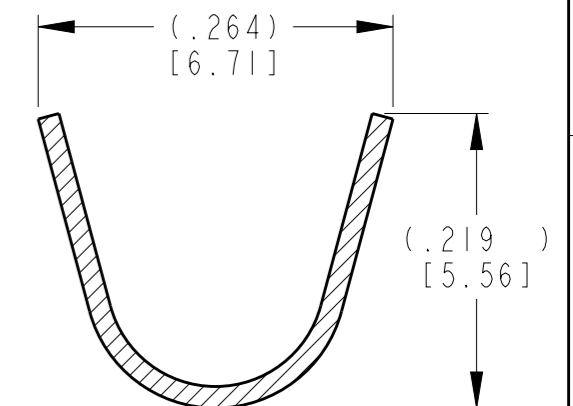


P	LTR	DESCRIPTION	DATE	DWN	APVD
C		REVISED PER EO PI9555	7-11-07		RDR
D		REVISED PER PCN E-20-009639	10JUL2020	DM	IG



SECTION A-A
CONDUCTOR WINGS



SECTION B-B
INSULATION WINGS

5 TIN PLATING MAY BE IN THIS REGION.

4 TIN PLATED REGION.

3 MATERIAL: .016 [0.41] THICK COPPER ALLOY.

2. WIRE RANGE: 14 AWG TO 12 AWG [2.0-4.0mm²]
INSULATION RANGE: Ø.113-.176 [2.87-4.47]

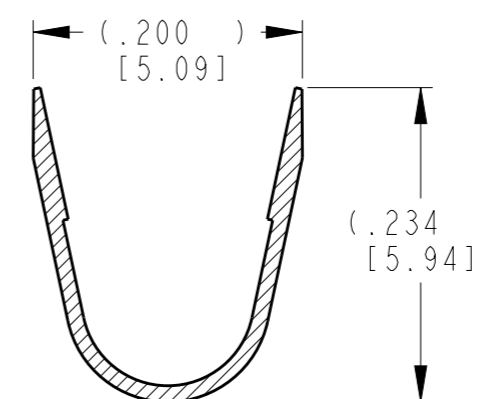
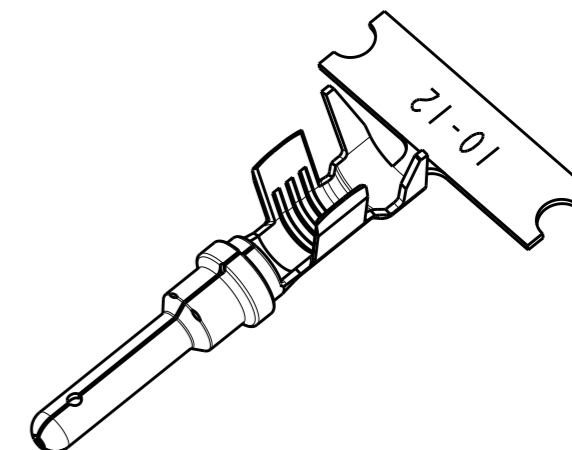
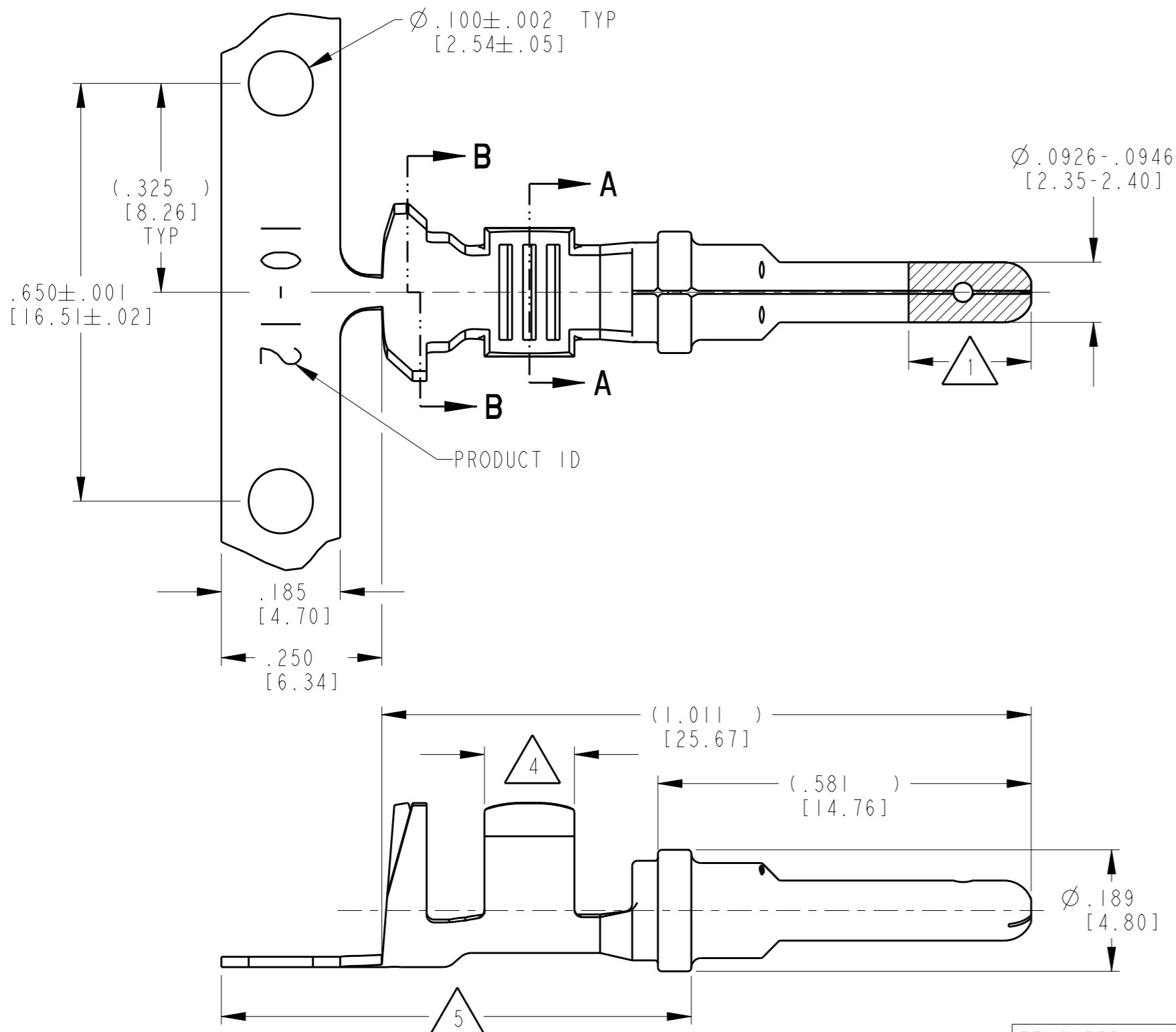
1 GOLD PLATED REGION.

NOTES: UNLESS OTHERWISE SPECIFIED

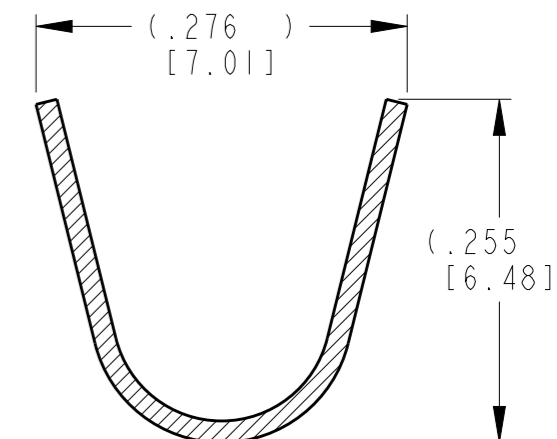
TE INTERNAL PN	DEUTSCH PN	PLATING
1060-12-0144	1060-12-0144	Selective Au, Ni/Cu overall, Sn/Ni/Cu Wire Barrel
1060-12-0166	1060-12-0166	Selective Ni, Ni/Cu overall, Sn/Ni/Cu Wire Barrel

THIS DRAWING IS A CONTROLLED DOCUMENT.		DWN D. MEYER 14NOV2000	STE TE Connectivity		
DIMENSIONS: INCH [mm]		CHK B. BYFORD 11JUL2007			
TOLERANCES UNLESS OTHERWISE SPECIFIED:		APVD R. REED 11JUL2007	NAME STAMPED CONTACT PIN SIZE 12		
0 PLC ±		PRODUCT SPEC 108-151000	SIZE A3	CAGE CODE 4AFU8	DRAWING NO C=1060-12-01XX
1 PLC ±		APPLICATION SPEC 114-151002	RESTRICTED TO	-	
2 PLC ±		WEIGHT .83 g	SCALE 5:1		
3 PLC ±.025 [0.64]		CUSTOMER DRAWING	SHEET 1 OF 1		
4 PLC ±		FINISH SEE TABLE	REV D		
ANGLES ±					

P	LTR	DESCRIPTION	DATE	DWN	APVD
	D	REVISED PER EO PI9555	7-11-07		RDR
	E	REVISED PER PCN E-20-009639	10JUL2020	DM	IG



SECTION A-A
CONDUCTOR WINGS



SECTION B-B
INSULATION WINGS

- 5 TIN PLATING MAY BE IN THIS REGION.
- 4 TIN PLATED REGION.
- 3 MATERIAL: .016 [0.41] THICK COPPER ALLOY.
- 2. WIRE RANGE: 10 AWG [4.0-6.0mm²]
INSULATION RANGE: $\varnothing .140 - .204$ [3.56-5.18]
- 1 GOLD PLATED REGION.

NOTES: UNLESS OTHERWISE SPECIFIED

TE INTERNAL PN	DEUTSCH PN	PLATING
1060-12-0222	1060-12-0222	Ni/Cu overall
1060-12-0244	1060-12-0244	Selective Au, Ni/Cu overall, Sn/Ni/Cu Wire Barrel

THIS DRAWING IS A CONTROLLED DOCUMENT.		DWN D. MEYER 08MAR2001	TE Connectivity	
DIMENSIONS: INCH (mm)		CHK B. BYFORD 07NOV2007		
TOLERANCES UNLESS OTHERWISE SPECIFIED:		APVD R. REED 07NOV2007	NAME STAMPED CONTACT PIN SIZE 12	
0 PLC ± 1 PLC ± 2 PLC ± 3 PLC ±.025 [0.64] 4 PLC ± ANGLES ±		PRODUCT SPEC 108-151000	SIZE A3	
MATERIAL 3		APPLICATION SPEC 114-151006	CAGE CODE 4AFU8	DRAWING NO C=1060-12-02XXX
FINISH SEE TABLE		WEIGHT .83 g	RESTRICTED TO -	SCALE 5:1
		CUSTOMER DRAWING	SHEET 1 OF 1	REV E