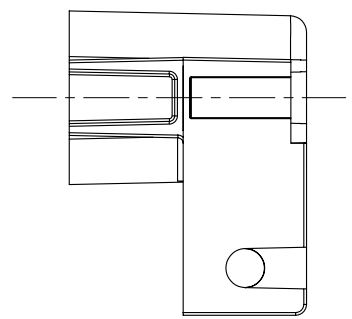
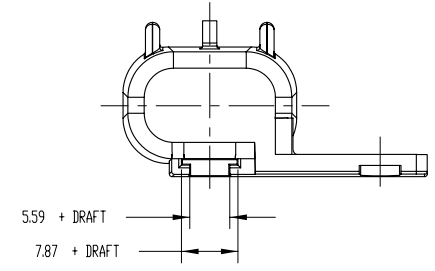
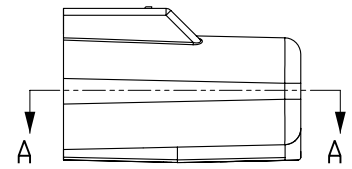
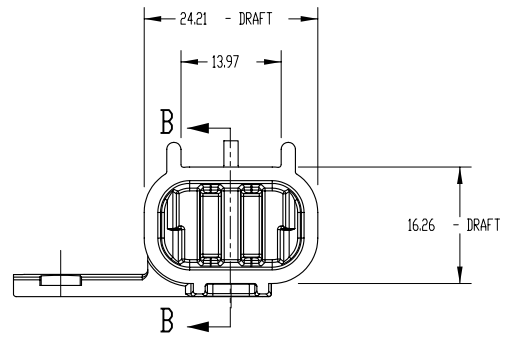
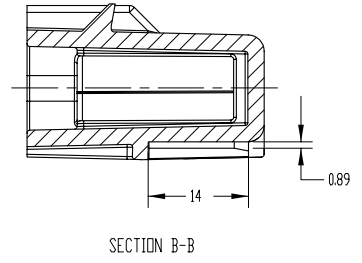
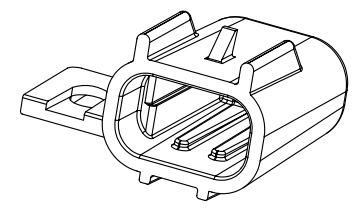
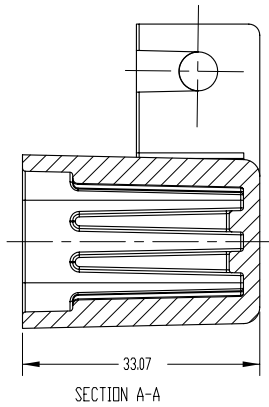
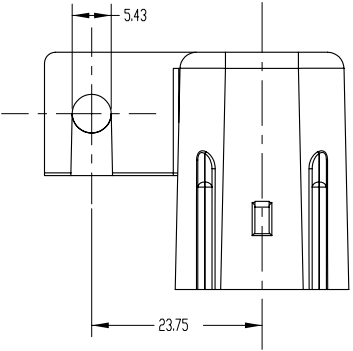


THE INFORMATION CONTAINED IN THIS DRAWING IS THE SOLE PROPERTY OF
 DEXFORD ENGINEERED MATERIALS CORP. ANY REPRODUCTION IN PART OR WHOLE WITHOUT
 THE WRITTEN PERMISSION OF DEXFORD ENGINEERED MATERIALS CORP. IS PROHIBITED.

REV.	DESCRIPTION	DATE	APPROVED
B	REV. REV. Y NOTE, ADD GATE LOCATION	10/21/00	
C	UPDATE DRAWING	11/28/07	



NOTES:
 1. MATERIAL: NYLON 6/6, HEAT STABILIZED, BLACK COLOR.
 2. THIS PART MATES WITH DELPHI PACKARD 15300027 CONNECTOR.

UNLESS OTHERWISE SPECIFIED DIMENSIONS ARE IN INCHES			APPROVALS		DATE
FRACIONS	DECIMALS	ANGLES	DRW	RD	6/27/00
+	XXX	XXX			
MATERIAL			CHECKED	REC'D ENG	
SEE NOTE 1.			REC'D ENG		
DO NOT SCALE DRAWING			QUAL ENG		
J.R. GREENLEAF & CO. WESTLAKE OHIO 44145				SIZE	10011
ES10 CAP				REV.	C
CASH FILE				SHEET 1 OF 1	