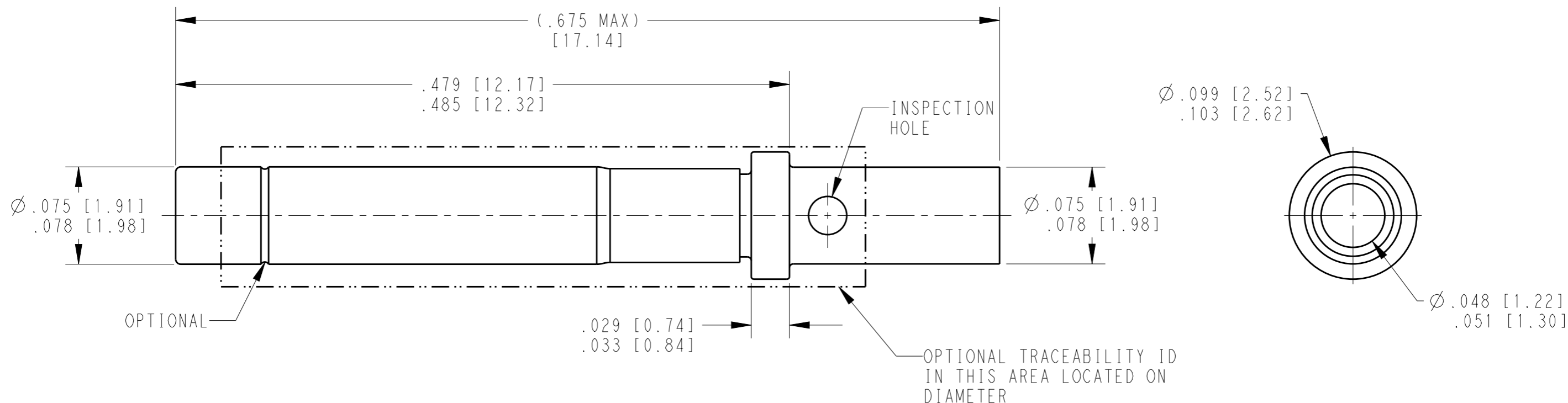


THIS DRAWING IS UNPUBLISHED
 RELEASED FOR PUBLICATION 2018
 © COPYRIGHT 1994 BY TE CONNECTIVITY ALL RIGHTS RESERVED.

REVISIONS					
P	LTR	DESCRIPTION	DATE	DWN	APVD
B		REVISED PER E.O. P21222	07DEC2011	DM	RDR
C		REVISED PER PCN E-18-001206	24JAN2018	JA	DM
C1		REVISED PER PCN E-19-008828	04JUNE2019	JA	IG
C2		REVISED PER PCN E-19-018080	19NOV2019	MK	DM



TE INTERNAL PN	DEUTSCH PN	PLATING
0462-201-2031	0462-201-2031	GOLD
0462-201-20141	0462-201-20141	NICKEL
0462-201-20309	0462-201-20309	TIN

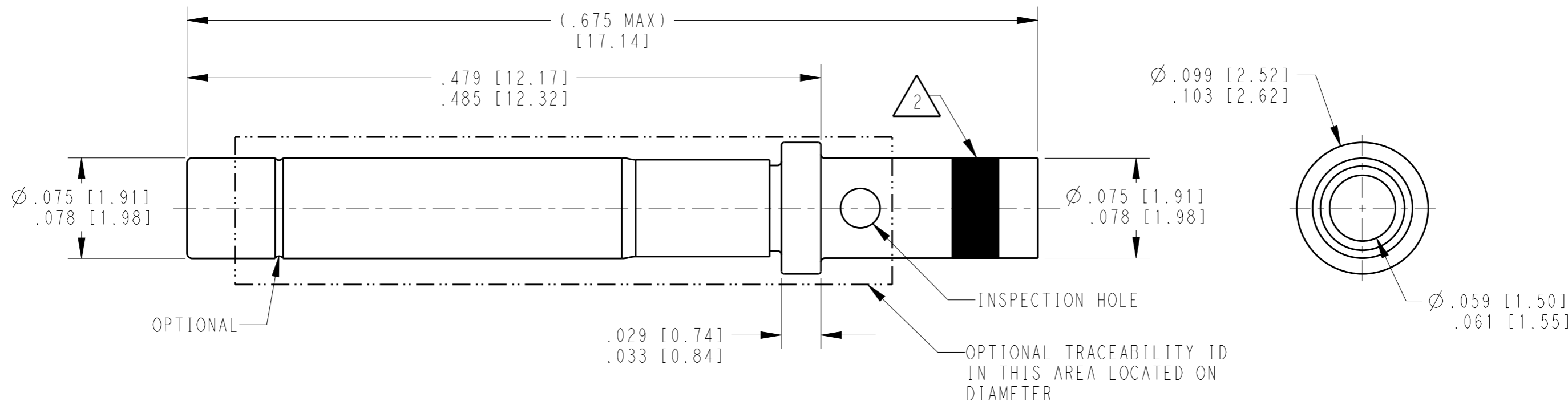
(C2) 1. SEE APPLICATION SPECIFICATION 114-151004 FOR CRIMP TOOLS AND WIRE RANGE

NOTES: UNLESS OTHERWISE SPECIFIED

THIS DRAWING IS A CONTROLLED DOCUMENT.		DWN D. MEYER 16APR1999															
DIMENSIONS: INCHES [mm]		CHK D. MEYER 07DEC2011															
TOLERANCES UNLESS OTHERWISE SPECIFIED:		APVD R. REED 07DEC2011	NAME CONTACT SOCKET SIZE 20														
<table border="1"> <tr><td>0 PLC</td><td>±</td></tr> <tr><td>1 PLC</td><td>±</td></tr> <tr><td>2 PLC</td><td>±</td></tr> <tr><td>3 PLC</td><td>±</td></tr> <tr><td>4 PLC</td><td>±</td></tr> <tr><td>ANGLES</td><td>±</td></tr> </table>		0 PLC	±	1 PLC	±	2 PLC	±	3 PLC	±	4 PLC	±	ANGLES	±	PRODUCT SPEC 108-151004	SIZE A3	CAGE CODE 4AFU8	DRAWING NO C=0462-201-20XX
0 PLC	±																
1 PLC	±																
2 PLC	±																
3 PLC	±																
4 PLC	±																
ANGLES	±																
MATERIAL		APPLICATION SPEC 114-151004	RESTRICTED TO -														
FINISH		WEIGHT 0.27g	SCALE 12:1														
		CUSTOMER DRAWING	SHEET 1 OF 1														
			REV C2														

REVISIONS

P	LTR	DESCRIPTION	DATE	DWN	APVD
B		REVISED PER E.O. P21283	25JAN2012	DM	RDR
C		REVISED PER PCN E-18-001206	24JAN2018	JA	DM
C1		REVISED PER PCN E-19-008828	04JUN2019	JA	DM
C2		REVISED PER PCN E-19-018080	19NOV2019	MK	DM



TE INTERNAL PN	DEUTSCH PN	PLATING
0462-005-2031	0462-005-2031	GOLD
0462-005-20141	0462-005-20141	NICKEL
0462-005-20309	0462-005-20309	TIN

- (C2) 3. SEE APPLICATION SPECIFICATION 114-151004 FOR CRIMP TOOLS AND WIRE RANGE
- (2) SOCKET CONTACT IS IDENTIFIED BY A SINGE PURPLE STRIPE.
- (C2) 1. DELETED.

NOTES: UNLESS OTHERWISE SPECIFIED

THIS DRAWING IS A CONTROLLED DOCUMENT.		DWN D. MEYER 14SEP2007	TE TE Connectivity	
DIMENSIONS: INCHES [mm]		CHK D. MEYER 23JAN2012		
TOLERANCES UNLESS OTHERWISE SPECIFIED:		APVD R. REED 03FEB2012	NAME CONTACT SOCKET SIZE 20	
0 PLC ±		PRODUCT SPEC 108-151004	SIZE A3	
1 PLC ±		APPLICATION SPEC 114-151004	CAGE CODE 4AFU8	DRAWING NO C=0462-005-20XX
2 PLC ±		WEIGHT 0.26g	RESTRICTED TO -	
3 PLC ±		CUSTOMER DRAWING	SCALE 12:1	SHEET 1 OF 1
4 PLC ±			REV C2	
ANGLES ±				
FINISH				