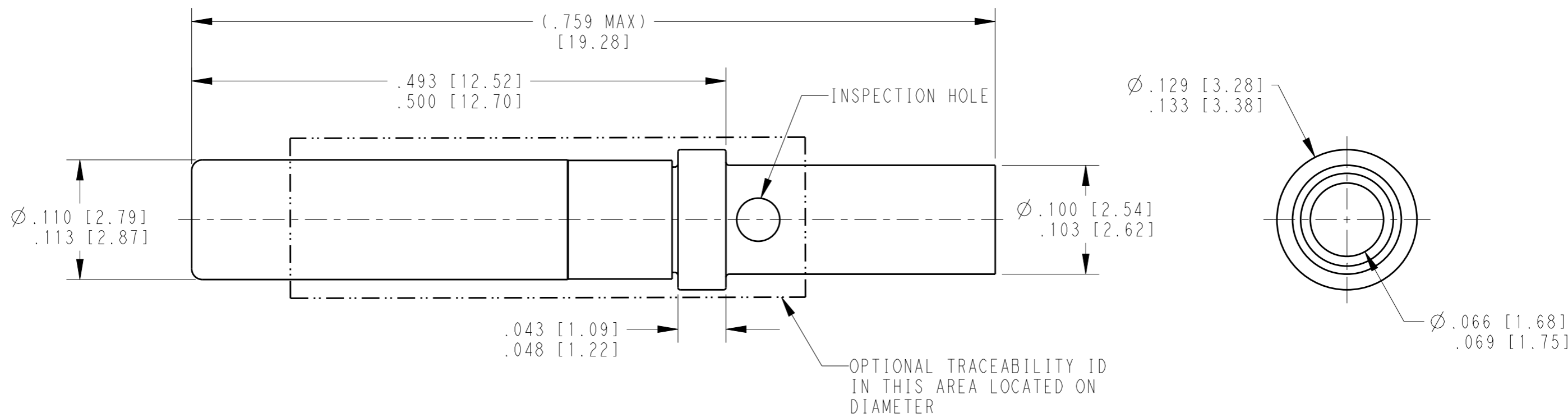



REVISIONS

| P | LTR | DESCRIPTION                  | DATE      | DWN | APVD |
|---|-----|------------------------------|-----------|-----|------|
|   | NC  | NEW RELEASE PER E.O. P15506  | 23DEC1997 | DM  | RDR  |
|   | A   | RELEASED PER E.O. P15996     | 25MAY1999 | DM  | RDR  |
|   | B   | RELEASED PER PCN E-18-001206 | 24JAN2018 | JA  | DM   |
|   | B1  | REVISED PER PCN E-19-018080  | 21NOV2019 | MK  | DM   |



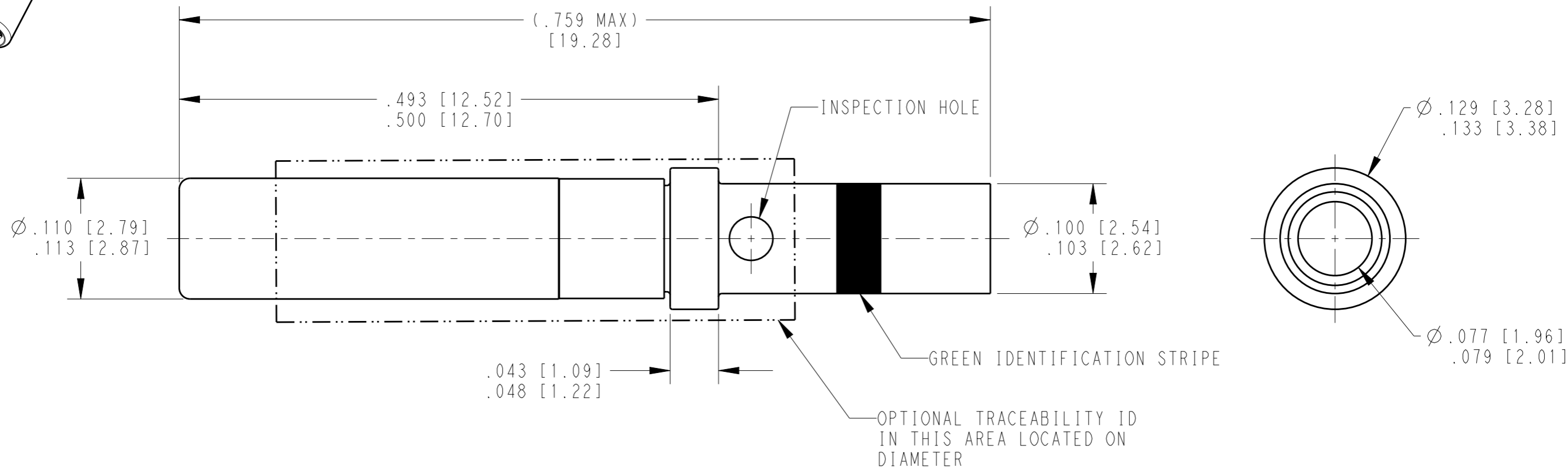
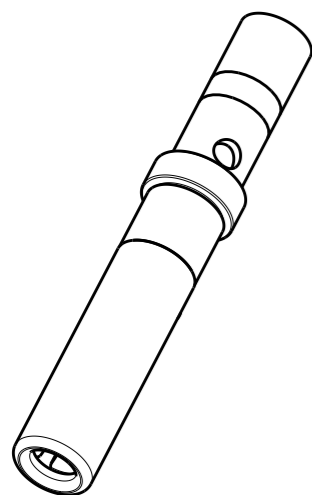
| TE INTERNAL PN | DEUTSCH PN     | PLATING |
|----------------|----------------|---------|
| 0462-201-1631  | 0462-201-1631  | GOLD    |
| 0462-201-16141 | 0462-201-16141 | NICKEL  |

|                                                                                                                                                                                                                                                            |   |                                |                                                                                                       |                             |   |       |   |       |   |       |   |        |   |                            |            |  |
|------------------------------------------------------------------------------------------------------------------------------------------------------------------------------------------------------------------------------------------------------------|---|--------------------------------|-------------------------------------------------------------------------------------------------------|-----------------------------|---|-------|---|-------|---|-------|---|--------|---|----------------------------|------------|--|
| THIS DRAWING IS A CONTROLLED DOCUMENT.                                                                                                                                                                                                                     |   | DWN<br>D. MEYER<br>17DEC1997   |  TE Connectivity |                             |   |       |   |       |   |       |   |        |   |                            |            |  |
| DIMENSIONS:<br>INCHES [mm]                                                                                                                                                                                                                                 |   | CHK<br>V. TOMSA<br>25MAY1999   |                                                                                                       |                             |   |       |   |       |   |       |   |        |   |                            |            |  |
| TOLERANCES UNLESS OTHERWISE SPECIFIED:                                                                                                                                                                                                                     |   | APVD<br>R. REED<br>25MAY1999   | NAME<br>CONTACT SOCKET<br>SIZE 16                                                                     |                             |   |       |   |       |   |       |   |        |   |                            |            |  |
| <table border="0"> <tr> <td>0 PLC</td> <td>±</td> </tr> <tr> <td>1 PLC</td> <td>±</td> </tr> <tr> <td>2 PLC</td> <td>±</td> </tr> <tr> <td>3 PLC</td> <td>±</td> </tr> <tr> <td>4 PLC</td> <td>±</td> </tr> <tr> <td>ANGLES</td> <td>±</td> </tr> </table> |   | 0 PLC                          | ±                                                                                                     | 1 PLC                       | ± | 2 PLC | ± | 3 PLC | ± | 4 PLC | ± | ANGLES | ± | PRODUCT SPEC<br>108-151004 | SIZE<br>A3 |  |
| 0 PLC                                                                                                                                                                                                                                                      | ± |                                |                                                                                                       |                             |   |       |   |       |   |       |   |        |   |                            |            |  |
| 1 PLC                                                                                                                                                                                                                                                      | ± |                                |                                                                                                       |                             |   |       |   |       |   |       |   |        |   |                            |            |  |
| 2 PLC                                                                                                                                                                                                                                                      | ± |                                |                                                                                                       |                             |   |       |   |       |   |       |   |        |   |                            |            |  |
| 3 PLC                                                                                                                                                                                                                                                      | ± |                                |                                                                                                       |                             |   |       |   |       |   |       |   |        |   |                            |            |  |
| 4 PLC                                                                                                                                                                                                                                                      | ± |                                |                                                                                                       |                             |   |       |   |       |   |       |   |        |   |                            |            |  |
| ANGLES                                                                                                                                                                                                                                                     | ± |                                |                                                                                                       |                             |   |       |   |       |   |       |   |        |   |                            |            |  |
| MATERIAL                                                                                                                                                                                                                                                   |   | APPLICATION SPEC<br>114-151004 | CAGE CODE<br>4AFU8                                                                                    | DRAWING NO<br>0462-201-16XX |   |       |   |       |   |       |   |        |   |                            |            |  |
| FINISH                                                                                                                                                                                                                                                     |   | WEIGHT<br>0.60g                | RESTRICTED TO<br>-                                                                                    |                             |   |       |   |       |   |       |   |        |   |                            |            |  |
| CUSTOMER DRAWING                                                                                                                                                                                                                                           |   |                                | SCALE<br>10:1                                                                                         | SHEET<br>1 OF 1             |   |       |   |       |   |       |   |        |   |                            |            |  |
|                                                                                                                                                                                                                                                            |   |                                | REV<br>B1                                                                                             |                             |   |       |   |       |   |       |   |        |   |                            |            |  |

NOTES:  
1. SEE APPLICATION SPECIFICATION 114-151004 FOR CRIMP TOOLS AND WIRE RANGE.

REVISIONS

| P | LTR | DESCRIPTION                 | DATE      | DWN | APVD |
|---|-----|-----------------------------|-----------|-----|------|
|   | A   | REVISED PER E.O. P15649     | 16JUN1998 | JW  | RDR  |
|   | B   | REVISED PER E.O P16308      | 04OCT1999 | DS  | DM   |
|   | C   | REVISED PER PCN E-18-001206 | 24JAN2018 | JA  | DM   |
|   | C1  | REVISED PER PCN E-19-018080 | 19NOV2019 | MK  | DM   |



| TE INTERNAL PN | DEUTSCH PN     | PLATING |
|----------------|----------------|---------|
| 0462-209-16141 | 0462-209-16141 | NICKEL  |
| 0462-209-1631  | 0462-209-1631  | GOLD    |

|                                        |  |                                |                                         |  |
|----------------------------------------|--|--------------------------------|-----------------------------------------|--|
| THIS DRAWING IS A CONTROLLED DOCUMENT. |  | DWN 02OCT1999<br>D. SPENCER    |                                         |  |
| DIMENSIONS:<br>INCHES [mm]             |  | CHK 04OCT1999<br>M. GONZALES   |                                         |  |
| TOLERANCES UNLESS OTHERWISE SPECIFIED: |  | APVD 04OCT1999<br>R. REED      | NAME<br>CONTACT SOCKET<br>SIZE 16       |  |
| 0 PLC ±                                |  | PRODUCT SPEC<br>108-151004     | SIZE CAGE CODE DRAWING NO RESTRICTED TO |  |
| 1 PLC ±                                |  | APPLICATION SPEC<br>114-151004 | A3 4AFU8 ©=0462-209-16XX -              |  |
| 2 PLC ±                                |  | WEIGHT<br>0.60g                | SCALE 10:1 SHEET 1 OF 1 REV C1          |  |
| 3 PLC ±                                |  | CUSTOMER DRAWING               |                                         |  |
| 4 PLC ±                                |  |                                |                                         |  |
| ANGLES ±                               |  |                                |                                         |  |
| MATERIAL FINISH                        |  |                                |                                         |  |

NOTES:  
 (C1) 1. SEE APPLICATION SPECIFICATION 114-151004 FOR CRIMP TOOLS AND WIRE RANGE.