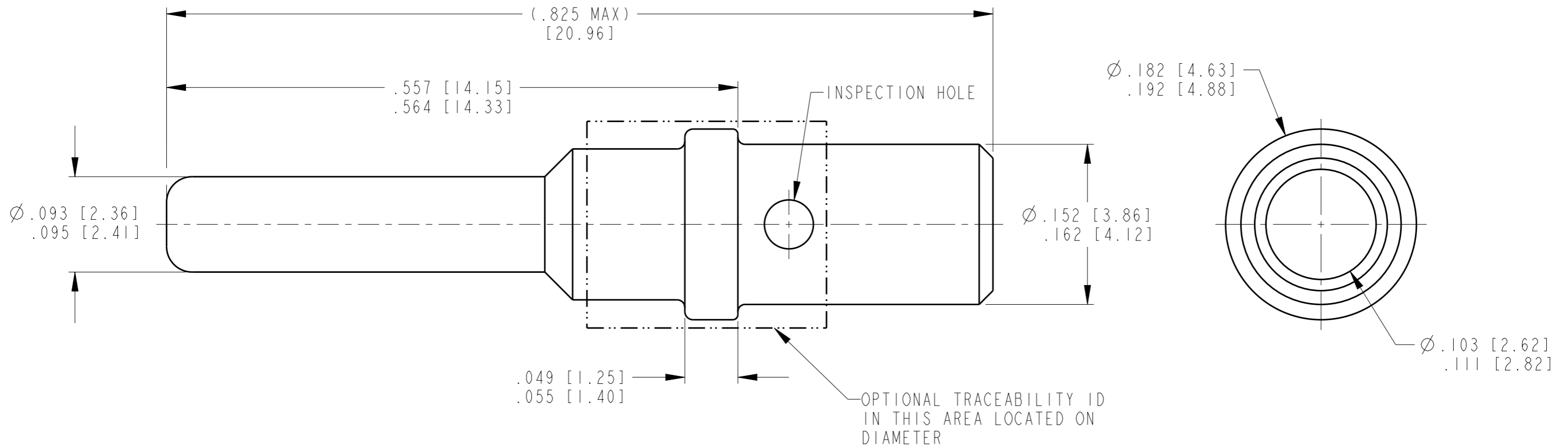


THIS DRAWING IS UNPUBLISHED
© COPYRIGHT 2005 BY TE CONNECTIVITY ALL RIGHTS RESERVED.

RELEASED FOR PUBLICATION 2018

REVISIONS

P	LTR	DESCRIPTION	DATE	DWN	APVD
	A	REVISED PER PCN E-18-001206	24JAN2018	JA	DM
	AI	REVISED PER PCN E-19-018080	19NOV2019	MK	DM



TE INTERNAL PN	DEUTSCH PN	PLATING
0460-204-12141	0460-204-12141	NICKEL

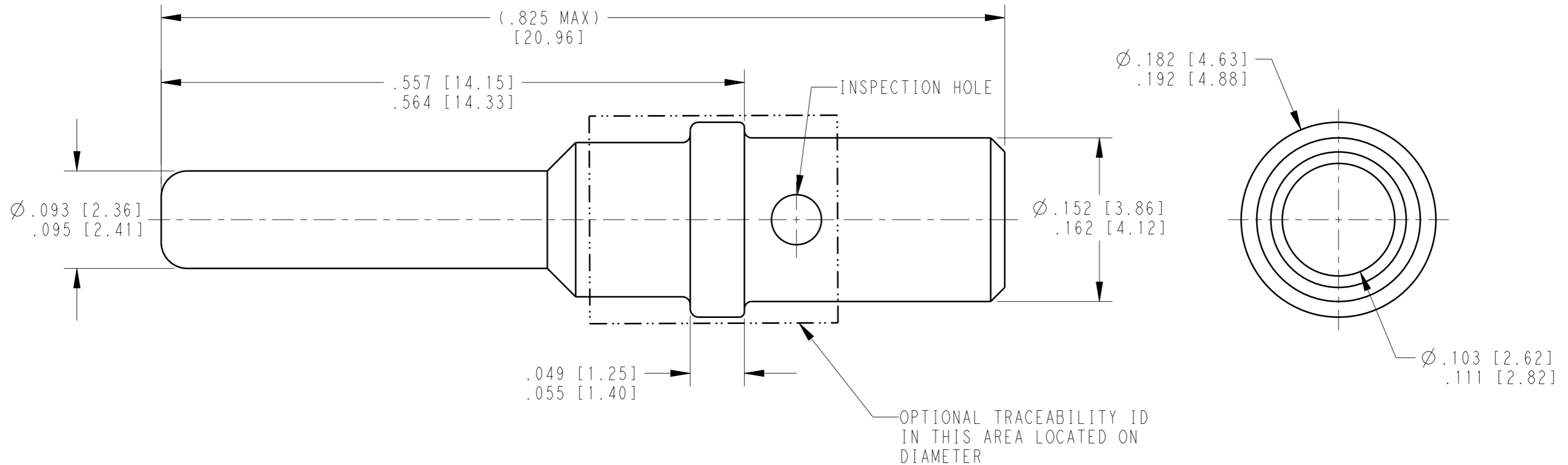
AI I. SEE APPLICATION SPECIFICATION 114-151004 FOR CRIMP TOOLS AND WIRE RANGE

NOTES:

THIS DRAWING IS A CONTROLLED DOCUMENT.		DWN	J. APOSTOL	08MAR2005	TE TE Connectivity													
DIMENSIONS: INCHES [mm]		CHK	B. BYFORD	14MAR2005														
TOLERANCES UNLESS OTHERWISE SPECIFIED:		APVD	R. REED	14MAR2005														
<table border="0"> <tr><td>0 PLC</td><td>±</td></tr> <tr><td>1 PLC</td><td>±</td></tr> <tr><td>2 PLC</td><td>±</td></tr> <tr><td>3 PLC</td><td>±</td></tr> <tr><td>4 PLC</td><td>±</td></tr> <tr><td>ANGLES</td><td>±</td></tr> </table>		0 PLC	±	1 PLC		±	2 PLC	±	3 PLC	±	4 PLC	±	ANGLES	±	PRODUCT SPEC	108-151004		NAME
0 PLC	±																	
1 PLC	±																	
2 PLC	±																	
3 PLC	±																	
4 PLC	±																	
ANGLES	±																	
MATERIAL		FINISH	114-151004		APPLICATION SPEC	114-151004												
		WEIGHT	1.27g		SIZE	A3	CAGE CODE	4AFU8	DRAWING NO	0460-204-12XX	RESTRICTED TO							
CUSTOMER DRAWING					SCALE	10:1	SHEET	1	OF	1	REV	AI						

REVISIONS


P	LTR	DESCRIPTION	DATE	DWN	APVD
	A	REDRAWN PER E.O. A13367	16MAR1993		JA
	B	REVISED AND REDRAWN PER EO P18855	14MAR2005	JA	RDR
	C	REVISED PER PCN E-18-001206	24JAN2018	JA	DM
	C1	REVISED PER PCN E-19-018080	19NOV2019	MK	DM



TE INTERNAL PN	DEUTSCH PN	PLATING
0460-220-1231	0460-220-1231	GOLD

(C1) 1. SEE APPLICATION SPECIFICATION 114-151004 FOR CRIMP TOOLS AND WIRE RANGE.

NOTES:

THIS DRAWING IS A CONTROLLED DOCUMENT.		DWN J. APOSTOL 04MAR2005	 TE Connectivity	
DIMENSIONS: INCHES [mm]		CHK B. BYFORD 14MAR2005		
TOLERANCES UNLESS OTHERWISE SPECIFIED:		APVD R. REED 14MAR2005	NAME CONTACT PIN SIZE 12	
0 PLC ±		PRODUCT SPEC 108-151004	SIZE A3	
1 PLC ±		APPLICATION SPEC 114-151004	CAGE CODE 4AFU8	DRAWING NO C=0460-220-12XX
2 PLC ±		WEIGHT	RESTRICTED TO -	
3 PLC ±		CUSTOMER DRAWING	SCALE 10:1	SHEET 1 OF 1
4 PLC ±			REV C1	
ANGLES ±				
FINISH				
MATERIAL				