

## Two Position .187 Series Sealed Connector

### Contacts

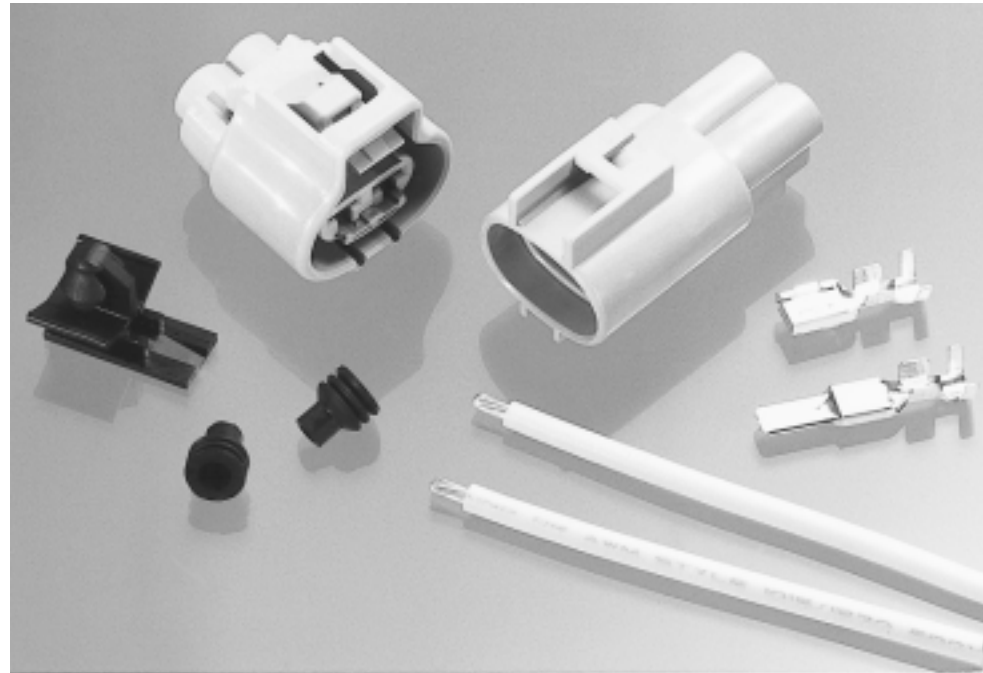
- .187 Series contacts  
4.8 mm [.187 in.] tab  
contact width
- Tab and receptacle contacts  
are manufactured from  
pre-tin plated brass
- Lanceless contact design to  
reduce contact tangling
- Wire range 0.5 - 3.0 mm<sup>2</sup>  
[#20 - #12 AWG]

### Wire Seals

- Seals are produced from  
NBR material
- Loose piece seals are  
applied to the wire simul-  
taneously with the contact
- For wire insulation  
diameters of 1.8 - 3.8 mm  
[.071 - .150 in.]

### Connector Housings

- Produced from PBT  
material
- Protected locking lever
- Integral secondary locking  
mechanism



The AMP .187 Series Sealed Connector was originally developed for use in automotive engine compartments (specifically the cooling fan). This connector is suitable for use in most applications requiring a robust connector design along with waterproof protection.

Waterproof protection is provided by individual wire seals which are inserted over the wire prior to crimping the contact. The wire seal is crimped simultaneously with the insulation support of the contact.

The plug housing includes a factory installed interface seal for sealing against the cap housing.

Connector housings incorporate pre-assembled secondary locks to increase contact retention and reduce the possibility of contact damage during mating or unmating.

All sealing surfaces are located inside of the connector housing to help eliminate the possibility of damage during handling.

### Product Performance

#### Temperature Rating

Temperature range -30° to 105° C.  
(including rise due to current load).

#### Termination Resistance

3 mΩ (Initial)  
10 mΩ (Final)

#### Dielectric Withstanding Voltage

1.0 kVAC between adjacent contacts.

#### Current Guidelines

See page 3 of product specification  
108-5294 for information.

### Product Documentation

#### Product Specification

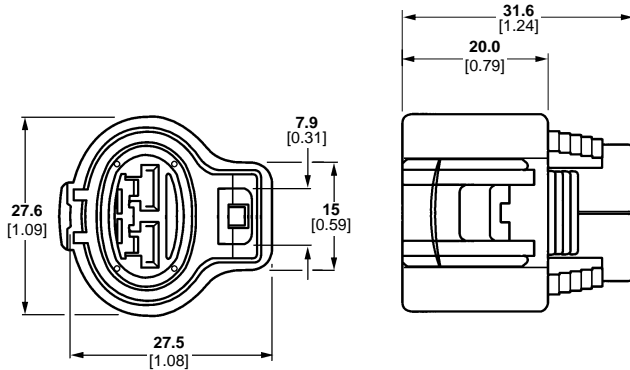
108-5294

#### Application Specification

114-5126

## Two Position .187 Series Sealed Connector (Continued)

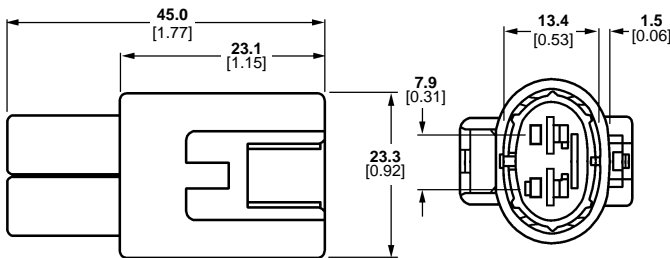
### Plug Housing . . . Use With Receptacle Contacts



Includes factory installed silicon rubber interface seal.

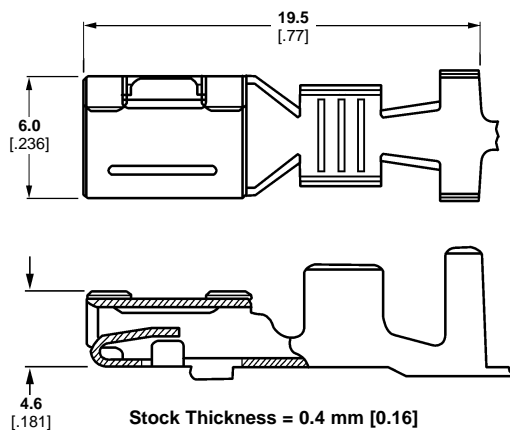
Part Number	Material	Color
6-176146-6	PBT	Light Gray

### Cap Housing . . . Use With Tab Contacts



Part Number	Material	Color
6-176143-6	PBT	Light Gray

### Receptacle Contact (available in strip form only) . . . Use With Plug Housing

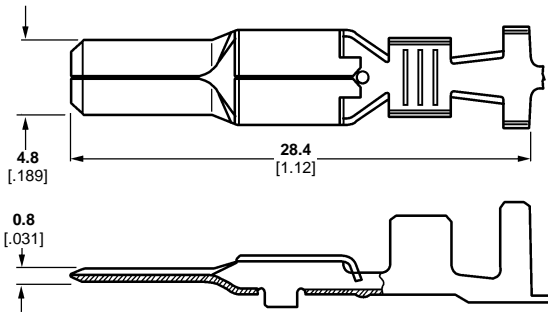


Receptacle contacts are manufactured from 0.40 [.016] thick material.

Part Number	Wire Range mm <sup>2</sup> /AWG	Wire Ins. Dia. mm/inches	Material & Finish
175090-1	0.5-1.25 [20-16]	2.0-2.7 [.079-.106]	Pre-Tin Plated Brass
175091-1	2.0-3.0 [14-12]	2.9-3.8 [.114-.150]	

## Two Position .187 Series Sealed Connector (Continued)

Tab Contact (available in strip form only) . . . Use With Cap Housing

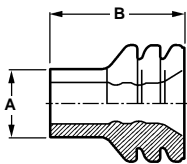


Stock Thickness = 0.4 [0.16]

Tab contacts are manufactured from 0.4 [.016] thick material.

Part Number	Wire Range mm <sup>2</sup> /AWG	Wire Ins. Dia. mm/inches	Material & Finish
175087-1	0.5-1.25 [20-16]	2.0-2.7 [.079-.106]	Pre-Tin Plated Brass
175088-1	2.0-3.0 [14-12]	2.9-3.8 [.114-.150]	

### Wire Seals



Wire Range mm <sup>2</sup> /AWG	Wire Insulation Diameter mm/Inches	Material & (Color)	Dim. "A" mm/Inches	Dim. "B" mm/Inches	Use With Contact	Part Number
0.5-1.25 [20-16]	2.0-2.7 [.079-.106]	NBR Gray	7.9 [.311]	9.1 [.358]	175087-1 or 175090-1	85024-1
2.0-3.0 [14-12]	2.9-3.8 [.114-.150]	NBR Black	7.9 [.311]	9.0 [.354]	175088-1 or 175091-1	85011-1