

Receptacle Contacts

**Technical Features**

**Contact Material:**

CuSn, CuFe  
Cantilever Spring: Stainless Steel

**Contact Finish:**

pre-tin plated, gold plated

**Wire Size Range:**

0.2–1.5 mm<sup>2</sup> FLR  
(thin walled wire)

**Contact Resistance (New State):**

CuSn: <5 mΩ  
CuFe: <4 mΩ

**Total Temperature max.:**

–40 °C to +120 °C (tin plated)  
–40 °C to +140 °C (gold plated)

**Mating Cycles:**

10 (tin plated)  
100 (gold plated)

**Insertion Force\*:**

max. 5 N (proof tab 0.8 mm thick)

**Extraction Force\*:**

min. 2 N (proof tab 0.8 mm thick)

**Retention Force (from Housing):**

– without second locking device  
>25 N  
– second locking device only  
>100 N

depends on housing material

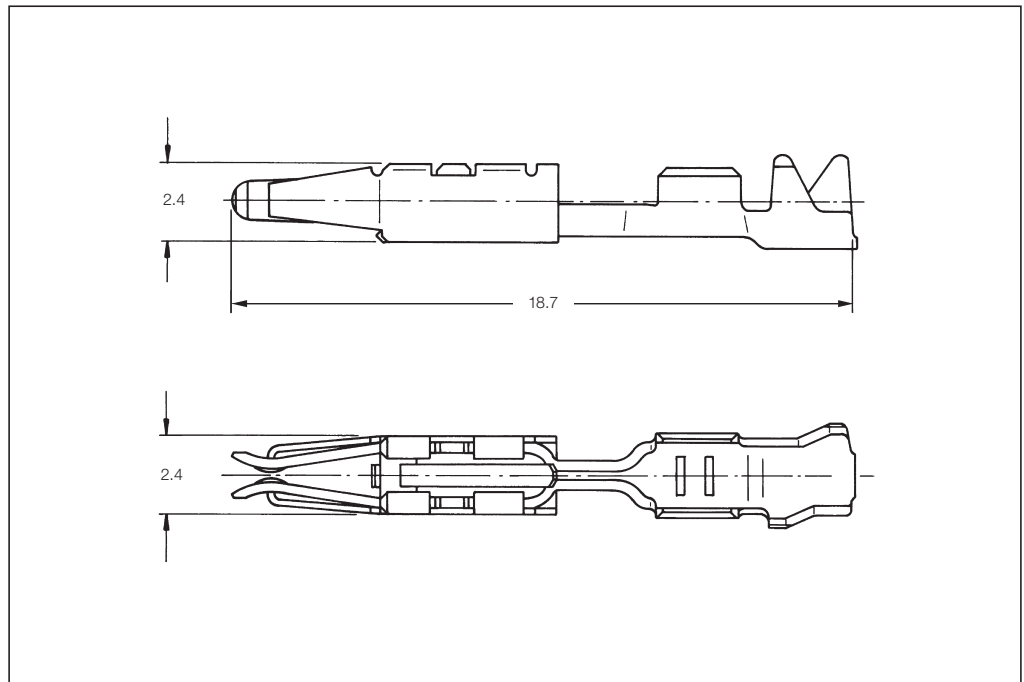
**Dimensions of Male Contacts:**

1.6 mm x 0.8 mm

**Product Group Drawing:**

1703333

\*) Measured with an Steel Test Tab  
(see Product Spec. 108-18279).



**Extraction Tool:**  
Part No. **5-1579007-5**

**Product Specification:**  
108-18024

**Application Specification:**  
114-18163

**Max. Current in 9 Position Housing**

Material	Temperature (° C)	Current Carrying Capacity (Ampere)		
		0.35 mm <sup>2</sup>	0.50 mm <sup>2</sup>	0.75 mm <sup>2</sup>
CuSn	20	3.0	5.0	8.0
	90	1.5	2.0	4.0
CuFe	20	4.0	6.0	10.0
	90	1.5	2.5	5.0

**Standard Receptacle Contacts**

Wire Size Range (mm <sup>2</sup> )	Insulation Diameter (mm)		Material and Finish*	Part Numbers					
	FLK	FLR		Strip Form	Package Quantity	Loose-Piece	Package Quantity	Applicator <sup>♦</sup>	Hand Tool
0.2–0.5	–	1.2–1.6	-1 / -2 / -3 / -4	929950	7,500	929951	500	1528493	
0.35–0.75	–	1.2–1.9	-1 / -2 / -3 / -4	928939	6,000	929927	1,000	on request	2063538-1
0.5–1.0	–	1.4–2.1	-1 / -2 / -3 / -4 / -7 / -8	929952	6,000	929953	500	1528020	
1.0–1.5	–	1.9–2.4	-1 / -2 / -3 / -4	929954	5,000	929955	500	1528706	

\*) **Material and Finish:**

- xxx-1 = CuSn, pre-tin plated
- xxx-2 = CuSn, gold plated
- xxx-3 = CuFe, pre-tin plated
- xxx-4 = CuFe, gold plated
- xxx-7 = CuSn, gold plated, short-circuit execution
- xxx-8 = CuFe, gold plated, short-circuit execution

♦) The pre- and suffix for the applicators depends on the applied termination equipment.

Receptacle Contacts

**Technical Features**

**Contact Material:**

CuSn, CuFe, CuNiSi  
Cantilever Spring: Stainless Steel

**Contact Finish:**

pre-tin plated, gold plated

**Wire Size Range:**

0.2–0.5 mm<sup>2</sup> (FLR)  
0.5–1.0 mm<sup>2</sup> (FLR)  
1.5 mm<sup>2</sup> (FLR)

**Contact Resistance (New State):**

CuSn: <5 mΩ  
CuFe: <4 mΩ

**Total Temperature max.:**

–40 °C to +120 °C (tin plated)  
–40 °C to +140 °C (gold plated)

**Mating Cycles:**

10 (tin plated)  
100 (gold plated)

**Insertion Force\*:**

max. 4 N (proof tab 0.6 mm thick)

**Extraction Force\*:**

min. 2 N (proof tab 0.6 mm thick)

**Retention Force (from Housing):**

– without second locking device  
> 25 N  
– second locking device only  
> 100 N  
depends on housing material

**Dimensions of Male Contacts:**

1.6 x 0.6 mm = Micro Timer II  
1.6 x 0.8 mm = Micro Timer III

**Modular Dimensions:**

3.25 mm x 4.0 mm (smallest)

**Version in Single Seal:**

4.0 mm x 4.0 mm (smallest)

**Extraction Tool:**

Part No. **539960-1**

**Product Group Drawings:**

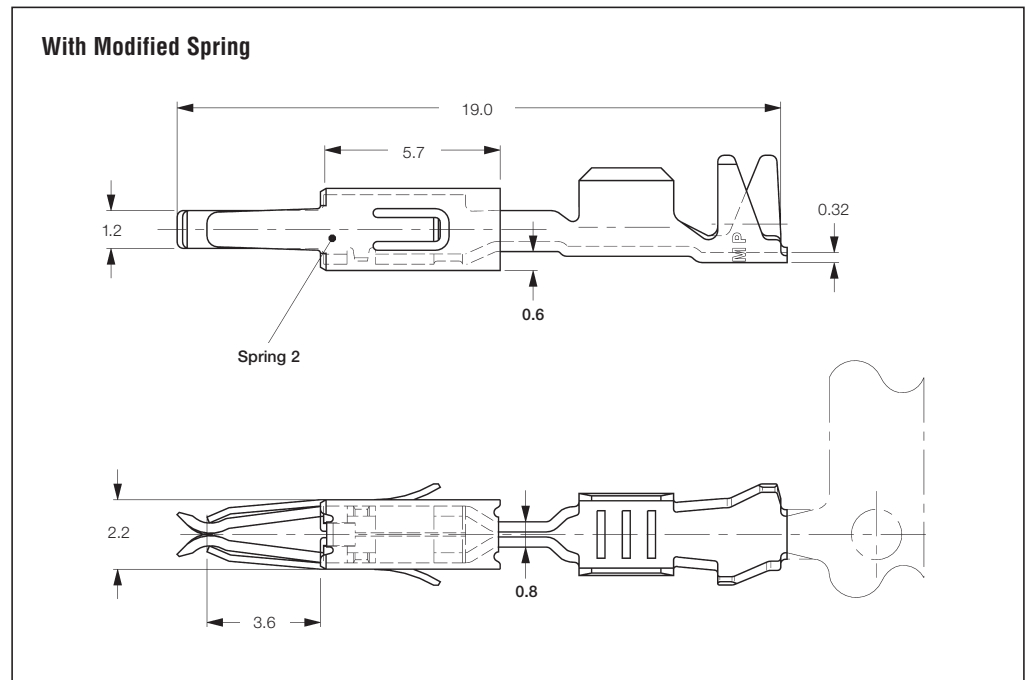
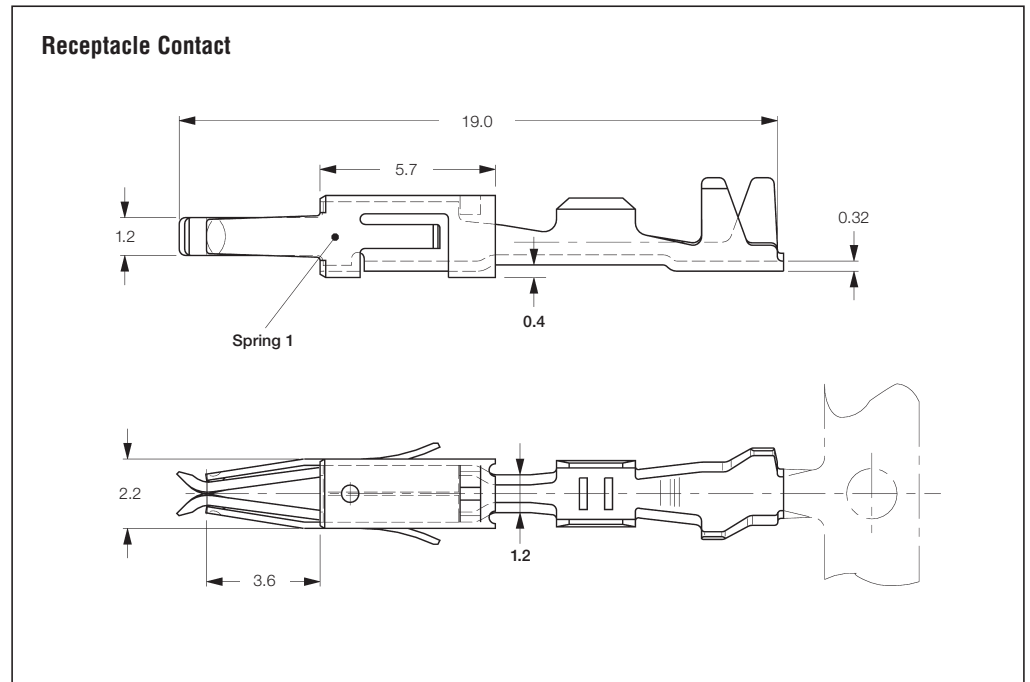
1355045 = Micro Timer II  
1241916 = Micro Timer III

**Product Specifications:**

108-18055 = Micro Timer II  
108-18386 = Micro Timer III

**Application Specification:**

114-18081



**Max. Current in 68 Position Housing**

Material	Temperature (° C)	Current Carrying Capacity (Ampere)		
		0.35 mm <sup>2</sup>	0.50 mm <sup>2</sup>	0.75 mm <sup>2</sup>
CuSn	20	3.0	5.0	8.0
	90	1.5	2.0	4.0
CuFe	20	4.0	6.0	10.0
	90	1.5	2.5	5.0

\*) Measured with an Steel Test Tab (see Product Spec. 108-18279).

\*\*) **Note:** Micro Timer III is made for diagnosis applications.

Receptacle Contacts (continued)

**Standard Receptacle Contacts**

Wire Size Range (mm <sup>2</sup> )	Insulation Diameter (mm)		Material and Finish *	Part Numbers					
	FLK	FLR		Strip Form	Package Quantity	Loose-Piece	Package Quantity	Applicator ♦	Hand Tool
0.2-0.5	-	1.15-1.60	-1 / -2 / -3 / -4 / -5 / -6	962942 1)	7,000	962944 1)	500	1528061	2063409-1
0.5-1.0	-	1.4-2.1	-1 / -2 / -3 / -4 / -5 / -6	962943 1)	6,000	962945 1)	500	1528256	
			-1 / -2	964150 1) 3)	5,000	964151 1) 3)	500	1528096	
0.2-0.5	-	1.15-1.60	-1 / -2	965914 6)	6,000	965915 6)	500	1528061	
0.5-1.0	-	1.4-2.1	-1	968052 5)	6,000	968053 5)	500	1528256	
			-1	969022 6)	6,000	969023 6)	500	1528304	

**Receptacle Contacts with Single Wire Sealing System**

Wire Size Range (mm <sup>2</sup> )	Insulation Diameter (mm)		Material and Finish *	Part Numbers					
	FLK	FLR		Strip Form	Package Quantity	Loose-Piece	Package Quantity	Applicator ♦	Hand Tool
0.2-0.5	-	1.2-1.6	-1 / -2 / -3 / -5	962875 1)	4,000	963710 1)	500	1528281	2063265-1
0.5-1.0	-	1.4-2.1	-1 / -2 / -3 / -5 / -6	962876 1)	4,000	963711 1)	500	1528054	
1.5	-	2.2-2.4	-1	1703414	4,000	1703415	500	1528772	-

**Standard Receptacle Contacts with Modified Spring**

Wire Size Range (mm <sup>2</sup> )	Insulation Diameter (mm)		Material and Finish *	Part Numbers					
	FLK	FLR		Strip Form	Package Quantity	Loose-Piece	Package Quantity	Applicator ♦	Hand Tool
0.2-0.5	-	1.15-1.60	-2 / -3 / 4-xxx-1	964261 2)	7,500	964262 2)	500	1528091	2063409-1
0.5-1.0	-	1.4-2.1	-2 / -3 / 4-xxx-1	964263 2)	6,000	964264 2)	500	1528092	
			-2	964348 2) 3)	5,500	964349 2) 3)	500	1528096	
1.5	-	2.2-2.4	-2 / -3	1241844 2)	5,000	1241845 2)	500	1528123	-
0.2-0.5	-	1.15-1.60	-2 / 4-xxx-1	1241858 5)	7,500	1241859 5)	500	1528091	2063409-1
0.5-1.0	-	1.4-2.1	-2 / -7 / 4-xxx-1	1241860 5)	6,000	1241861 5)	500	on request	

**Receptacle Contacts with Modified Spring and Single Wire Sealing System**

Wire Size Range (mm <sup>2</sup> )	Insulation Diameter (mm)		Material and Finish *	Part Numbers					
	FLK	FLR		Strip Form	Package Quantity	Loose-Piece	Package Quantity	Applicator ♦	Hand Tool
0.2-0.5	-	1.15-1.60	-1 / -2 / -6	968045 1)	4,000	968046 1)	500	1528281	2063409-1
			-2 / -3 / -6 / 4-xxx-1	969005 2)	4,500	969019 2)	500	1528068	
0.5-1.0	-	1.4-2.1	-2 / -3 / -6 / 4-xxx-1	964274 2)	4,000	964275 2)	500	1528261	
			-1 / -2 / -6	968015 1)	4,000	968016 1)	500	1528054	
0.2-0.5	-	1.15-1.60	-2 / 4-xxx-1	1241730 5)	4,500	1241731 5)	500	1528068	
0.5-1.0	-	1.4-2.1	-2 / 4-xxx-1	1241732 5)	4,000	1241733 5)	500	1528261	

**\*) Material and Finish:**

- xxx-1 = CuSn4, pre-tin plated
- xxx-2 = CuFe2, pre-tin plated
- xxx-3 = CuSn4, gold plated
- xxx-4 = CuSn4, gold plated, short-circuit execution
- xxx-5 = CuFe2, gold plated
- xxx-6 = CuSn4, special gold plated
- xxx-7 = CuNi12Zn24, plain
- 4-xxx-1 = CuNiSi, gold plated

**Remarks:**

- 1) = With Spring 1
- 2) = With Spring 1 or Spring 2
- 3) = For Double and Single Termination

**Micro Timer III:**

- 5) = Gap Size 0.2 mm
- 6) = Gap Size 0.35 mm

♦) The pre- and suffix for the applicators depends on the applied termination equipment.

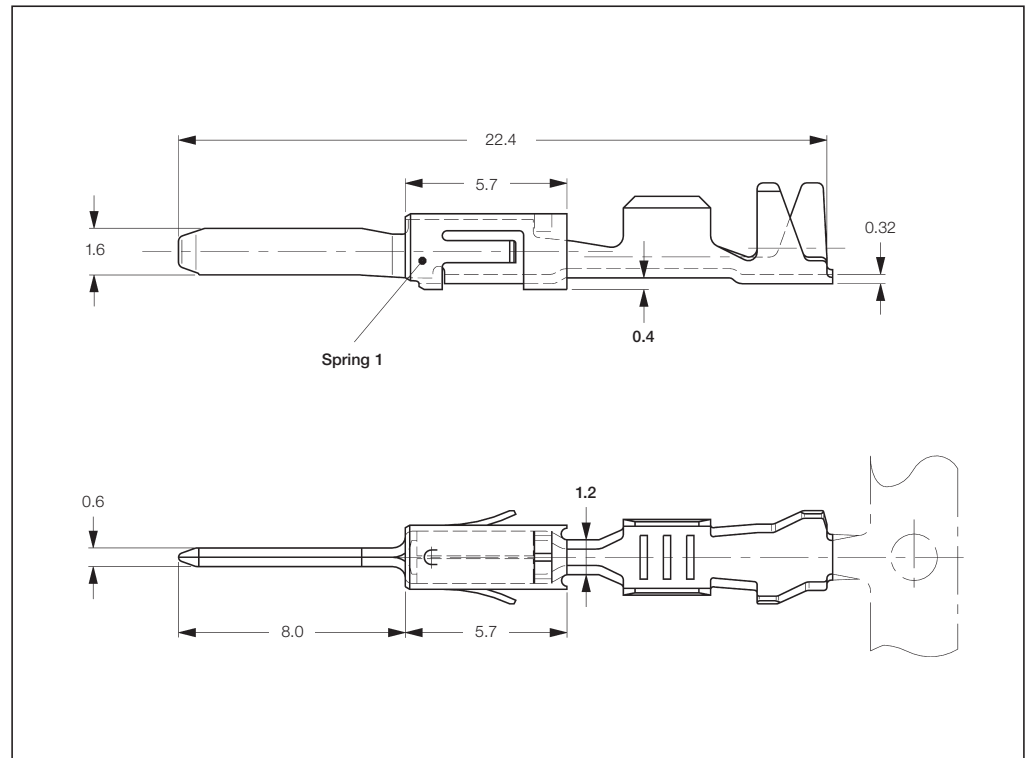
Tab Contacts

**Tabs 1.6 x 0.6 mm  
with Steel Top Spring,  
Mates with  
Micro Timer II**

**Extraction Tool:**  
Part No. **539960-1**

**Product Specification:**  
108-18331

**Application Specification:**  
114-18082



**Standard Tab Contacts**

Wire Size Range (mm <sup>2</sup> )	Insulation Diameter (mm)		Material and Finish*	Part Numbers				Applicator ♦	Hand Tool
	FLK	FLR		Strip Form	Package Quantity	Loose-Piece	Package Quantity		
0.2-0.5	-	1.15-1.60	-1 / -2 / -3	963898 1)	7,000	963899 1)	500	1528061	2063265-1
0.5-1.0	-	1.4-2.1	-1 / -2 / -3 / -4	963900 1)	6,000	963901 1)	500	1528256	

**Tab Contacts with Single Wire Sealing System**

Wire Size Range (mm <sup>2</sup> )	Insulation Diameter (mm)		Material and Finish*	Part Numbers				Applicator ♦	Hand Tool
	FLK	FLR		Strip Form	Package Quantity	Loose-Piece	Package Quantity		
0.2-0.5	-	1.15-1.60	-1 / -2 / -3	963902 1)	4,000	963903 1)	500	1528281	2063265-1
0.5-1.0	-	1.4-2.1	-1 / -2 / -3	963904 1)	4,000	963905 1)	500	1528054	

**\*) Material and Finish:**  
xxx-1 = CuSn4, pre-tin plated  
xxx-2 = CuFe2, pre-tin plated  
xxx-3 = CuSn4, gold plated  
xxx-4 = CuSn4, gold plated

**Remarks:**  
**1)** = With Spring 1

**♦)** The pre- and suffix for the applicators depends on the applied termination equipment.

Tab Contacts

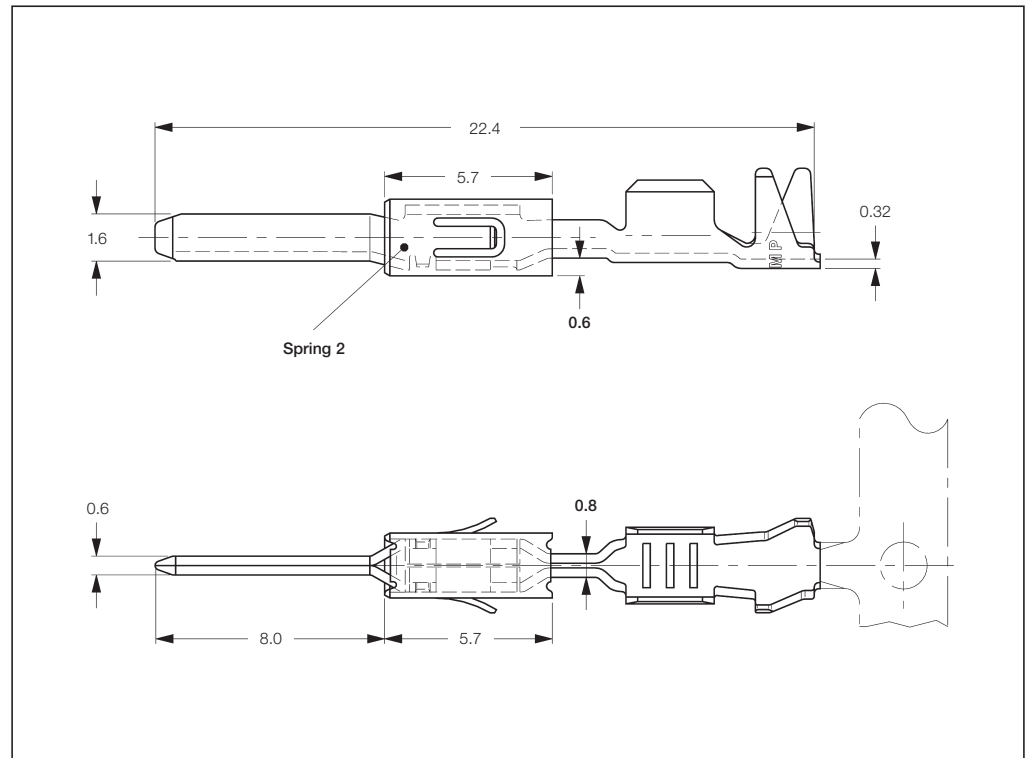
**Tabs 1.6 x 0.6 mm  
with Modified  
Steel Top Spring,  
Mates with  
Micro Timer II**

**Extraction Tool:**  
Part No. **539960-1**

**Product Group Drawing:**  
1355055

**Product Specification:**  
108-18331

**Application Specification:**  
114-18082



**Standard Tab Contacts with Modified Spring**

Wire Size Range (mm <sup>2</sup> )	Insulation Diameter (mm)		Material and Finish*	Part Numbers				Applicator ♦	Hand Tool
	FLK	FLR		Strip Form	Package Quantity	Loose-Piece	Package Quantity		
0.2-0.5	-	1.15-1.60	-2 / -3	964265 2)	7,500	964266 2)	500	1528091	
0.5-1.0	-	1.4-2.1	-2 / -3	969079 2) 3)	5,500	969080 2) 3)	500	1528096	2063409-1
			-1 / -2 / -3	964267 2)	6,000	964268 2)	500	1528092	
1.5	-	2.2-2.4	-1 / -2 / -3	1241846 2)	4,000	1241847 2)	500	1528123	-

**Tab Contacts with Modified Spring and Single Wire Sealing System**

Wire Size Range (mm <sup>2</sup> )	Insulation Diameter (mm)		Material and Finish*	Part Numbers				Applicator ♦	Hand Tool
	FLK	FLR		Strip Form	Package Quantity	Loose-Piece	Package Quantity		
0.2-0.5	-	1.2-1.6	-2 / -3	969028 2)	4,000	969029 2)	500	1528068	
0.5-1.0	-	1.4-2.1	-2 / -3	964269 2)	4,000	964270 2)	500	1528261	2063409-1
			-1	1703278	4,000	1703279	500	1528579	-

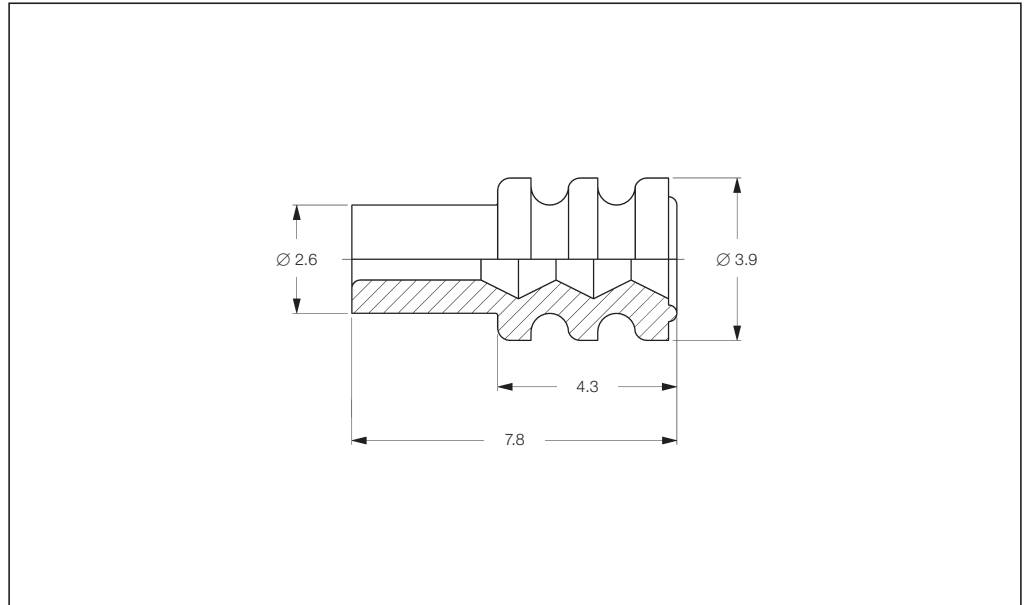
\*) **Material and Finish:**  
xxx-1 = CuSn4, pre-tin plated  
xxx-2 = CuFe2, pre-tin plated  
xxx-3 = CuSn4, gold plated

**Remarks:**  
2) = With Spring 1 or Spring 2  
3) = For Double and Single Termination

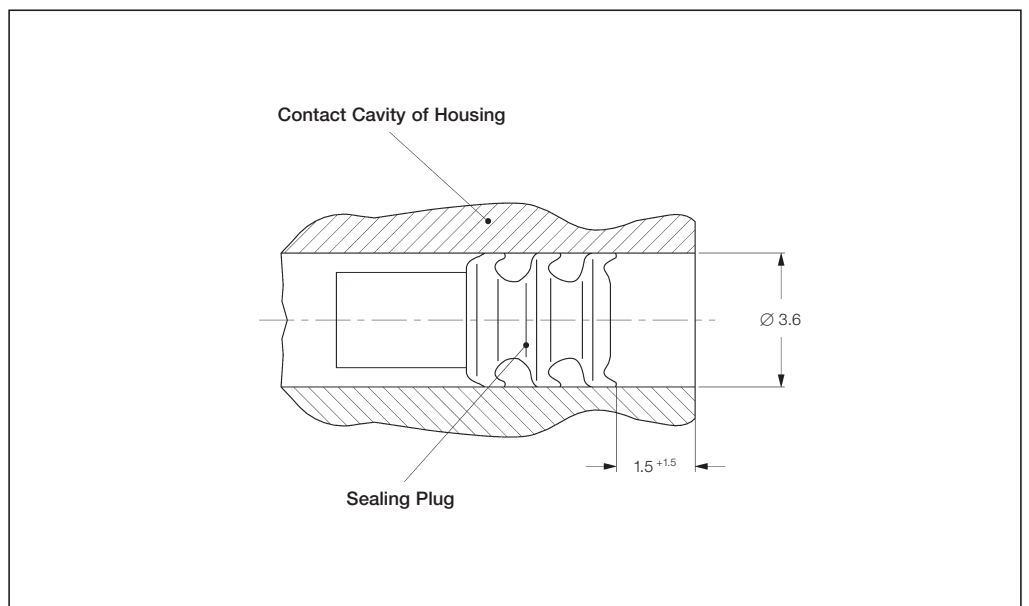
♦) The pre- and suffix for the applicators depends on the applied termination equipment.

Single Wire Seals and Sealing Plugs

**Single Wire Seals and Sealing Plugs for Micro Timer II; Micro Timer III and 1.6 mm Tabs**



Insulation Diameter (mm)	Color	Part Number	Package Quantity
0.35–0.50	Blue	1394133-1	10,000
0.9–1.2	Green	1718705-1	10,000
1.2–1.6	Red	964971-1	10,000
1.4–1.9	Gray	963530-1	10,000
1.9–2.4	Yellow	964972-1	10,000
Sealing Plug	White	963531-1	10,000
	Natural	1394132-1	10,000



Receptacle Housings

**Technical Features**

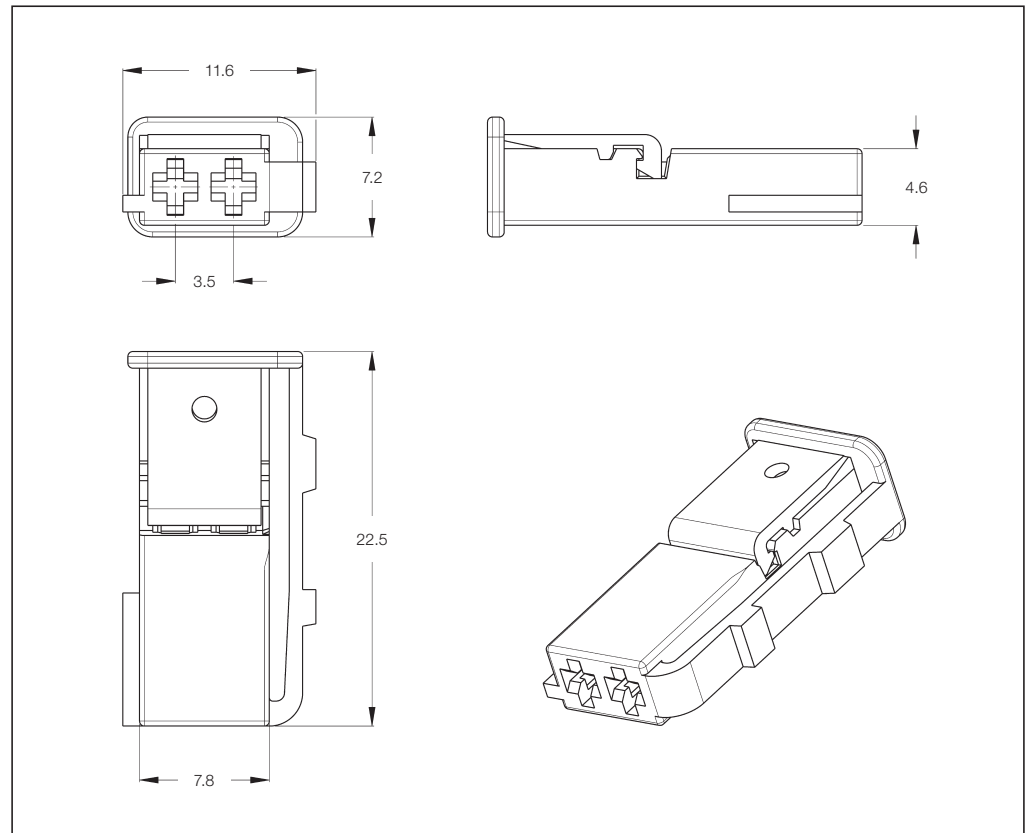
**No. of Positions:**  
2 Position Type A

**Housing Material:**  
PBT GF20

**Wire Size Range:**  
0.35–1.5 mm<sup>2</sup>

**Product Specification:**  
108-94118

**Application Specification:**  
114-18901



**2 Position Receptacle Housings**

No. of Pos.	Keying Options	Housing Color	Part Numbers						
			Receptacle Housing	Cover	Locking Device	Cover and Lever	Mating Tab Housing	Mating PCB Header Right-Angle	Mating PCB Header Vertical
2	-	Black	1563189-1	-	-	-	1563190-1	-	-
		Natural	1563189-3	-	-	-	1-929103-1	-	-

Receptacle Housings

**Technical Features**

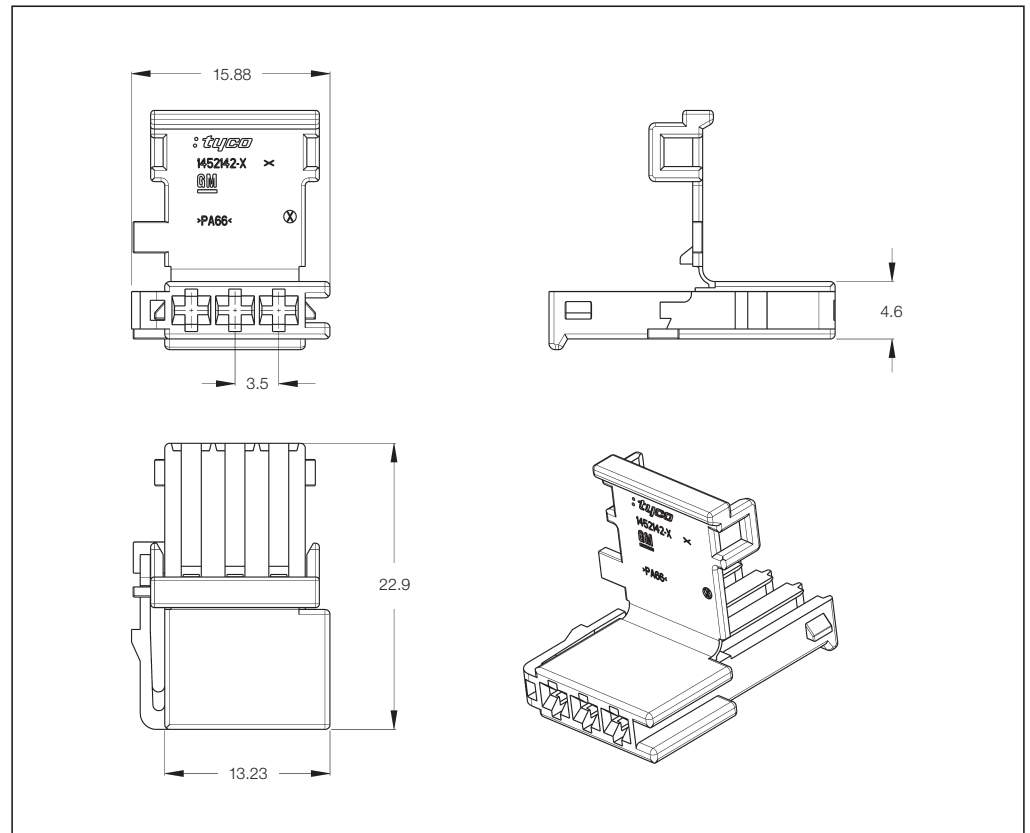
**No. of Positions:**  
3 Position Type A

**Housing Material:**  
PA66

**Wire Size Range:**  
0.35–1.5 mm<sup>2</sup>

**Product Specification:**  
108-18822

**Application Specification:**  
114-18515



**3 Position Receptacle Housings**

No. of Pos.	Keying Options	Housing Color	Part Numbers						
			Receptacle Housing	Cover	Locking Device	Cover and Lever	Mating Tab Housing	Mating PCB Header Right-Angle	Mating PCB Header Vertical
3	-	Black	1452142-1	-	-	-	3-962342-1	-	-
		Gray	1452142-2	-	-	-	-	-	-



Tab Housings

**Technical Features**

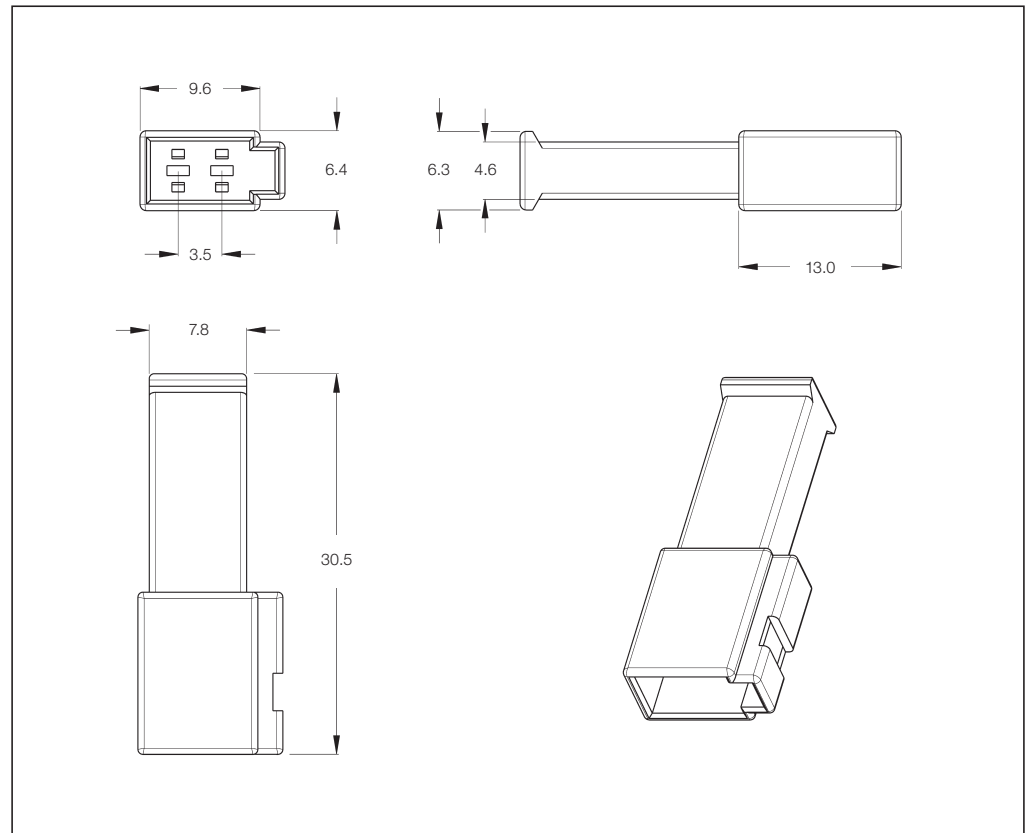
**No. of Positions:**  
2 Positions

**Housing Material:**  
PBT GF20

**Wire Size Range:**  
0.35– 0.75 mm<sup>2</sup>

**Product Specification:**  
—

**Application Specification:**  
—



**2 Position Tab Housings**

No. of Pos.	Keying Options	Housing Color	Part Numbers						
			Tab Housing	Cover	Locking Device	Cover and Lever	Mating Receptacle Housing	Mating PCB Header Right-Angle	Mating PCB Header Vertical
2	—	Black	1-929103-1	—	—	—	1563189-3	—	—

Tab Housings

**Technical Features**

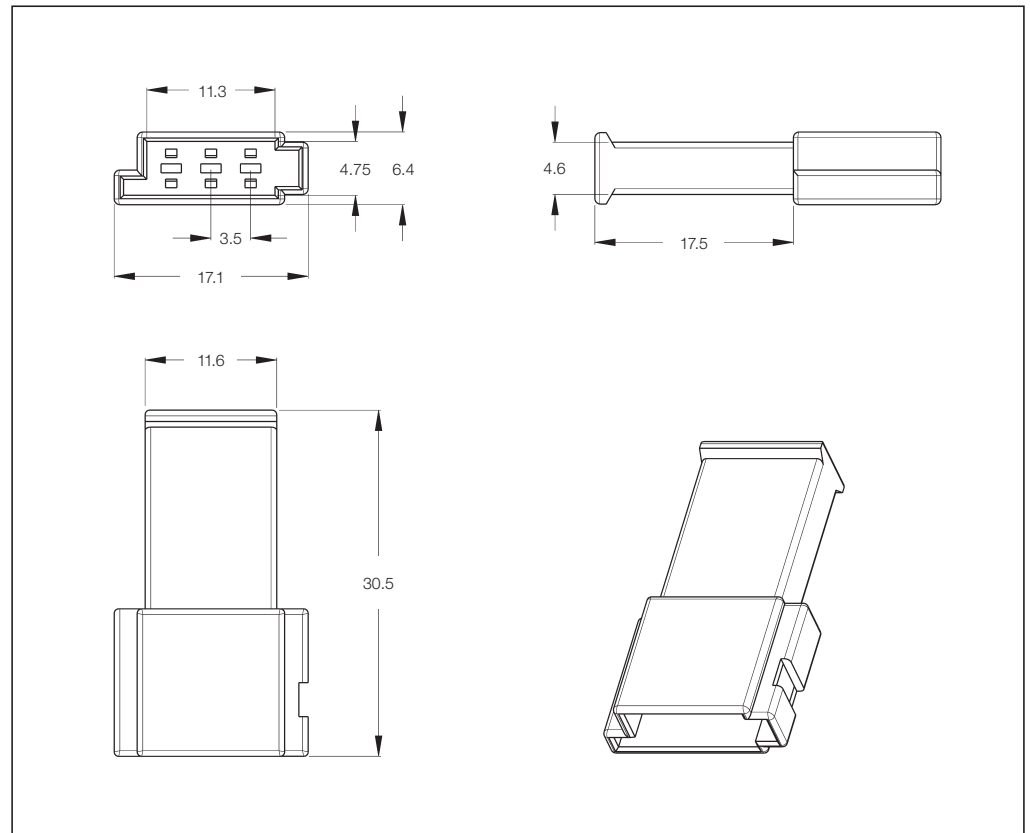
**No. of Positions:**  
3 Positions

**Housing Material:**  
PBT GF20

**Wire Size Range:**  
0.3–0.75 mm<sup>2</sup>

**Product Specification:**  
—

**Application Specification:**  
—



**3 Position Tab Housings**

No. of Pos.	Keying Options	Housing Color	Part Numbers							
			Tab Housing	Cover	Locking Device	Cover and Lever	Mating Receptacle Housing	Mating PCB Header Right-Angle	Mating PCB Header Vertical	
3	A1	Black	1-962342-1					1452142-1		
	A2	Orange	1-962342-2					1452142-1		
	B1	Gray	2-962342-1	—	—	—		1452142-2	—	—
	B2	Orange	2-962342-2					1452142-2		
	N	White	3-962342-1					—		

Receptacle Housings

**Technical Features**

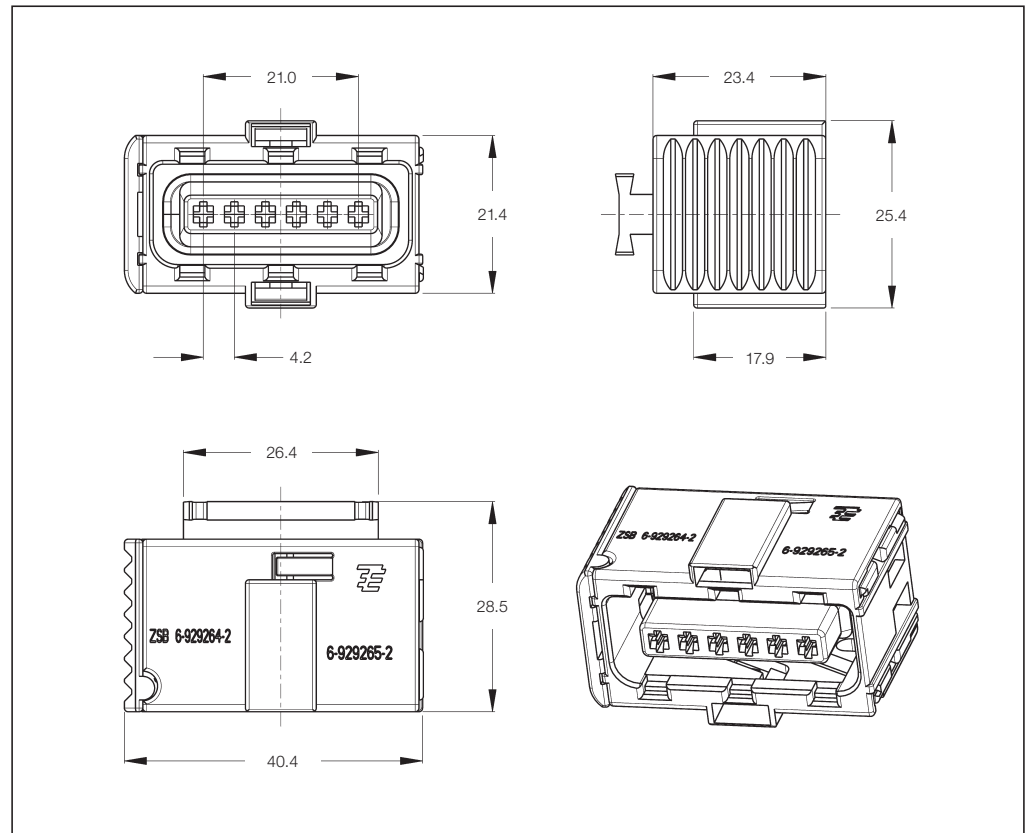
**No. of Positions:**  
6 Position Assy

**Housing Material:**  
PA66 GF30

**Wire Size Range:**  
0.5–1.0 mm<sup>2</sup>

**Product Specification:**  
108-18633

**Application Specification:**  
114-18272



**6 Position Receptacle Housings with Slide**

No. of Pos.	Keying Options	Housing Color	Part Numbers							
			Receptacle Housing	Cover	Locking Device	Cover and Lever	Retainer Housing	Mating Tab Housing	Mating PCB Header Right-Angle	Mating PCB Header Vertical
6	–	Black	6-929264-2	–	–	–	–	–	–	–

Receptacle Housings

**Technical Features**

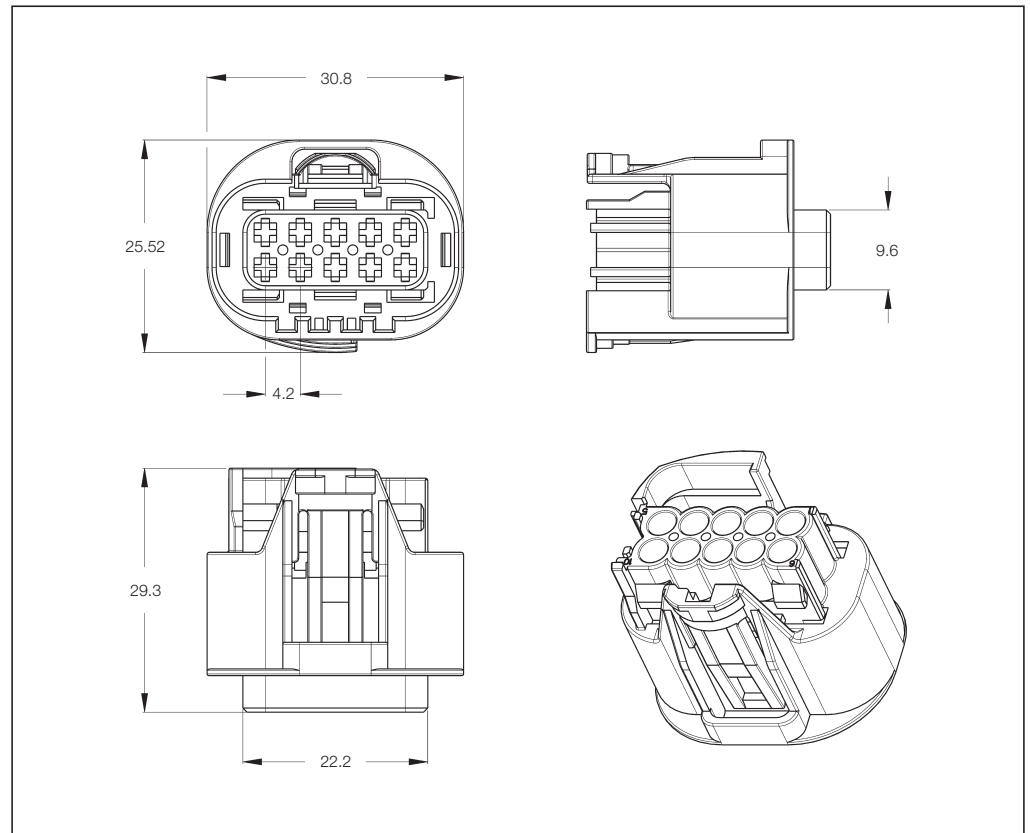
**No. of Positions:**  
10 Position Assy

**Housing Material:**  
PBT GF20

**Wire Size Range:**  
0.2–1.0 mm<sup>2</sup>

**Product Specification:**  
108-18816-1

**Application Specification:**  
114-18485-1



**10 Position Receptacle Housings**

No. of Pos.	Keying Options	Housing Color	Part Numbers							Mating PCB Header Right-Angle	Mating PCB Header Vertical
			Receptacle Housing	Cover	Locking Device	Cover and Lever	Retainer Housing	Mating Tab Housing			
10	–	Black	1452545-1	–	–	–	–	–	1452546-1	–	–

Receptacle Housings

**Technical Features**

**No. of Positions:**

22 + 4 Position  
Micro Timer II + Standard  
Power Timer Assy with Slide

**Housing Material:**

PBT GF15

**Wire Size Range:**

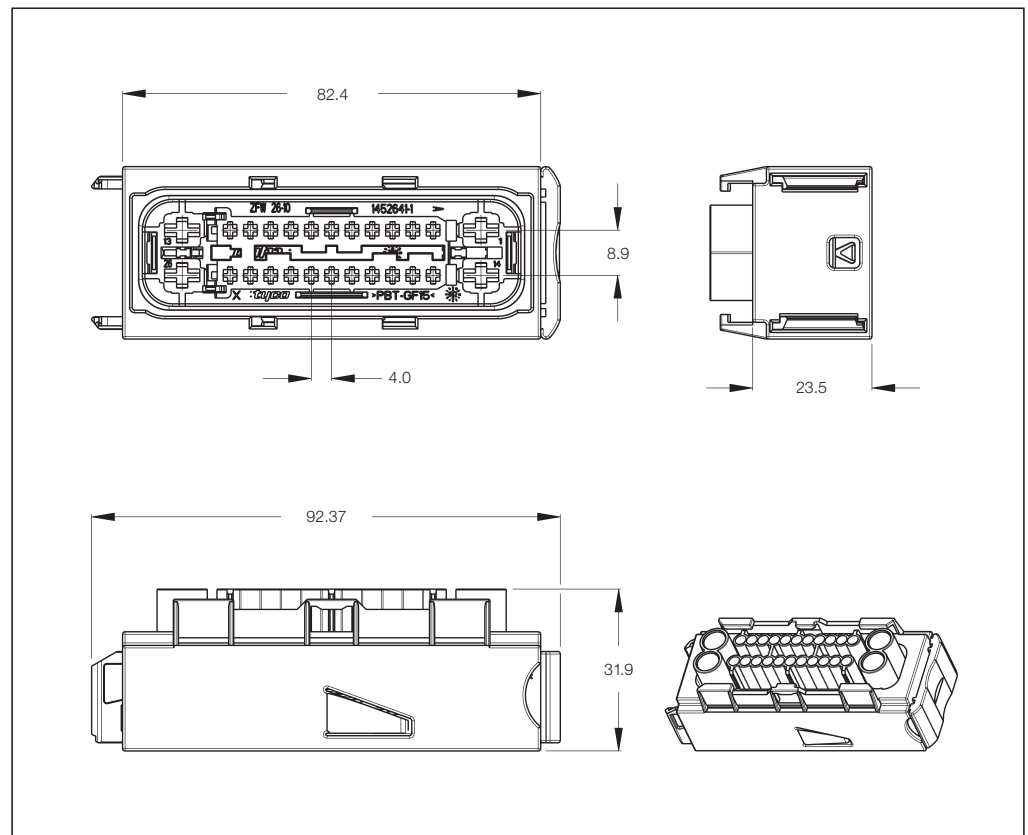
MTII: 0.35–1.0 mm<sup>2</sup>  
SPT: 0.50–4.0 mm<sup>2</sup>

**Product Specification:**

108-18792-1

**Application Specification:**

114-18480-1



**22 + 4 Position Receptacle Housings**

No. of Pos.	Keying Options	Housing Color	Part Numbers							
			Receptacle Housing	Cover	Locking Device	Cover and Lever	Retainer Housing	Mating Pin Housing	Mating PCB Header Right-Angle	Mating PCB Header Vertical
22 + 4	–	Black	1452643-1	1452644-1	–	–	–	–	–	–

Receptacle Housings

**Technical Features**

**No. of Positions:**

30 Position  
Micro Timer II + Junior  
Power Timer with Slide

**Housing Material:**

PBT GF20

**Wire Size Range:**

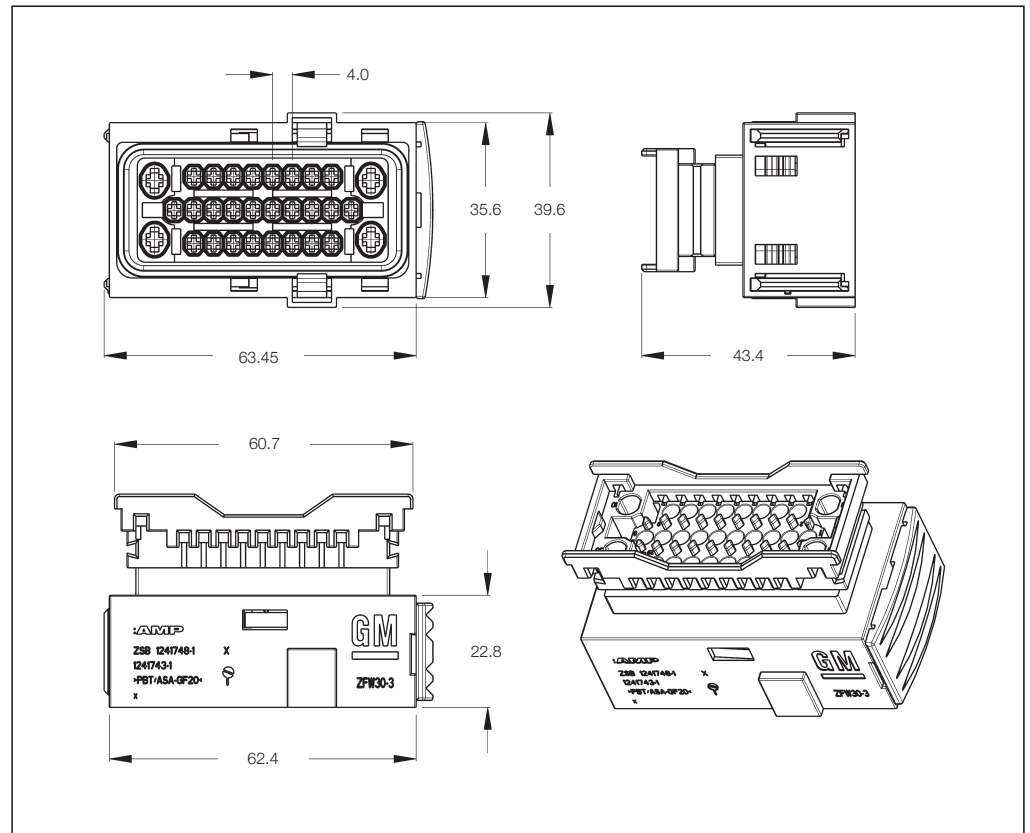
MTII: 0.5–1.0 mm<sup>2</sup>  
JPT: 0.5–2.5 mm<sup>2</sup>

**Product Specification:**

108-18672-1

**Application Specification:**

114-18315-1



**30 Position Receptacle Housings**

No. of Pos.	Keying Options	Housing Color	Part Numbers							
			Receptacle Housing	Cover	Locking Device	Cover and Lever	Retainer Housing	Mating Tab Housing	Mating PCB Header Right-Angle	Mating PCB Header Vertical
30	–	Black	1241748-1	1241747-1	–	–	–	1355883-1	–	–

Receptacle Housings

**Technical Features**

**No. of Positions:**

102 Position  
Micro Timer II + Junior  
Power Timer +  
Maxi Power Timer

**Housing Material:**

PBT GF20

**Wire Size Range:**

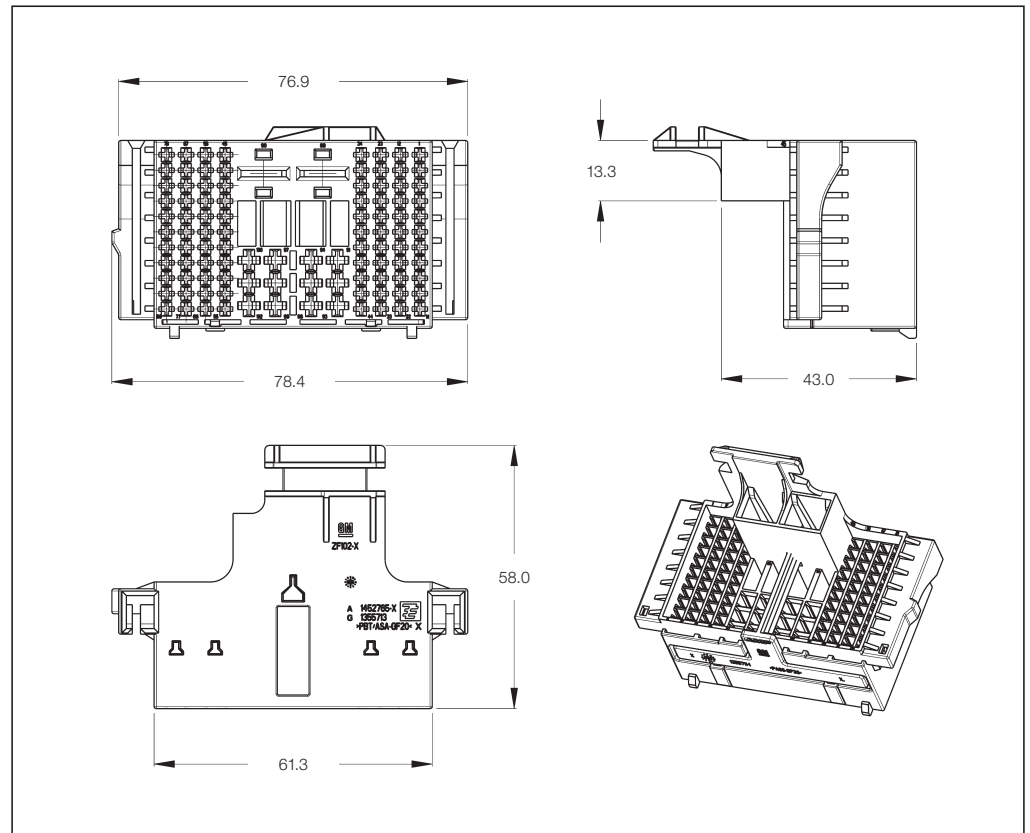
MTII: 0.2–1.0 mm<sup>2</sup>  
SPT: 0.2–2.5 mm<sup>2</sup>  
MPT: 2.5–10.0 mm<sup>2</sup>

**Product Specification:**

108-18931

**Application Specification:**

114-18634



**102 Position Receptacle Housings**

No. of Pos.	Keying Options	Housing Color	Part Numbers							
			Receptacle Housing	Cover	Locking Device	Cover and Lever	Retainer Housing	Mating Tab Housing	Mating PCB Header Right-Angle Vertical	
102	–	Black	1452765-1	–	–	–	1355711-1	1452764-1	–	–

Tab Housings

**Technical Features**

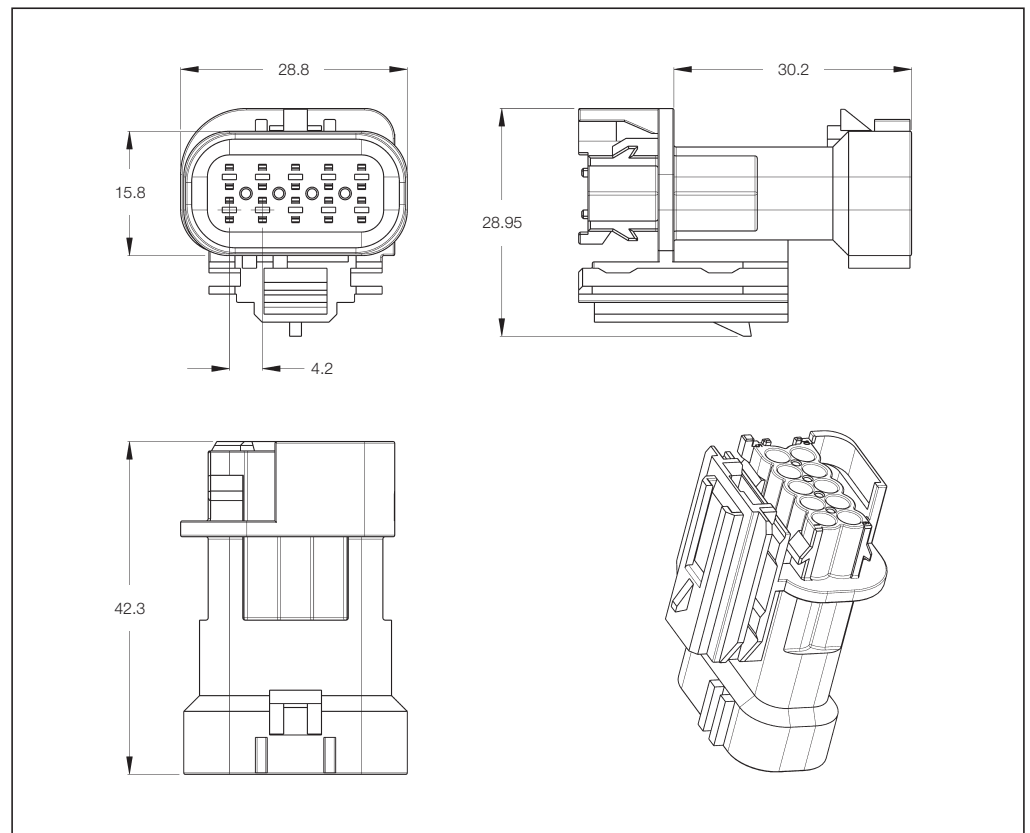
**No. of Positions:**  
10 Positions

**Housing Material:**  
PBT GF20

**Wire Size Range:**  
0.2–1.0 mm<sup>2</sup>

**Product Specification:**  
108-18816-1

**Application Specification:**  
114-18485-1



**10 Position Tab Housings**

No. of Pos.	Keying Options	Housing Color	Part Numbers					
			Tab Housing	Cover	Locking Device	Cover and Lever	Retainer Housing	Mating Receptacle Housing
10	–	Black	1452546-1	–	–	–	–	1452545-1



Tab Housings

**Technical Features**

**No. of Positions:**

30 Position  
Micro Timer II + Junior  
Power Timer with Slide

**Housing Material:**

PBT GF20

**Wire Size Range:**

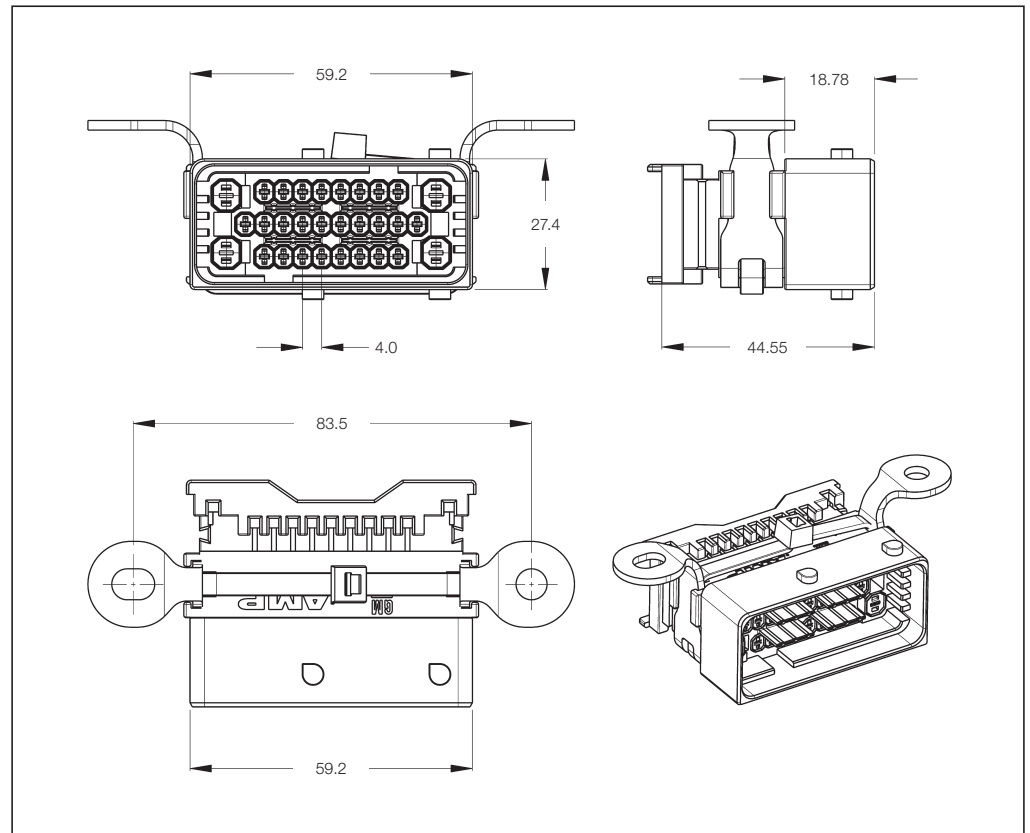
See customer drawing

**Product Specification:**

108-18672-1

**Application Specification:**

114-18315-1



**30 Position Mixed Tab Housings**

No. of Pos.	Keying Options	Housing Color	Part Numbers					
			Tab Housing	Cover	Locking Device	Cover and Lever	Retainer Housing	Mating Receptacle Housing
30	-	Black	1355883-1	-	-	-	-	1241748-1

Tab Housings

**Technical Features**

**No. of Positions:**

102 Position  
Micro Timer II + Junior  
Power Timer +  
Maxi Power Timer

**Housing Material:**

PBT GF20

**Wire Size Range:**

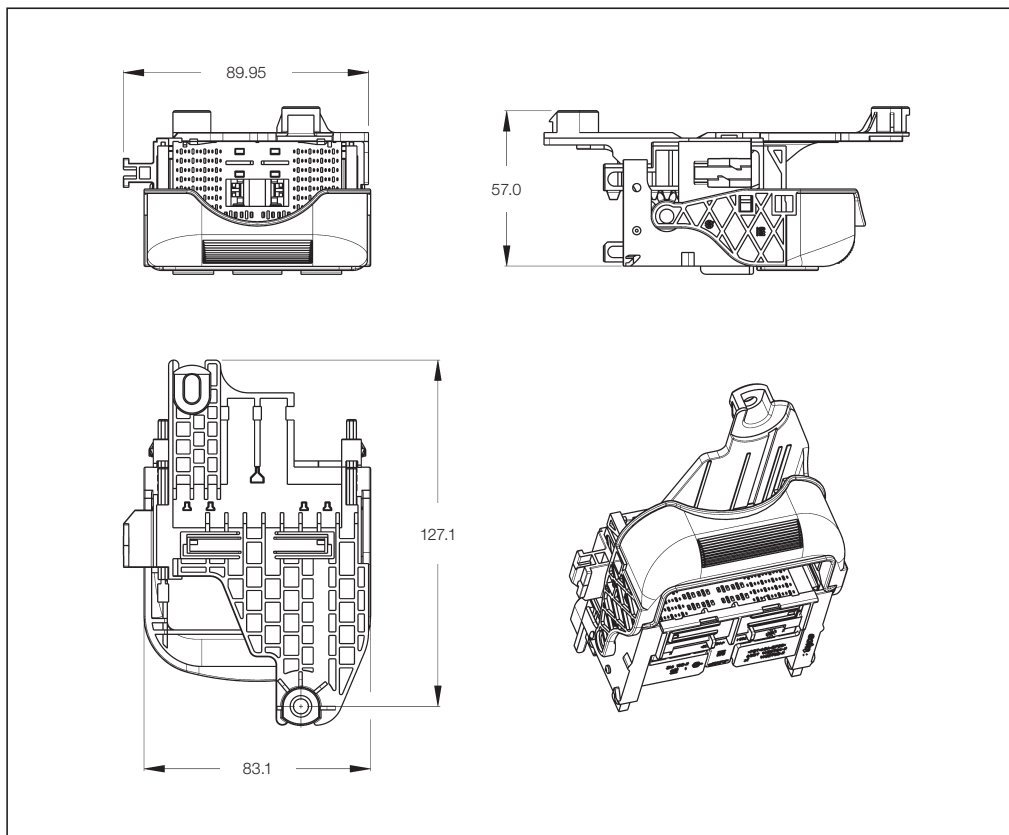
See customer drawing

**Product Specification:**

108-18931

**Application Specification:**

114-18634



**102 Position Mixed Tab Housings**

No. of Pos.	Keying Options	Housing Color	Part Numbers					
			Tab Housing	Cover	Locking Device	Cover and Lever	Retainer Housing	Mating Receptacle Housing
102	-	Black	1452764-1	-	-	-	1355709-1	1452765-1

Receptacle Housings

**Technical Features**

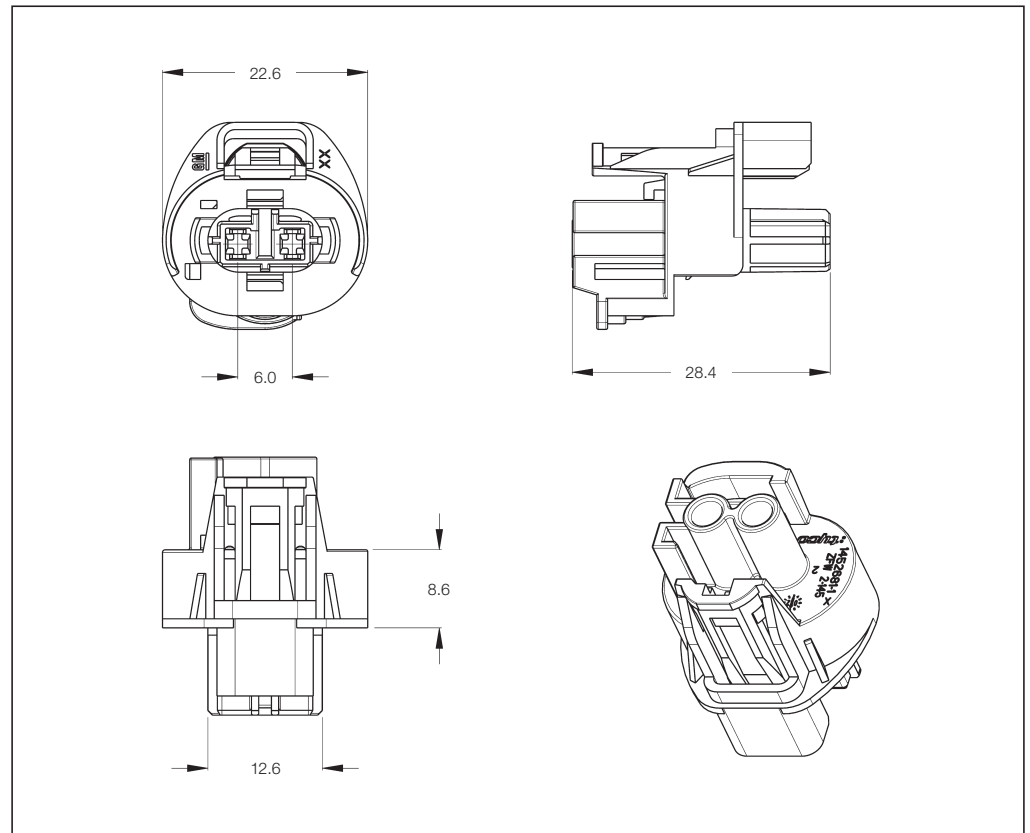
**No. of Positions:**  
2 Position Assy

**Housing Material:**  
PBT GF20

**Wire Size Range:**  
0.5–1.0 mm<sup>2</sup>

**Product Specification:**  
108-18872-1

**Application Specification:**  
114-18564-1



**2 Position Receptacle Housings**

No. of Pos.	Keying Options	Housing Color	Part Numbers							
			Receptacle Housing	Cover	Locking Device	Cover and Lever	Retainer Housing	Mating Tab Housing	Mating PCB Header Right-Angle	Vertical
2	–	Black	1452680-1	–	1452679-1	–	–	–	–	–

Receptacle Housings

**Technical Features**

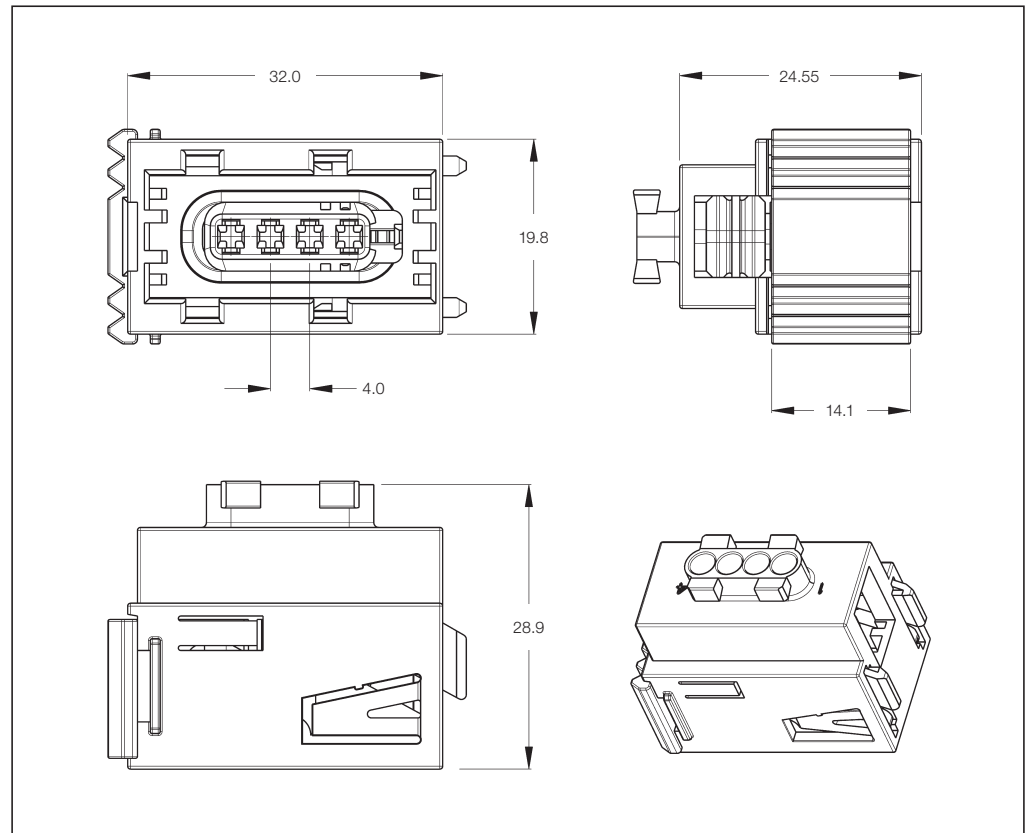
**No. of Positions:**  
4 Positions

**Housing Material:**  
PBT GF30

**Wire Size Range:**  
0.35–0.5 mm<sup>2</sup>

**Product Specification:**  
108-18664

**Application Specification:**  
114-18308



**4 Position Receptacle Housings**

No. of Pos.	Keying Options	Housing Color	Part Numbers							
			Receptacle Housing	Cover	Locking Device	Cover and Lever	Retainer Housing	Mating Tab Housing	Mating PCB Header Right-Angle	Mating PCB Header Vertical
4	–	Black	6-1355678-1	–	–	–	–	–	–	–

Receptacle Housings

**Technical Features**

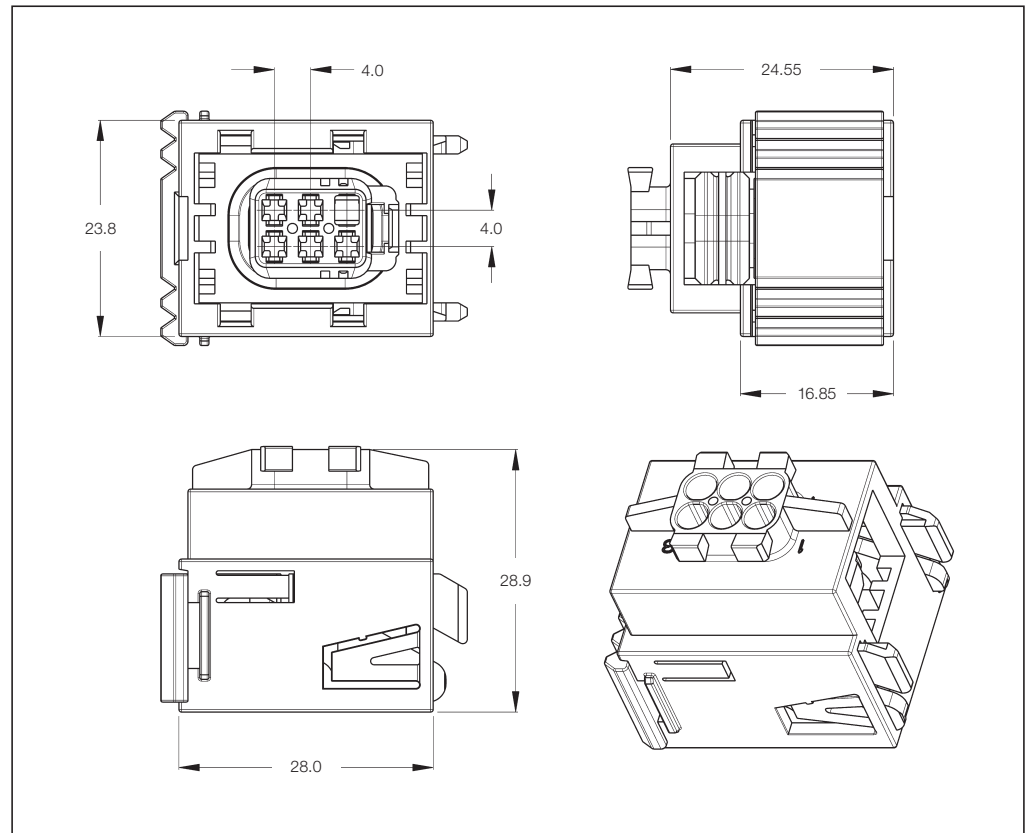
**No. of Positions:**  
6 Positions

**Housing Material:**  
PBT GF30

**Wire Size Range:**  
0.35–0.5 mm<sup>2</sup>

**Product Specification:**  
108-18664

**Application Specification:**  
114-18308



**6 Position Receptacle Housings**

No. of Pos.	Keying Options	Housing Color	Part Numbers							
			Receptacle Housing	Cover	Locking Device	Cover and Lever	Retainer Housing	Mating Tab Housing	Mating PCB Header Right-Angle	Mating PCB Header Vertical
6	–	Black	6-1355683-1	–	–	–	–	–	–	–

Receptacle Housings

**Technical Features**

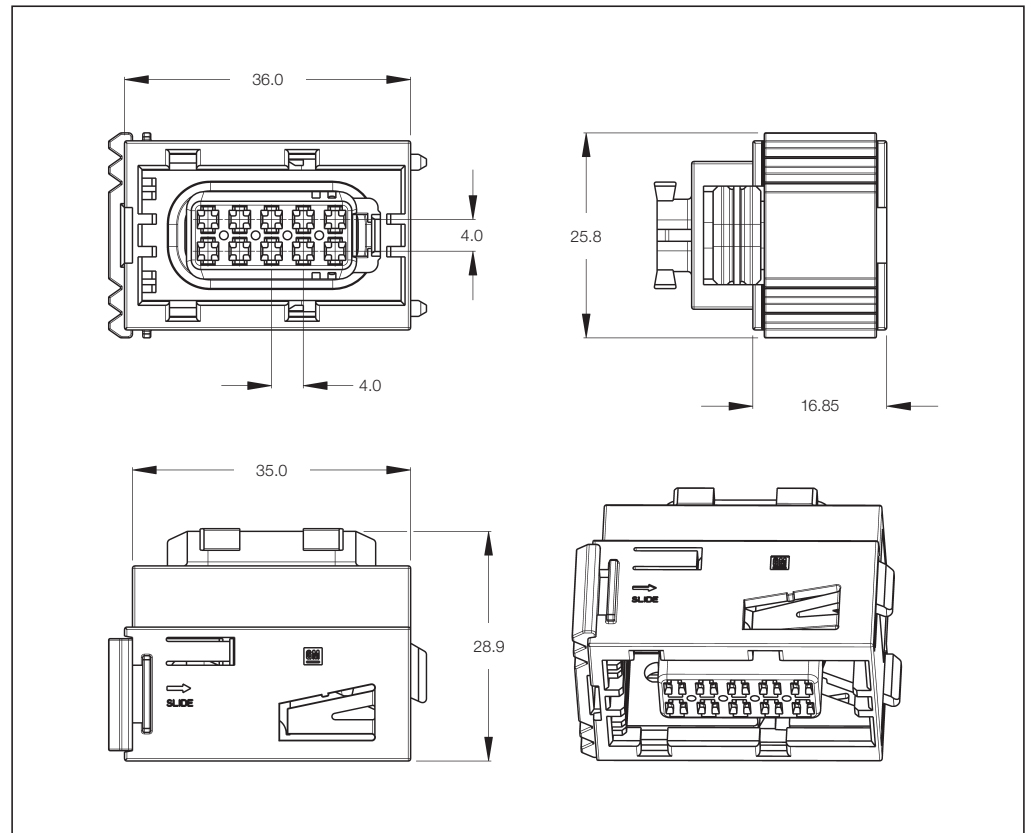
**No. of Positions:**  
10 Positions

**Housing Material:**  
PBT GF30

**Wire Size Range:**  
0.35–0.5 mm<sup>2</sup>

**Product Specification:**  
108-18664

**Application Specification:**  
114-18308



**10 Position Receptacle Housings**

No. of Pos.	Keying Options	Housing Color	Part Numbers							
			Receptacle Housing	Cover	Locking Device	Cover and Lever	Retainer Housing	Mating Tab Housing	Mating PCB Header Right-Angle	Vertical
10	–	Black	6-1355688-1	–	–	–	–	–	–	–