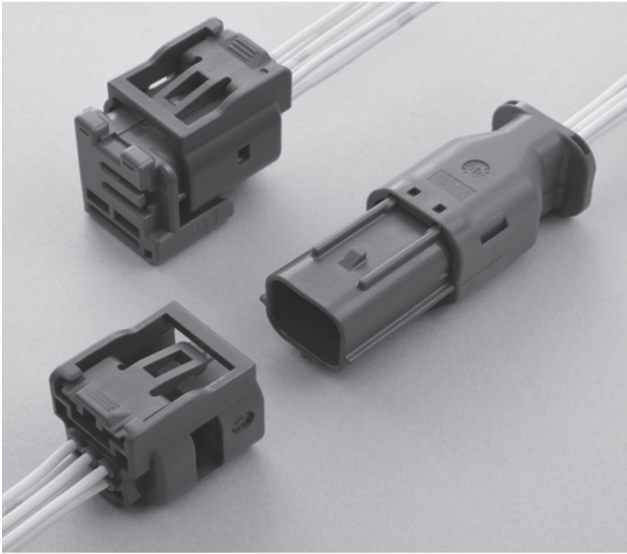


MWT CONNECTOR

Wire-to-wire/Sealed connector



Compliant with the ISO 19689, 0.64 mm individual waterproof, 6 pole wire to wire connection connector.

The retainer is a pre-set type for both female and male housing.

Protection cover to female connector from water and dust is selectable to the installation direction.

■ Features

● Compliant with the ISO19689

Compliant with the ISO19689 which is the Motorcycle OBD standard connector.

● Individual Sealed Connector

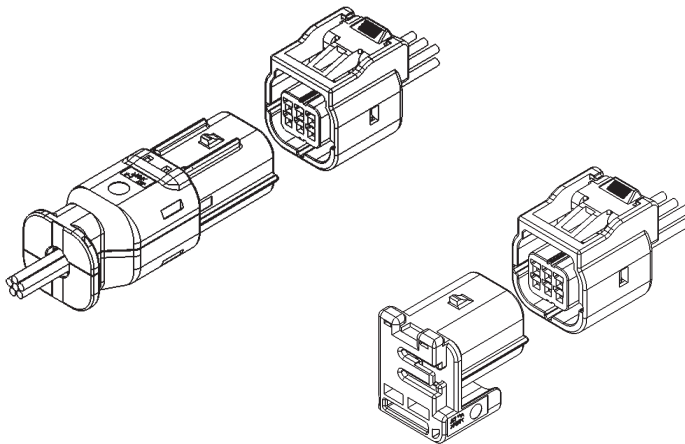
Individual sealed connector with 0.64mm terminal, 3.0mm × 3.0mm pitch.

● Pre-set Retainer

Simple assemble harnesses, due to there is no necessity to add retainer afterwards.

● Selectable to the installation direction to the body

The protection cover is designed to set the connector in a vertical or horizontal direction on a bracket of the body with using a clip structure.



■ Specifications

● Current rating : 3.5 A DC (^{*1}), 7.5 A DC (^{*2})

● Withstanding voltage : 1,000 VAC/minute

● Temperature range : -40°C to +85°C

(including temperature rise in applying

electrical current)

● Insulation resistance : 100 MΩ min.

● Applicable wire : AVSS
0.3 mm², 0.5 mm²

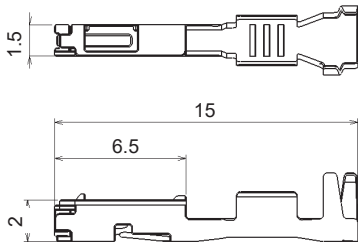
*1: Temperature 20±5°C (Collective energized)

*2: Temperature 20±5°C (Individual energized)

* Compliant with ELV/RoHS2.

* Contact JST for details.

Female Terminal

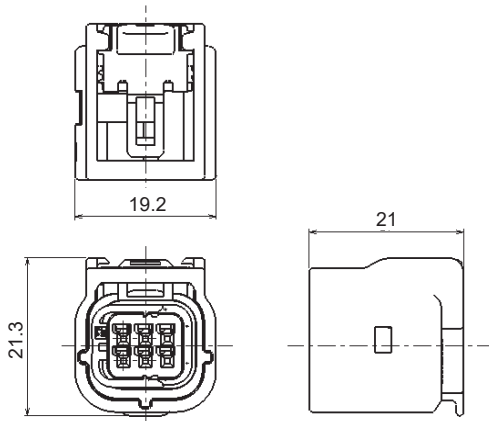


Model No.	Applicable wire range		Q'ty/reel
	Conductor (mm ²)	Insulation O.D. (mm)	
SMWTS-A021T-C064	0.3~0.5	1.4~1.7	5,000

Material and Finish

Copper alloy, tin-plated (reflow treatment)

Female connector

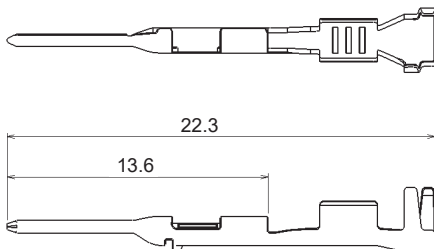


Circuits	Model No.	Q'ty/box
6	MWTRB-06-1A-R	750

Material and Finish

Housing: Glass-filled PBT, Red
Retainer: Glass-filled PBT, Black
Inner seal: Silicone, Brown

Male terminal

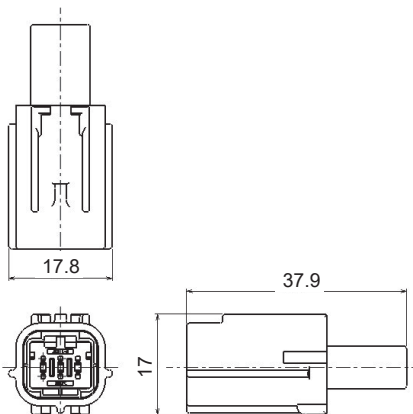


Model No.	Applicable wire range		Q'ty/reel
	Conductor (mm ²)	Insulation O.D. (mm)	
SMWTWS-A021T-064	0.3~0.5	1.4~1.7	5,500

Material and Finish

Brass, tin-plated (reflow treatment)

Male connector

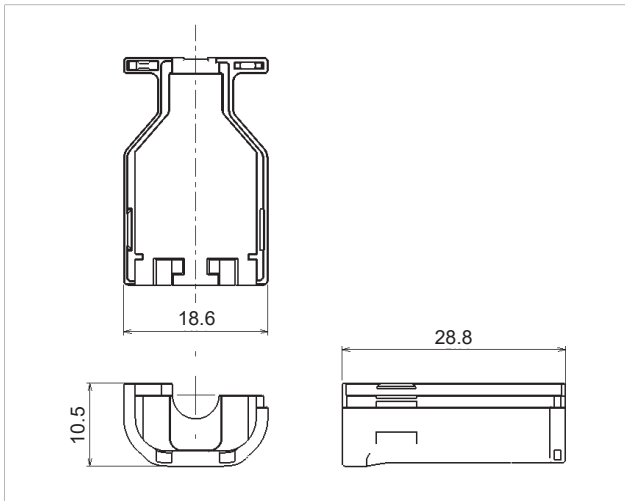


Circuits	Model No.	Q'ty/box
6	MWTPB-06-1A-R	750

Material and Finish

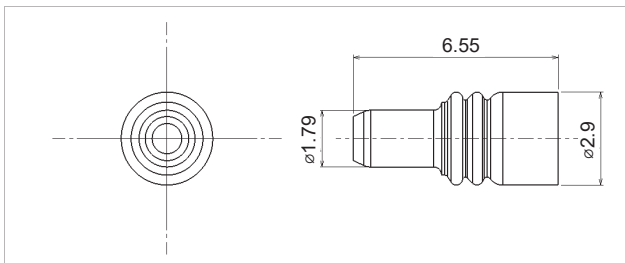
Housing: Glass-filled PBT, Red
Retainer: PBT, Black

Harness cover



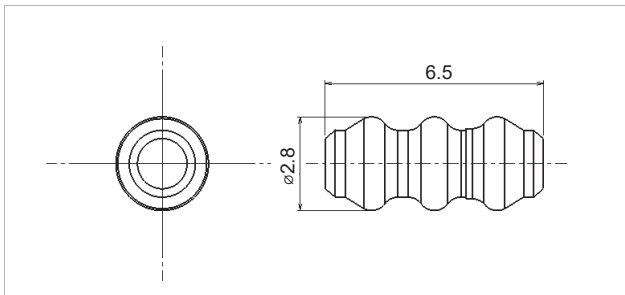
Circuits	Model No.	Q'ty/box
6	MWTWC-06-1A-R	1,800
Material and Finish		
PBT		

Wire seal



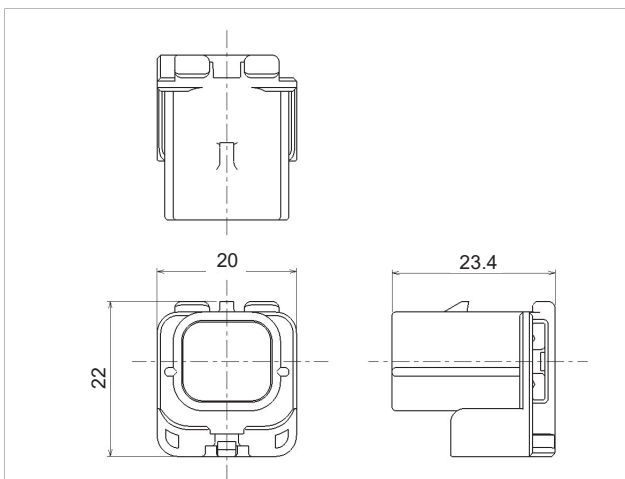
Model No.	Applicable wire range		Q'ty/box
	Conductor (mm ²)	Insulation O.D. (mm)	
A03WS-MWT-N	0.3~0.5	1.4~1.7	10,000
Material and Finish			
Silicone, Brown			

Dummy plug



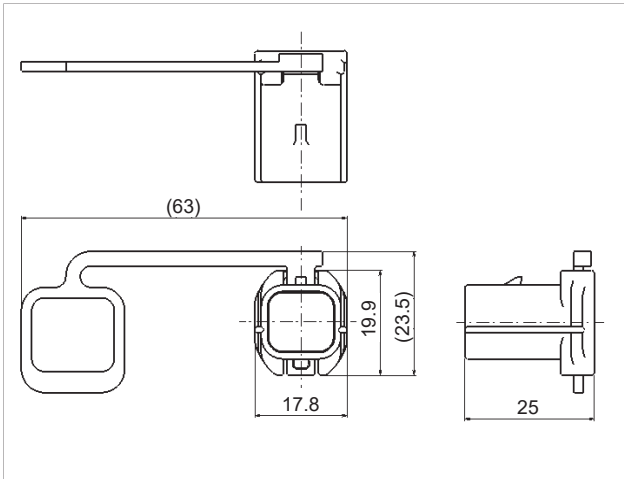
Model No.	Applicable wire range		Q'ty/box
	Conductor (mm ²)	Insulation O.D. (mm)	
MWTDPS-1A-DN	0.3~0.5	1.4~1.7	10,000
Material and Finish			
Silicone, Dark brown			

Protection cover



Circuits	Model No.	Q'ty/box
6	MWTPC-06-1A-R	750
Material and Finish		
PBT		

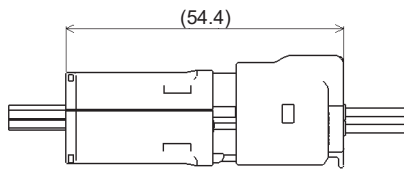
Protection cover with Lead



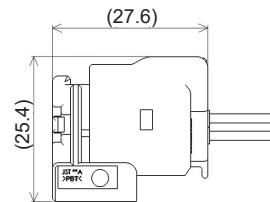
Circuits	Model No.	Q'ty/box
6	MWHPCWH-06-1A-RK	1200
Material and Finish		
Housing: PBT		
Lead: Silicone		

Assembly layout

● Male connector assembly

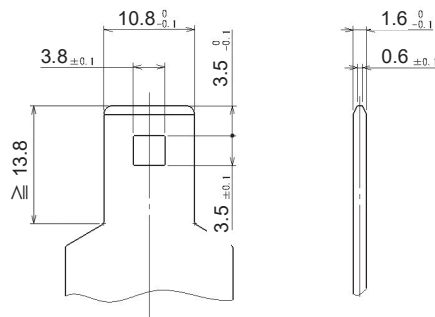


● Protection cover assembly



Bracket layout

Recommended bracket layout



Crimping machine, Applicator

Strip terminal	Crimping machine	Crimp applicator MKS-L	
		Dies	Crimp applicator with dies
SMWTS-A021T-C064	AP-K2N	MK/SMWTS-A021-	APLMK SMWTS-A021-064
SMWTWS-A021T-064		MK/SMWTWS-A021-	APLMK SMWTWS-A021-064

Note: When crimping operation is conducted using an applicator and die set other than the above, JST cannot guarantee the performance of the termina