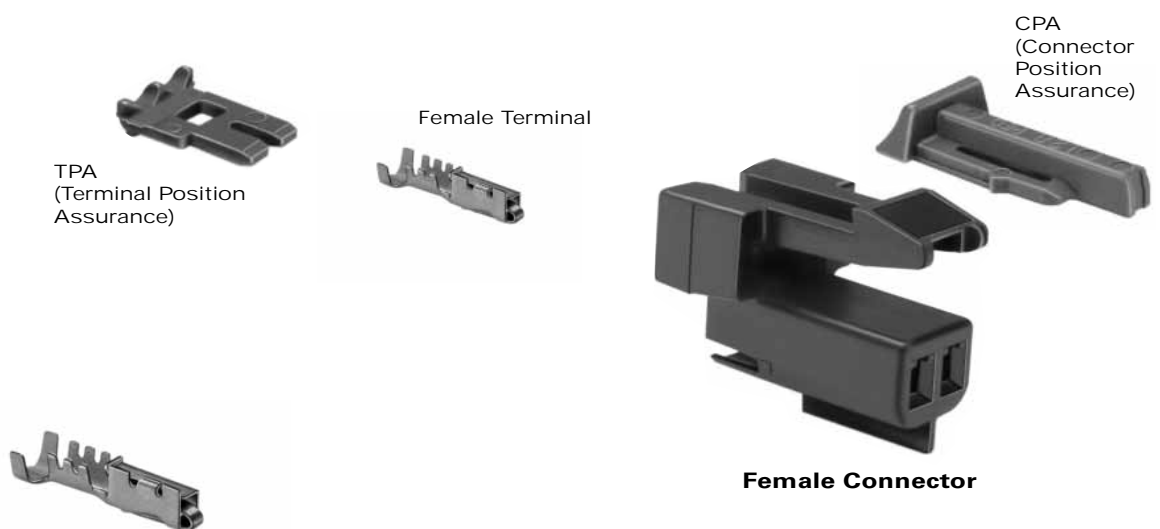
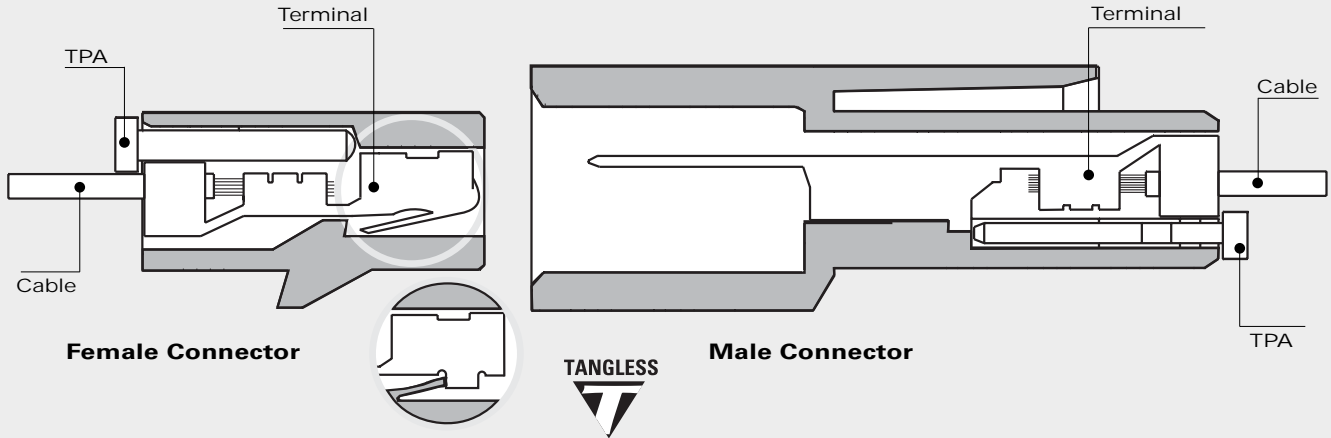




150



Metri-Pack Series

Cross Sectional View



150 Female Terminals Unsealed			
Part #	Cable Range (mm <sup>2</sup> )	Material	Plating
12047767	1.0-0.80	Silicon Bronze	Tin
12064971	0.50-0.35	Silicon Bronze	Tin

150 Female Connectors Unsealed				
# Cavities	Connector	Color	Material	TPA
1	12047682	Black	PA66 HS IM	—
2	12047662	Black	PA66 HS IM	15324070
2	12052832	Black	PA66 HS IM	15324070
3	12047781	Black	PA66 HS IM	12047783
3	12064758	Black	PA66 HS IM	12047783
4	12047785	Black	PA66 HS IM	15324070
4	12064760	Black	PA66 HS IM	15324070
4	12092162	Black	PA66 HS IM	12092164
6	12064762	Lt. Gray	PA66 HS IM	12064764
8	12047886	Black	PA66 HS IM	12045689
8	12064766	Blue	PBT	12064768
10	12064769	Cream	PA66 HS IM	12064771

150 Tangless Female Terminals Unsealed			
Part #	Cable Range (mm <sup>2</sup> )	Material	Plating
12129484	1.0-0.80	Silicon Bronze	Tin
12129373	0.5-0.35	Silicon Bronze	Tin

NOTE: Specifications in this catalog are for general reference only and are subject to change without notice. To verify product information, please contact a Delphi representative.

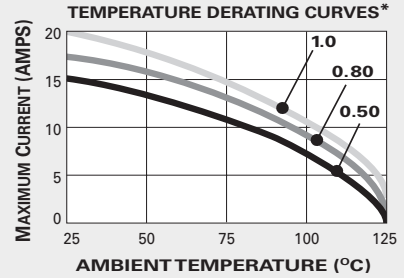
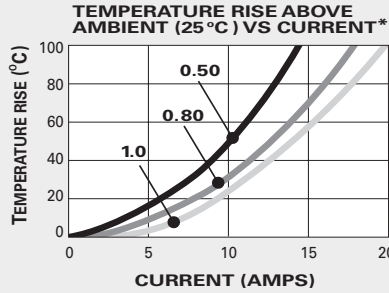


# 150

## Unsealed System Application Information

### 150 Series Terminals – Tin Plated

CABLE RANGE (mm<sup>2</sup>): ..... 0.35-1.0  
 CURRENT RANGE (AMPS): ..... 0-14  
 TEMP RANGE °C: ..... -40 to 125  
 RESISTANCE: ..... <10mΩ@20mV  
 VOLTAGE DROP: .... <10.0 mV/amp  
 CENTERLINE SPACING (mm): ..... 3.5  
 BLADE WIDTH (mm): ..... 1.5



\*The test data are based on single circuits in free space and were generated using a "Lumped Resistance" model. This model does not account for all of the variables that would be present in an actual application. For actual product performance, contact your regional support representative.



Male Connector

Male Terminal



TPA (Terminal Position Assurance)



#### 150 Male Connectors Unsealed

# Cavities	Connector	Color	Material	TPA
1	12047683	Black	PA66 HS IM	–
2	12047663	Black	PA66 HS IM	12047665
2	12052833	Black	PA66 HS IM	12047665
3	12047782	Black	PA66 HS IM	12047784
3	12064759	Black	PBT	12047784
4	12047786	Black	PA66 HS IM	12047787
4	12064761	Black	PBT	12047787
4	12092163	Black	PA66 HS IM	12092164
6	12064763	Gray	PBT	12064765
8	12045688	Black	PA66 HS IM	12045690
8	12064767	Blue	PBT	12045690
10	12064770	Cream	PA66 HS IM	12064772

#### 150 Male Terminals Unsealed

Part #	Cable Range (mm <sup>2</sup> )	Material	Plating
12047581	0.80-0.50	Tin Brass	Tin
12059894	0.50-0.35	Tin Brass	Tin

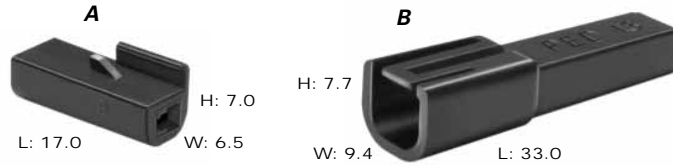
#### SECTION NOTES:

- Due to rigid tolerances of connector cavities, it is critical to meet all crimp dimensions as specified.
- Female connections for device applications, see page 2.20.

NOTE: Specifications in this catalog are for general reference only and are subject to change without notice. To verify product information, please contact a Delphi representative.



# 150



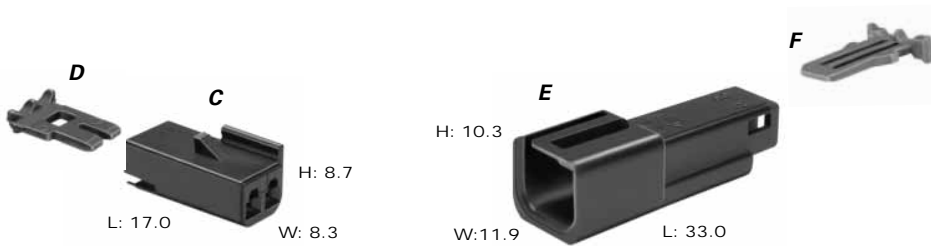
Total Mated Length: 38.1mm

**A. Part No: 12047682**

Description:	Connector 1F
Size:	17.0L x 7.0H x 6.5W
Color:	Black
Material:	PA66 HS IM
Terminals:	See Page 2.2

**B. Part No: 12047683**

Description:	Connector 1M
Size:	33.0L x 7.7H x 9.4W
Color:	Black
Material:	PA66 HS IM
Terminals:	See Page 2.3



Total Mated Length: 41.0mm

**C. Part No: 12047662 (Black)  
12059249 (Cream)**

Description:	Connector 2F
Size:	17.0L x 8.7H x 8.3W
Material:	PA66 HS IM
Terminals:	See Page 2.2

**E. Part No: 12047663 (Black)  
12059250 (Cream)**

Description:	Connector 2M (Clip Slot)
Size:	33.0L x 10.3H x 11.9W
Material:	PA66 HS IM
Terminals:	See Page 2.3

**D. Part No: 15324070**

Description:	TPA
Color:	Lt. Gray
Material:	PA66 HS IM

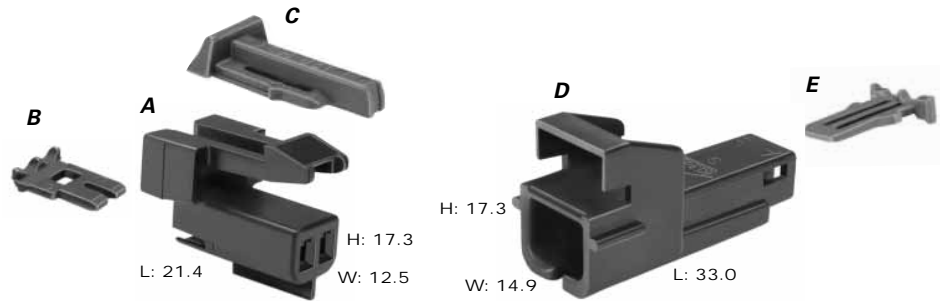
**F. Part No: 12047665**

Description:	TPA
Color:	Md. Gray
Material:	PA66 HS IM

**NOTE:** Specifications in this catalog are for general reference only and are subject to change without notice. To verify product information, please contact a Delphi representative.



# 150



Total Mated Length: 43.1mm

**A. Part No: 12052832**

Description:	Connector 2F
Size:	21.4L x 17.3H x 12.5W
Color:	Black
Material:	PA66 HS IM
Terminals:	See Page 2.2

**B. Part No: 15324070**

Description:	TPA
Color:	Lt. Gray
Material:	PA66 HS IM

**C. Part No: 12052834**

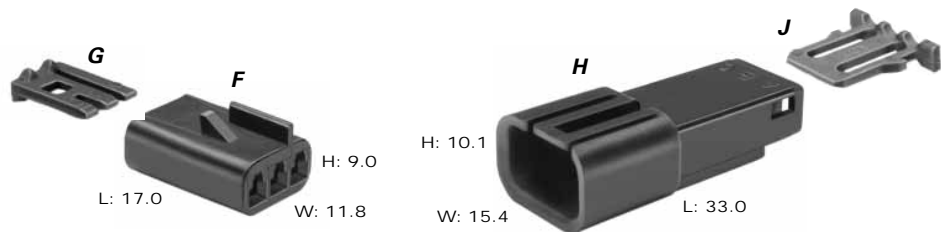
Description:	CPA
Color:	Green
Material:	PP

**D. Part No: 12052833**

Description:	Connector 2M (Clip Slot)
Size:	33.0L x 17.3H x 14.9W
Color:	Black
Material:	PA66 HS IM
Terminals:	See Page 2.3

**E. Part No: 12047665**

Description:	TPA
Color:	Md. Gray
Material:	PA66 HS IM



Total Mated Length: 41.3mm

**F. Part No: 12065422 (Cream)  
12047781 (Black)**

Description:	Connector 3F
Size:	17.0L x 9.0H x 11.8W
Material:	PA66 HS IM
Terminals:	See Page 2.2

**G. Part No: 12047783**

Description:	TPA
Color:	Md. Gray
Material:	PA66 HS IM

**H. Part No: 12065423 (Cream)  
12047782 (Black)**

Description:	Connector 3M (Clip Slot)
Size:	33.0L x 10.1H x 15.4W
Material:	PA66 HS IM
Terminals:	See Page 2.3

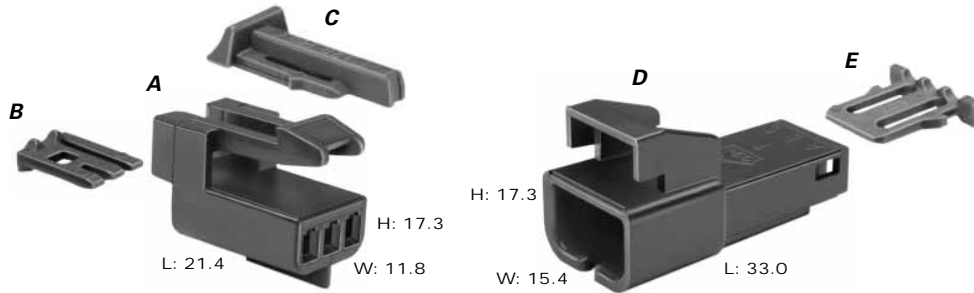
**J. Part No: 12047784**

Description:	TPA
Color:	Gray
Material:	PBT

NOTE: Specifications in this catalog are for general reference only and are subject to change without notice. To verify product information, please contact a Delphi representative.



150



Total Mated Length: 47.1mm

**A. Part No: 12064758**

Description:	Connector 3F
Size:	21.4L x 17.3H x 11.8W
Color:	Black
Material:	PA66 HS IM
Terminals:	See Page 2.2

**D. Part No: 12064759**

Description:	Connector 3M (Clip Slot)
Size:	33.0L x 17.3H x 15.4W
Color:	Black
Material:	PBT
Terminals:	See Page 2.3

**B. Part No: 12047783**

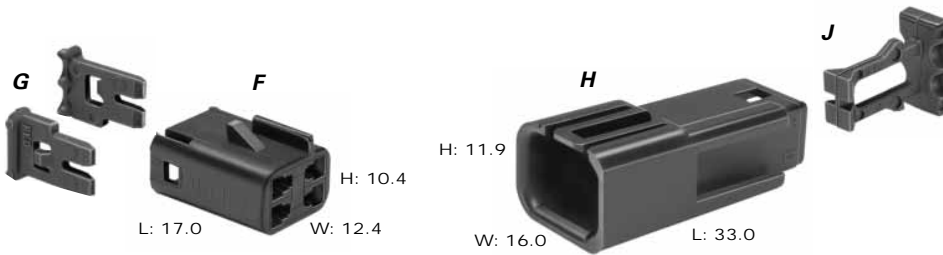
Description:	TPA
Color:	Md. Gray
Material:	PA66 HS IM

**E. Part No: 12047784**

Description:	TPA
Color:	Gray
Material:	PBT

**C. Part No: 12052834**

Description:	CPA
Color:	Green
Material:	PP



Total Mated Length: 42.2mm

**F. Part No: 12089248 (Cream)  
12047785 (Black)**

Description:	Connector 4F
Size:	17.0L x 10.4H x 12.4W
Material:	PA66 HS IM
Terminals:	See Page 2.2

**H. Part No: 12089247 (Cream)  
12047786 (Black)**

Description:	Connector 4M (Clip Slot)
Size:	33.0L x 11.9H x 16.0W
Material:	PA66 HS IM
Terminals:	See Page 2.3

**G. Part No: 15324070**

Description:	TPA
Number Req:	2
Color:	Lt. Gray
Material:	PA66 HS IM

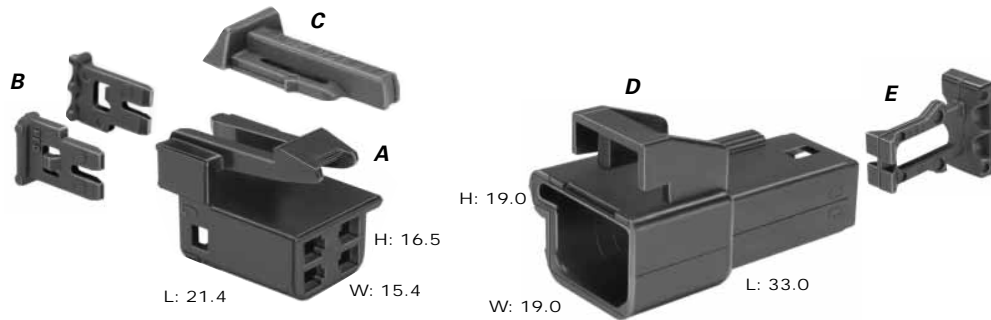
**J. Part no: 12047787**

Description:	TPA
Color:	Blue
Material:	PBT

NOTE: Specifications in this catalog are for general reference only and are subject to change without notice. To verify product information, please contact a Delphi representative.



# 150



Total Mated Length: 47.9mm

**A. Part No: 12064760**

Description: Connector 4F  
 Size: 21.4L x 16.5H x 15.4W  
 Color: Black  
 Material: PA66 HS IM  
 Terminals: See Page 2.2

**D. Part No: 12064761**

Description: Connector 4M (Clip Slot)  
 Size: 33.0L x 19.0H x 19.0W  
 Color: Black  
 Material: PBT  
 Terminals: See Page 2.3

**B. Part No: 15324070**

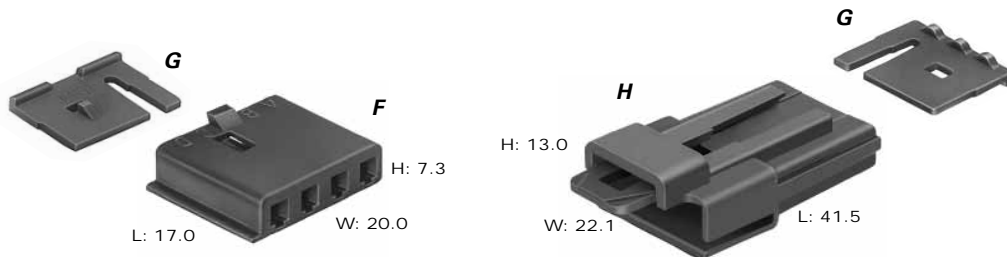
Description: TPA  
 Number Req: 2  
 Color: Lt. Gray  
 Material: PA66 HS IM

**E. Part No: 12047787**

Description: TPA  
 Color: Blue  
 Material: PBT

**C. Part No: 12052834**

Description: CPA  
 Color: Green  
 Material: PP



Total Mated Length: 43.3mm

**F. Part No: 12092162**

Description: Connector 4F  
 Size: 17.0L x 7.3H x 20.0W  
 Color: Black  
 Material: PA66 HS IM  
 Terminals: See Page 2.2

**H. Part No: 12092163**

Description: Connector 4M (Clip Slot)  
 Size: 41.5L x 13.0H x 22.1W  
 Color: Black  
 Material: PA66 HS IM  
 Terminals: See Page 2.3

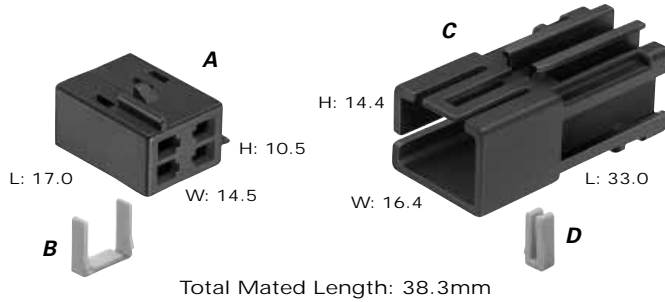
**G. Part No: 12092164**

Description: TPA  
 Number Req: 2  
 Color: Blue  
 Material: PA66 HS IM

NOTE: Specifications in this catalog are for general reference only and are subject to change without notice. To verify product information, please contact a Delphi representative.



# 150



**A. Part No: 12131283**

Description:	Connector 4F
Size:	17.0L x 10.5H x 14.5W
Color:	Black
Material:	PA6
Terminals:	See Page 2.2

**C. Part No: 12131285**

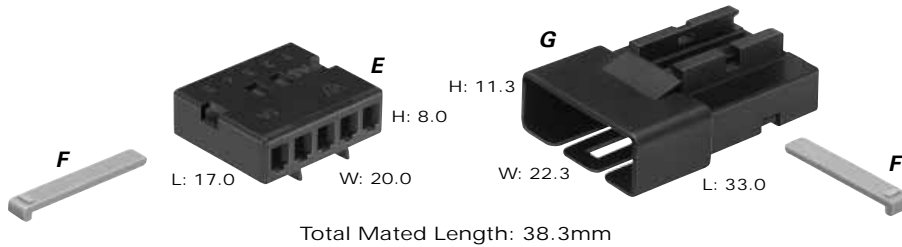
Description:	Connector 4M (Clip Slot)
Size:	33.0L x 14.4H x 16.4W
Color:	Black
Material:	PA66
Terminals:	See Page 2.3

**B. Part No: 12131361**

Description:	Secondary Lock
Color:	Yellow
Material:	PA66 25% GF

**D. Part No: 12131372**

Description:	Secondary Lock
Color:	Yellow
Material:	PA66 25% GF
Note:	M Clip-on Connector also available



**E. Part No: 12147054**

Description:	Connector 5F
Size:	17.0L x 8.0H x 20.0W
Color:	Black
Material:	PA6
Terminals:	See Page 2.2

**G. Part No: 12185636**

Description:	Connector 5M (Clip Slot)
Size:	33.0L x 11.3H x 22.3W
Color:	Black
Material:	PA66
Terminals:	See Page 2.3
Note:	Clip Version available

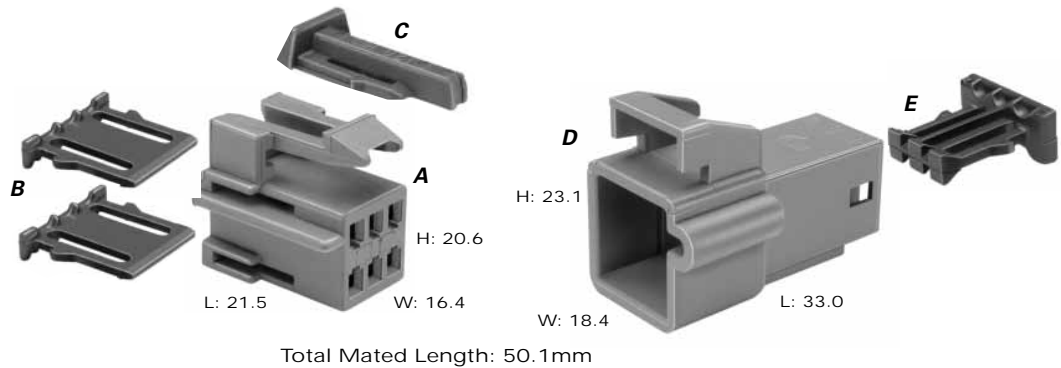
**F. Part No: 12147055**

Description:	Secondary Lock
Number Req:	2
Color:	Yellow
Material:	PA66 25% GF

**NOTE:** Specifications in this catalog are for general reference only and are subject to change without notice. To verify product information, please contact a Delphi representative.



# 150



**A. Part No: 12064762**

Description:	Connector 6F
Size:	21.5L x 20.6H x 16.4W
Color:	Lt. Gray
Material:	PA66 HS IM
Terminals:	See Page 2.2

**B. Part No: 12064764**

Description:	TPA
Number Req:	2
Color:	Blue
Material:	PBT

**C. Part No: 12052834**

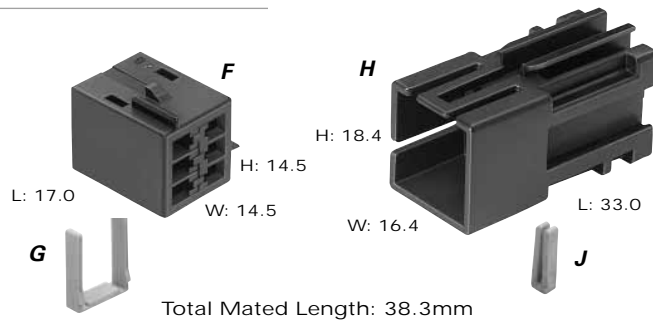
Description:	CPA
Color:	Green
Material:	PP

**D. Part No: 12064763**

Description:	Connector 6M (Clip Slot)
Size:	33.0L x 23.1H x 18.4W
Color:	Gray
Material:	PBT
Terminals:	See Page 2.3

**E. Part No: 12064765**

Description:	TPA
Color:	Black
Material:	PBT



**F. Part No: 15396848**

Description:	Connector 6F
Size:	17.0L x 14.5H x 14.5W
Color:	Black
Material:	PA6
Terminals:	See Page 2.2

**G. Part No: 12131358**

Description:	Secondary Lock
Color:	Yellow
Material:	PA66 25% GF

**H. Part No: 15396849**

Description:	Connector 6M
Size:	33.0L x 18.4H x 16.4W
Color:	Black
Material:	PA66
Terminals:	See Page 2.3

**J. Part No: 12131370**

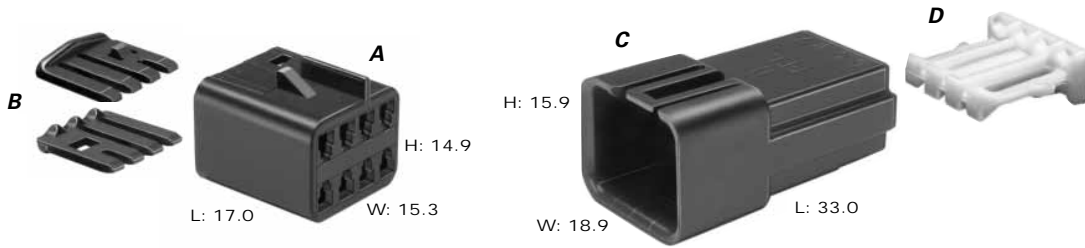
Description:	Secondary Lock
Color:	Yellow
Material:	PA66 25% GF

NOTE: Specifications in this catalog are for general reference only and are subject to change without notice. To verify product information, please contact a Delphi representative.





# 150



Total Mated Length: 41.2mm

**A. Part No: 12047886**

Description:	Connector 8F
Size:	17.0L x 14.9H x 15.3W
Color:	Black
Material:	PA66 HS IM
Terminals:	See Page 2.2

**C. Part No: 12045688**

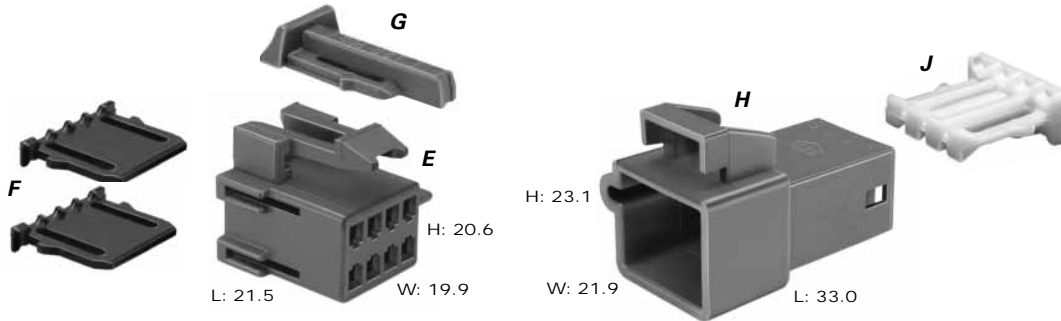
Description:	Connector 8M (Clip Slot)
Size:	33.0L x 15.9H x 18.9W
Color:	Black
Material:	PA66 HS IM
Terminals:	See Page 2.3

**B. Part No: 12045689**

Description:	TPA
Number Req:	2
Color:	Md. Gray
Material:	PA66 HS IM

**D. Part No: 12045690**

Description:	TPA
Color:	Natural
Material:	PBT



Total Mated Length: 48.3mm

**E. Part No: 12064766**

Description:	Connector 8F
Size:	21.5L x 20.6H x 19.9W
Color:	Blue
Material:	PBT
Terminals:	See Page 2.2

**H. Part No: 12064767**

Description:	Connector 8M (Clip Slot)
Size:	33.0L x 23.1H x 21.9W
Color:	Blue
Material:	PBT
Terminals:	See Page 2.3

**F. Part No: 12064768**

Description:	TPA
Number Req:	2
Color:	Black
Material:	PBT

**J. Part No: 12045690**

Description:	TPA
Color:	Natural
Material:	PBT

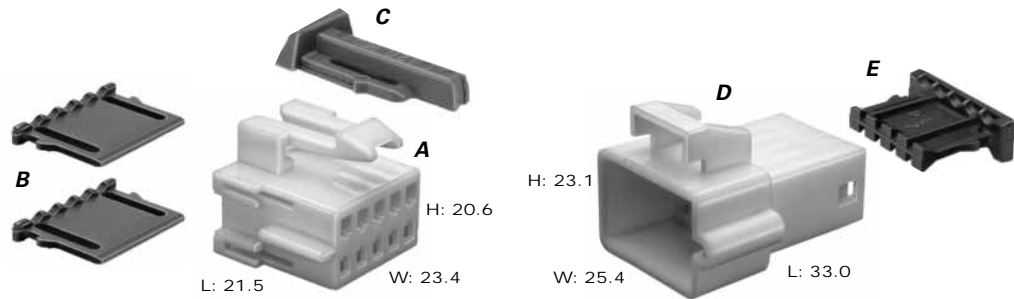
**G. Part No: 12052834**

Description:	CPA
Color:	Green
Material:	PP

**NOTE:** Specifications in this catalog are for general reference only and are subject to change without notice. To verify product information, please contact a Delphi representative.



150



Total Mated Length: 48.3mm

**A. Part No: 12064769**

Description:	Connector 10F
Size:	21.5L x 20.6H x 23.4W
Color:	Cream
Material:	PA66 HS IM
Terminals:	See Page 2.2

**B. Part No: 12064771**

Description:	TPA
Number Req:	2
Color:	Md. Gray
Material:	PA66 HS IM

**C. Part No: 12052834**

Description:	CPA
Color:	Green
Material:	PP

**D. Part No: 12064770**

Description:	Connector 10M (Clip Slot)
Size:	33.0L x 23.1H x 25.4W
Color:	Cream
Material:	PA66 HS IM
Terminals:	See Page 2.3

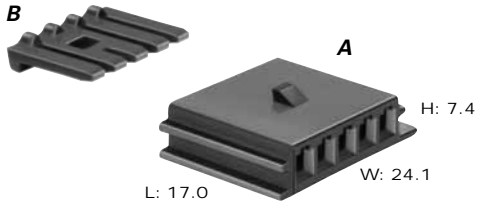
**E. Part No: 12064772**

Description:	TPA
Color:	Black
Material:	PBT

NOTE: Specifications in this catalog are for general reference only and are subject to change without notice. To verify product information, please contact a Delphi representative.



# 150 Device Connections

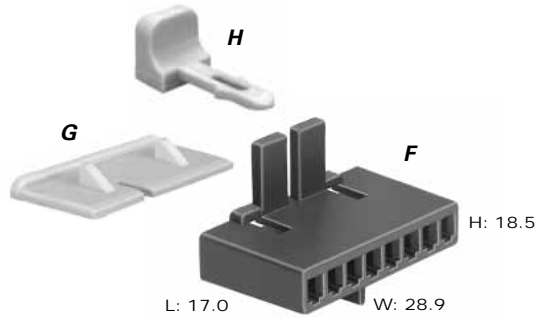


**A. Part No: 12059800**

Description:	Connector 5F
Size:	17.0L x 7.4H x 24.1W
Color:	Black
Material:	PA66 HS IM
Terminals:	See Page 2.2
Typical App:	Motor

**B. Part No: 12059801**

Description:	TPA
Color:	Md. Gray
Material:	PA66 HS IM



**F. Part No: 12064862**

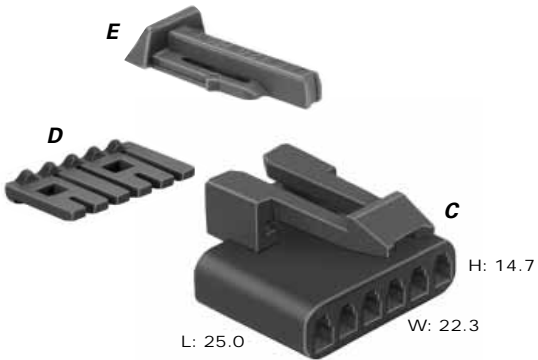
Description:	Connector 8F
Size:	17.0L x 18.5H x 28.9W
Color:	Black
Material:	PA66 HS IM
Terminals:	See Page 2.2
Typical App:	Mirror Switch

**G. Part No: 12064863**

Description:	TPA
Color:	Lt. Gray
Material:	PA66 HS IM

**H. Part No: 12020833**

Description:	CPA
Color:	Gray
Material:	PBT



**C. Part No: 12064860**

Description:	Connector 6F
Size:	25.0L x 14.7H x 22.3W
Color:	Black
Material:	PBT
Terminals:	See Page 2.2
Typical App:	Switch

**D. Part No: 12064861**

Description:	TPA
Color:	Md. Gray
Material:	PA66 HS IM

**E. Part No: 12052834**

Description:	CPA
Color:	Green
Material:	PP

**NOTE:** Specifications in this catalog are for general reference only and are subject to change without notice. To verify product information, please contact a Delphi representative.