



040III High Density

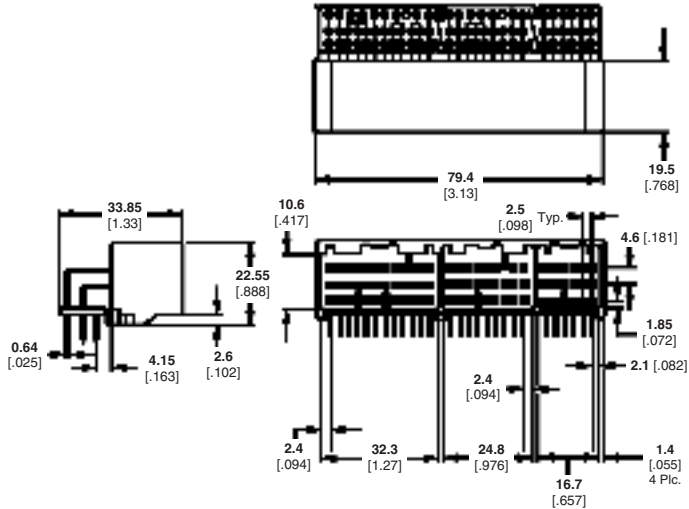
Cap Housing

72
P

□-353830-1

Mating Plug

- 17 Position: 353027-□ (See page 53)
- 24 Position: 353029-□ (See page 53)
- 31 Position: 353031-□ (See page 53)

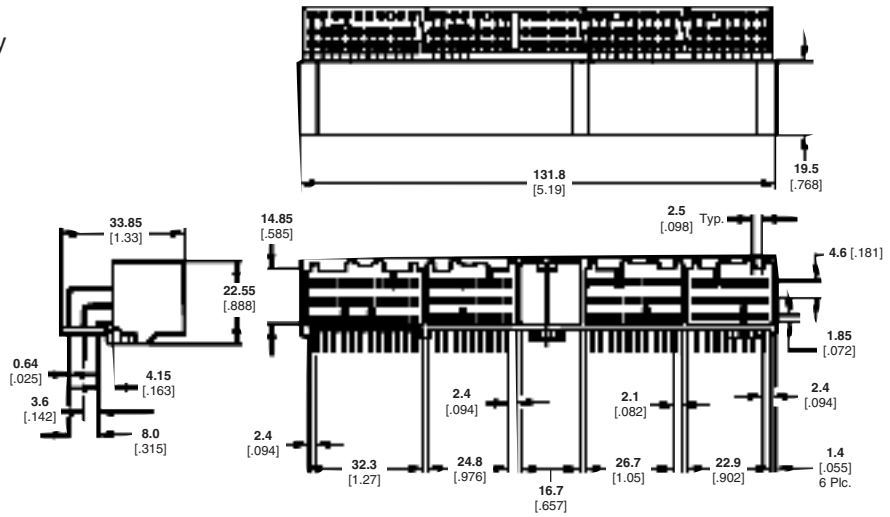


105
P

□-353016-□
353824-□ Different Key

Mating Plug

- 22 Position: □-353028-□ (See page 53)
- 24 Position: □-355029-□ (See page 53)
- 28 Position: □-353030-□ (See page 3)
- 31 Position: □-353031-□ (See page 53)

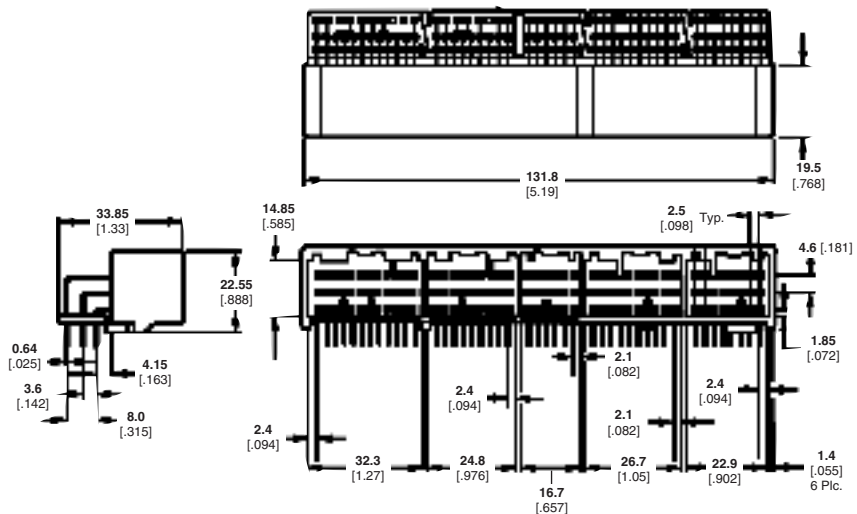


122
P

□-353015-□

Mating Plug

- 17 Position: □-353027-□ (See page 53)
- 22 Position: □-353028-□ (See page 53)
- 24 Position: □-355029-□ (See page 53)
- 28 Position: □-353030-□ (See page 53)
- 31 Position: □-353031-□ (See page 53)

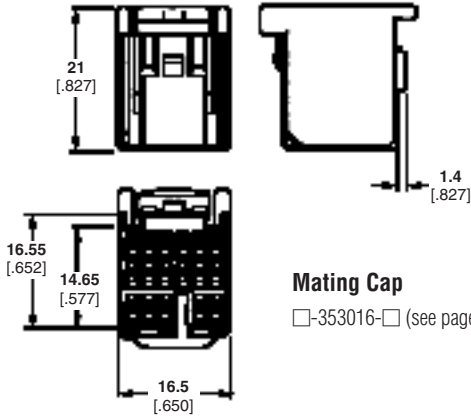


040III High Density (Continued)

Plug Housing

**17
P**

353027-1

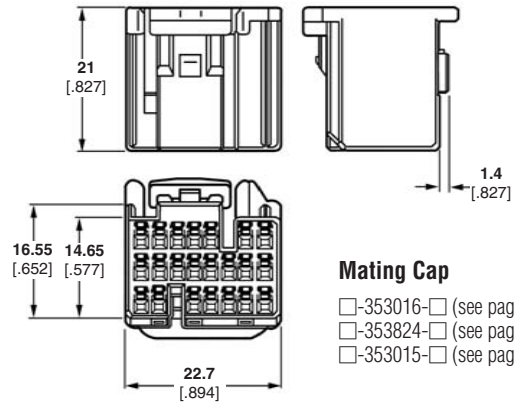


Mating Cap

□-353016-□ (see page 52)

**22
P**

353028-□

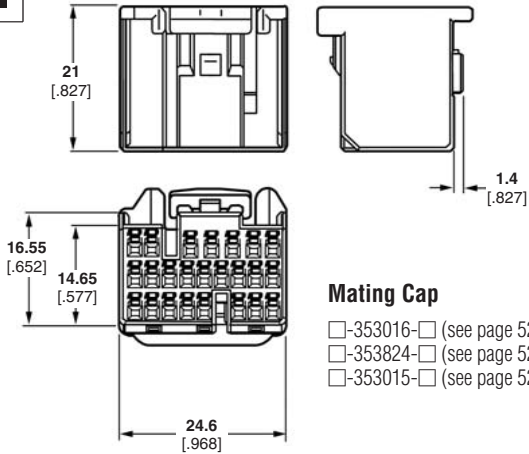


Mating Cap

□-353016-□ (see page 52)
□-353824-□ (see page 52)
□-353015-□ (see page 52)

**24
P**

353029-□

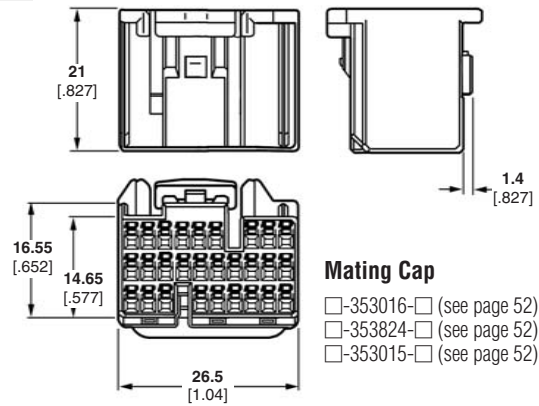


Mating Cap

□-353016-□ (see page 52)
□-353824-□ (see page 52)
□-353015-□ (see page 52)

**28
P**

353030-□

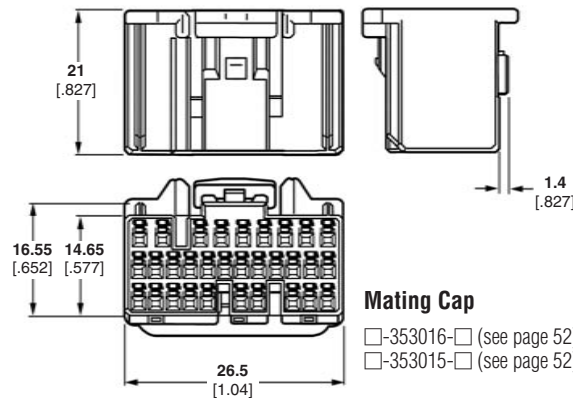


Mating Cap

□-353016-□ (see page 52)
□-353824-□ (see page 52)
□-353015-□ (see page 52)

**31
P**

353031-□
353826-1 (Different Key,
mates with □-353824-□)



Mating Cap

□-353016-□ (see page 52)
□-353015-□ (see page 52)



040III High Density (Continued)

Receptacle Contact					
Type of Contact	Wire Range	Wire Ins. Diameter	Material/Plating	Part Number	Applicator No.
<p>Application Specification: 114-5217</p>	0.3-0.5mm ² (AWG#22-20)	ø1.1-1.8mm	Max 251C Pre-Tin	316836-1	234588-2
			Max 251C Gold	316836-2	
			Max251C Gold	1-316837-2	
	0.5-1.25mm ² (AWG#20-16)	ø1.8-2.5mm	Max 251C Pre-Tin	316838-1	915766-2