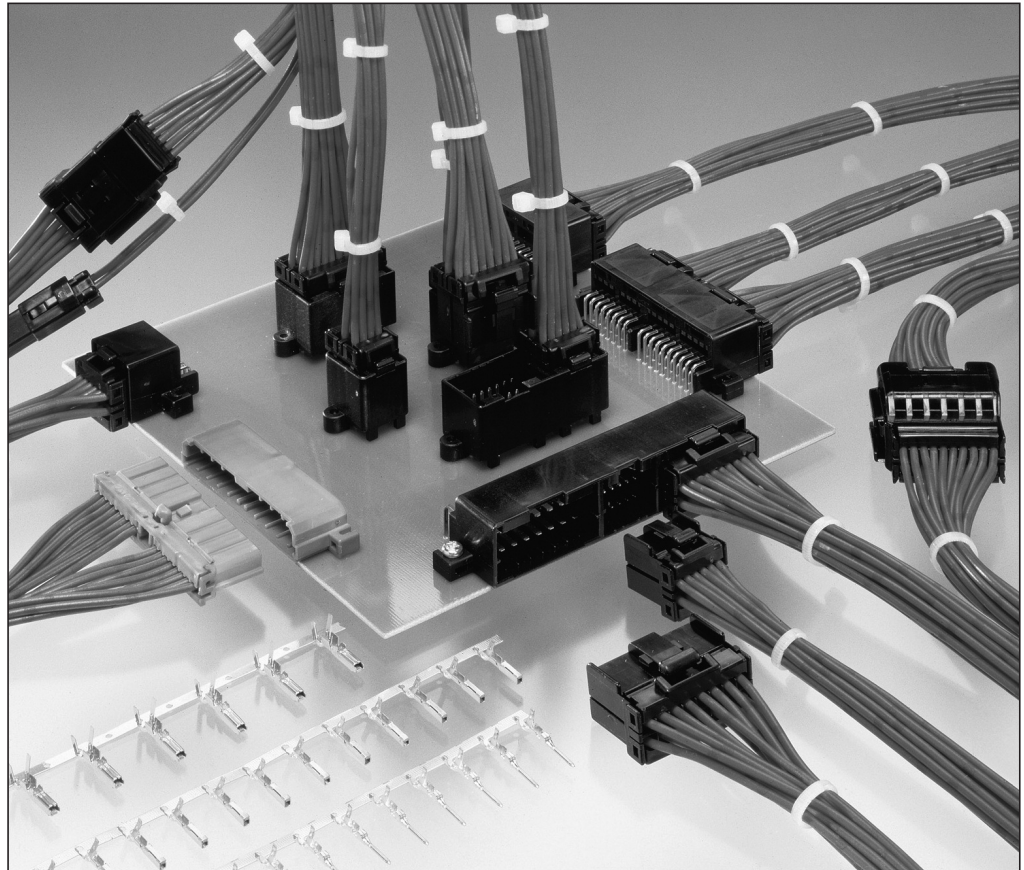


Introduction



**.040 MULTILOCK Connectors are Wire-to-Wire and Wire-to-Board Connectors widely used for Automotive Applications.**



**Features**

- Contacts are spaced at 2.5 mm centerline.
- Connectors are easy to handle.
- Connectors are consisted of plug housings, receptacle contacts for wire termination, and cap housing assemblies for horizontal and vertical mountings on PC boards.
- The contacting point of a receptacle contact is designed to be protected.
- The plug housings are provided with double-lock mechanism integrated into the body which ensures complete contact insertions into housings.
- The cap housing assemblies of 36, 48, 64 Positions of horizontal board mounting types are also available with hybrid styles to accept signal circuits with .040 series and power circuits with .070.

**Application Specifications:**

- 114-5108 (.040 Tab Contact)
- 114-5094 (.040 Rec. Contact)
- 114-5162 (.040 Rec. Contact)
- 114-5109 (.070 Rec. Contact)
- 114-5156 (.070 Rec. Contact)

**Product Specifications:**

- 108-5244 (Wire to Board)
- 108-5352 (Wire to Wire)
- 108-5471 (Wire to Wire, 14 Pos.)

**Instruction Sheet:**

411-5883

Available No. of Positions for

**Wire-to-Wire Applications:**  
2, 4, 12, 14, 20

**Wire-to-Board Applications:**  
8, 12, 14, 16, 20, 28, 36, 48, 64

Receptacle Contacts (for Plug Housing)

**Technical Features**

**Contact Material:**

Copper Alloy

**Contact Finishes:**

Pre-tin plated

Selective gold plated

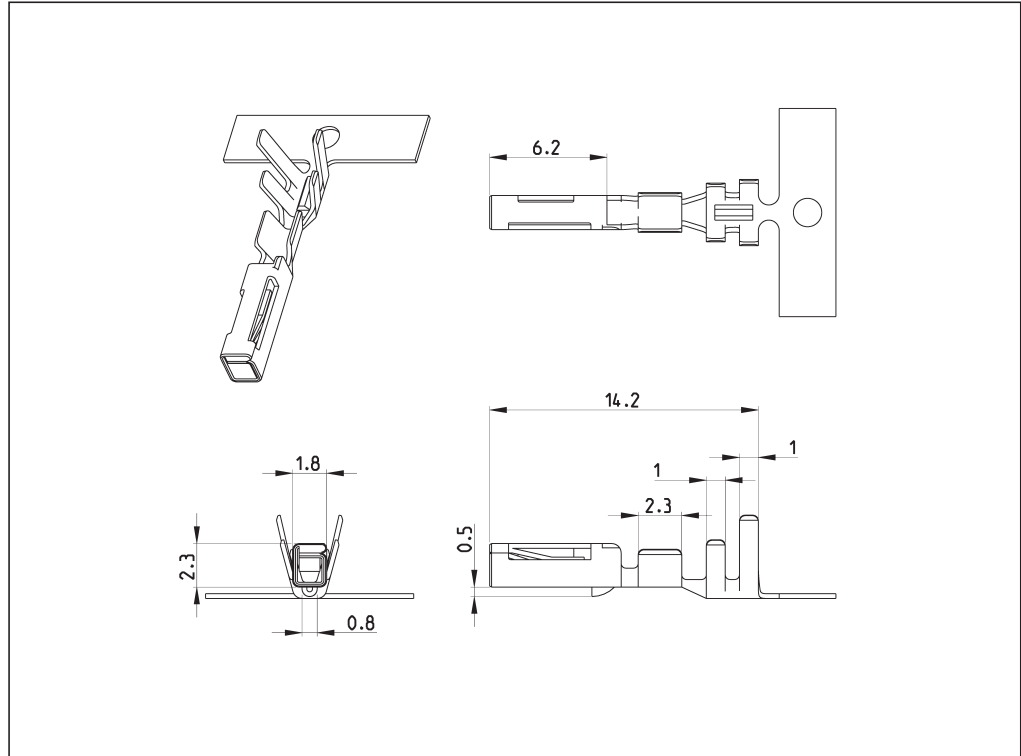
**Application Specifications:**

114-5094

114-5162

**Instruction Sheet:**

408-8547-1



Wire Size Range		Wire Insulation Diameter (mm)	Finish	Part Numbers		
(mm <sup>2</sup> )	(AWG)			Strip Form	Loose-Piece	Hand Tool
0.3-0.5	22-20*	1.1-1.6	Copper Alloy, pre-tinned	175180-1	-	-
			Copper Alloy, selective gold	175180-2	-	-
		1.8-2.0	Copper Alloy, pre-tinned	173681-1	175062-1	91577-1
			Copper Alloy, selective gold	173681-2	175062-2	

\*) 040 Series for signal circuit. **(Extraction Tool:** Part No. 755430-1 (IS-288J)

**Note:** All Part Numbers are RoHS and ELV compliant.

Tab Contacts (for Cap Housing) Wire-to-Wire

**Technical Features**

**Contact Material:**

Brass

**Contact Finishes:**

Pre-tin plated

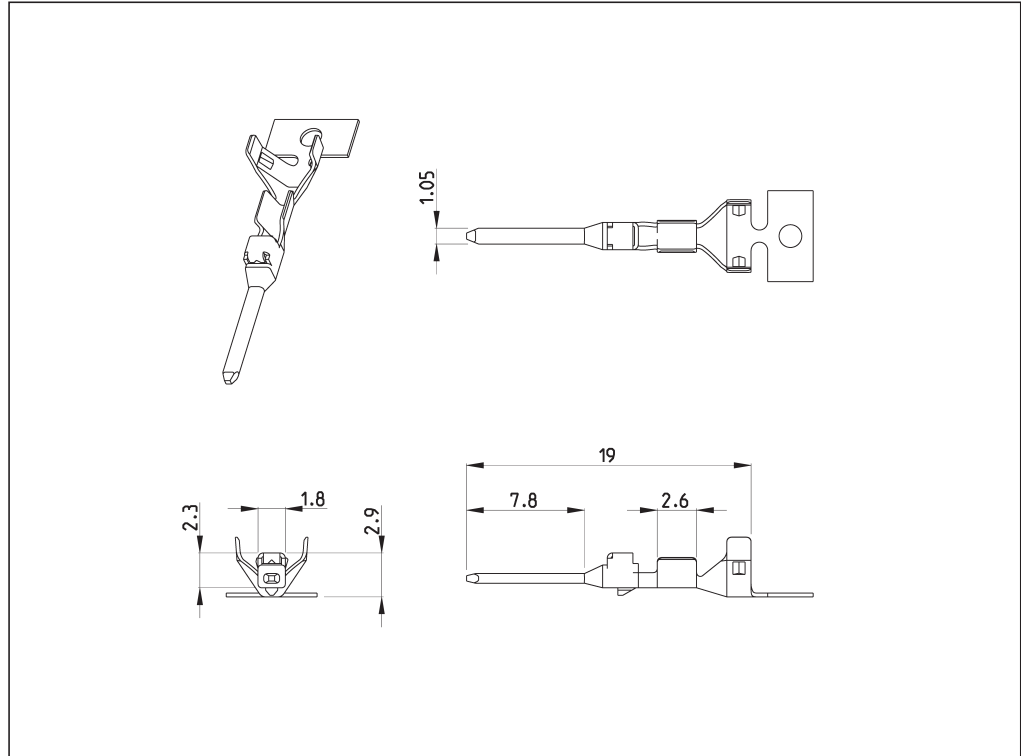
Selective gold plated

**Application Specification:**

114-5108

**Instruction Sheet:**

408-8547-1



Wire Size Range		Wire Insulation Diameter (mm)	Finish	Part Numbers		
(mm <sup>2</sup> )	(AWG)			Strip Form	Loose-Piece	Hand Tool
0.3-0.5	22-20	0.3-0.5	Pre-tin plated	173682-1	175063-1	91577-1
			Selective gold plated	2098032-3	175063-1	

**Note:** All Part Numbers are RoHS and ELV compliant.

.070 Receptacle Contacts (for 16 Position Plug, 174147-2)

**Technical Features**

**Contact Material:**

Copper Alloy

**Contact Finishes:**

Pre-tin plated

Selective gold plated

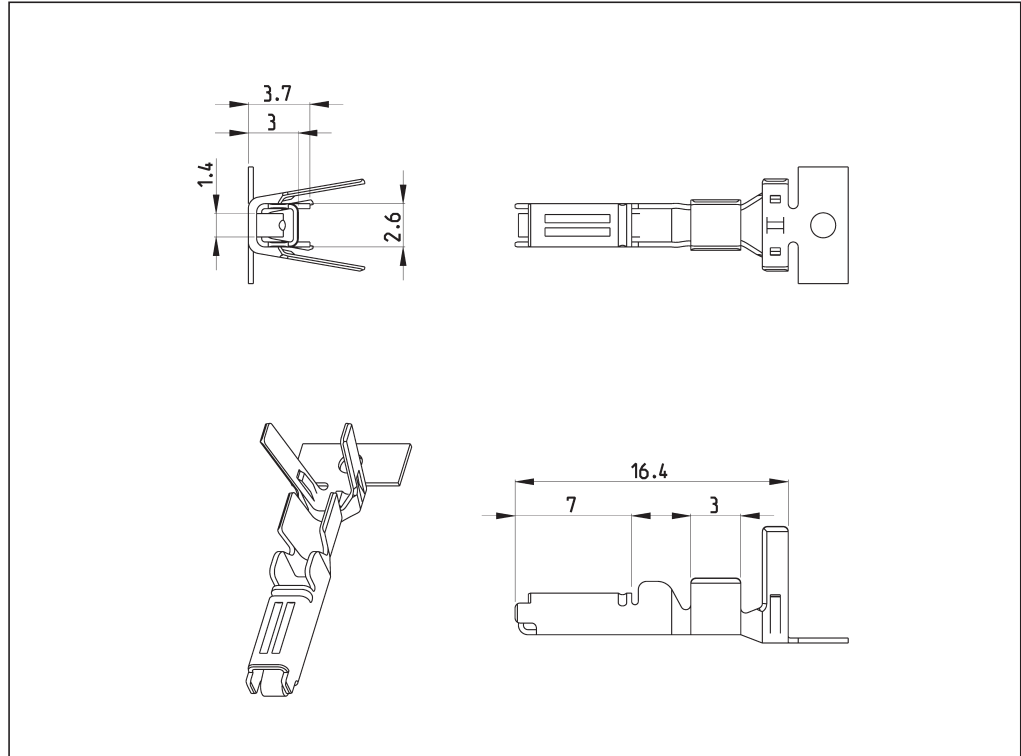
**Application Specifications:**

114-5109

114-5156

**Instruction Sheet:**

411-5422



Wire Size Range		Wire Insulation Diameter (mm)	Finish	Part Numbers		
(mm <sup>2</sup> )	(AWG)			Strip Form	Loose-Piece	Hand Tool
0.5–2.0	20–14	2.2–2.9	Copper Alloy, pre-tinned	173708-1	175081-1	911771-1
			Copper Alloy, selective gold	173708-2	175081-2	
0.50–1.25	20–16	1.3–2.1	Copper Alloy, pre-tinned	175221-1	–	

**Note:** All Part Numbers are RoHS and ELV compliant.

Wire-to-Wire Applications

**Technical Features**

**No. of Positions:**

2 Positions

**Applicable Wires:**

- .040: 0.3–0.5 mm<sup>2</sup> (AWG 22–20)

**Raw Material:**

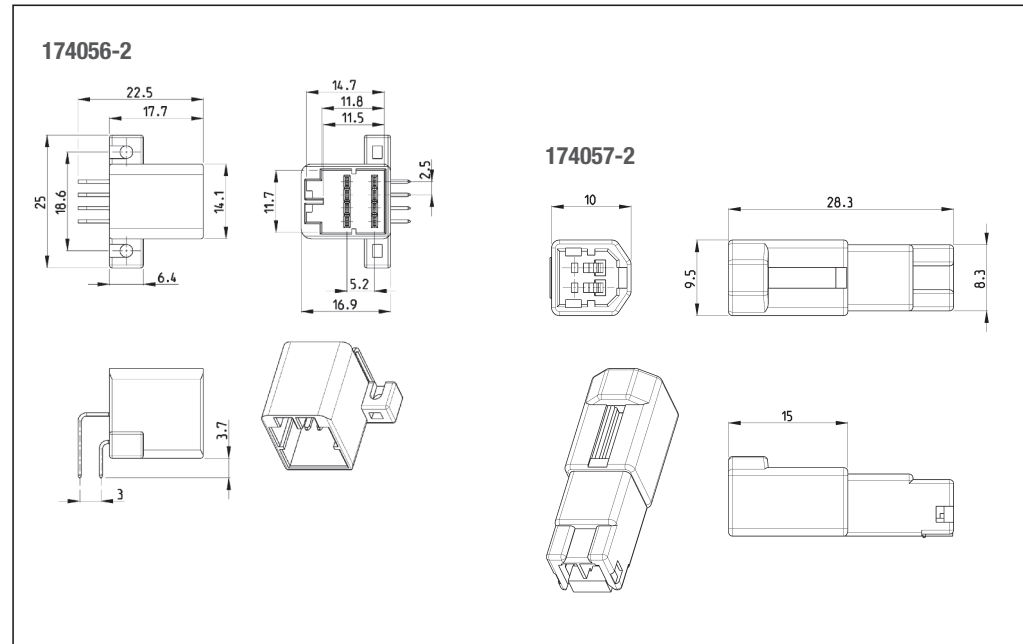
- Housing
- Cap: PBT
- Plug: PBT

**Product Specification:**

108-5352

**Application Specifications:**

- 114-5108 (040 tab contacts)
- 114-5094 (040 receptacle contacts)
- 114-5162 (040 receptacle contacts)



**Technical Features**

**No. of Positions:**

4 Positions

**Applicable Wires:**

- .040: 0.3–0.5 mm<sup>2</sup> (AWG 22–20)

**Raw Material:**

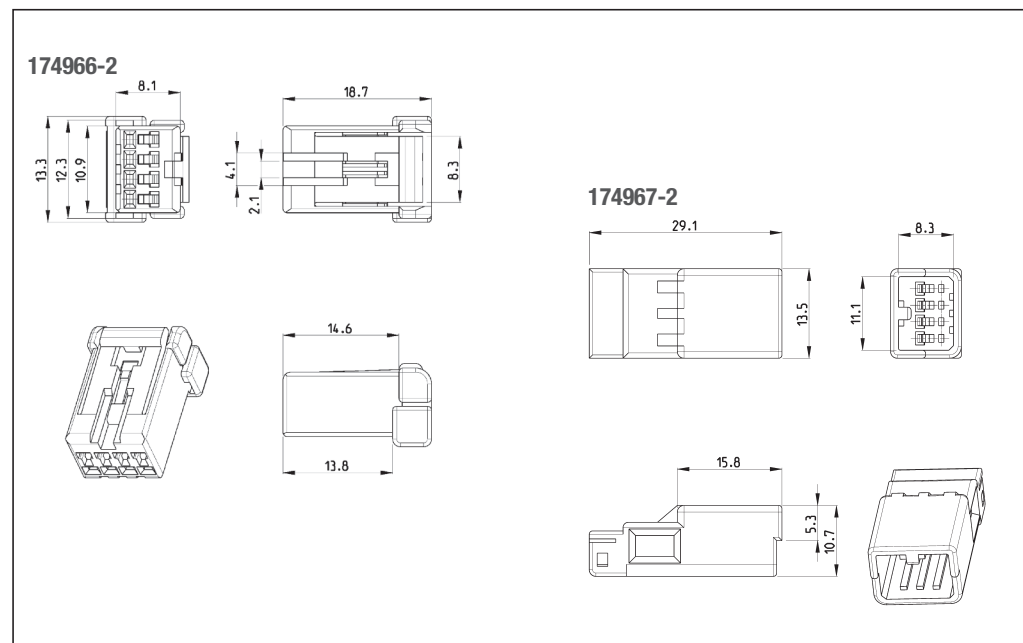
- Housing
- Cap: PBT
- Plug: PBT

**Product Specification:**

108-5352

**Application Specifications:**

- 114-5108 (040 tab contacts)
- 114-5094 (040 receptacle contacts)
- 114-5162 (040 receptacle contacts)



No. of Positions	Terminate To	Plug Assembly	Cap Housing	Cap Housing Horizontal Mount	Cap Housing Vertical Mount	Mating Plug
2	Wire	174056-2	174057-2			
4	Wire	174966-2	174967-2			

**Note:** All Part Numbers are RoHS and ELV compliant.

Wire-to-Wire Applications

**Technical Features**

**No. of Positions:**

6 Positions

**Applicable Wires:**

- .040: 0.3–0.5 mm<sup>2</sup> (AWG 22–20)

**Raw Material:**

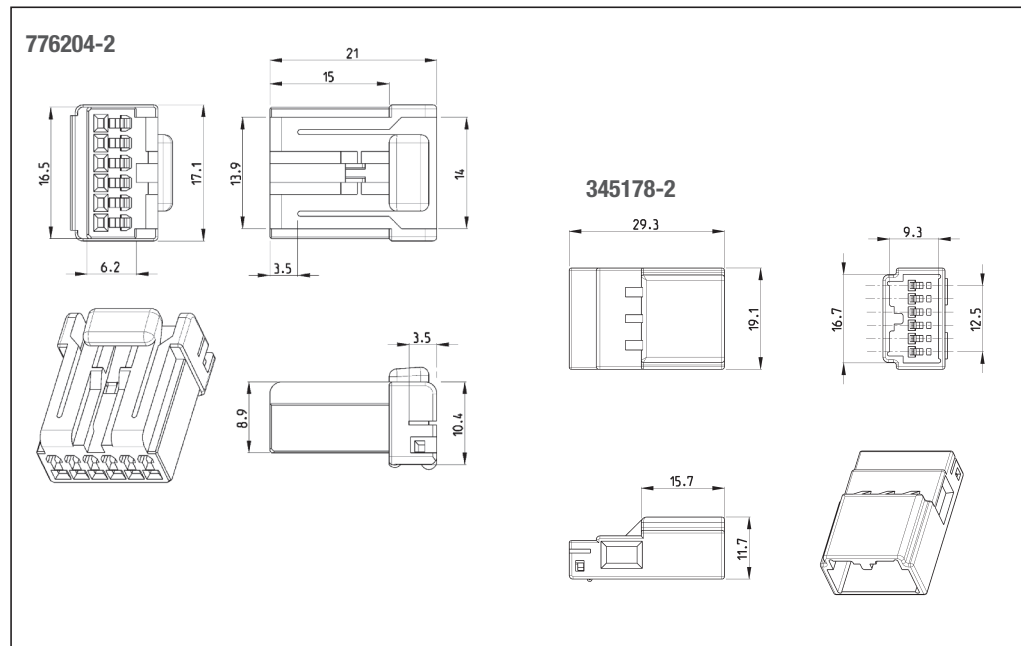
- Housing
- Cap: PBT
- Plug: PBT

**Product Specification:**

108-5352

**Application Specifications:**

- 114-5108 (040 tab contacts)
- 114-5094 (040 receptacle contacts)
- 114-5162 (040 receptacle contacts)



**Technical Features**

**No. of Positions:**

12 Positions

**Applicable Wires:**

- .040: 0.3–0.5 mm<sup>2</sup> (AWG 22–20)

**Raw Material:**

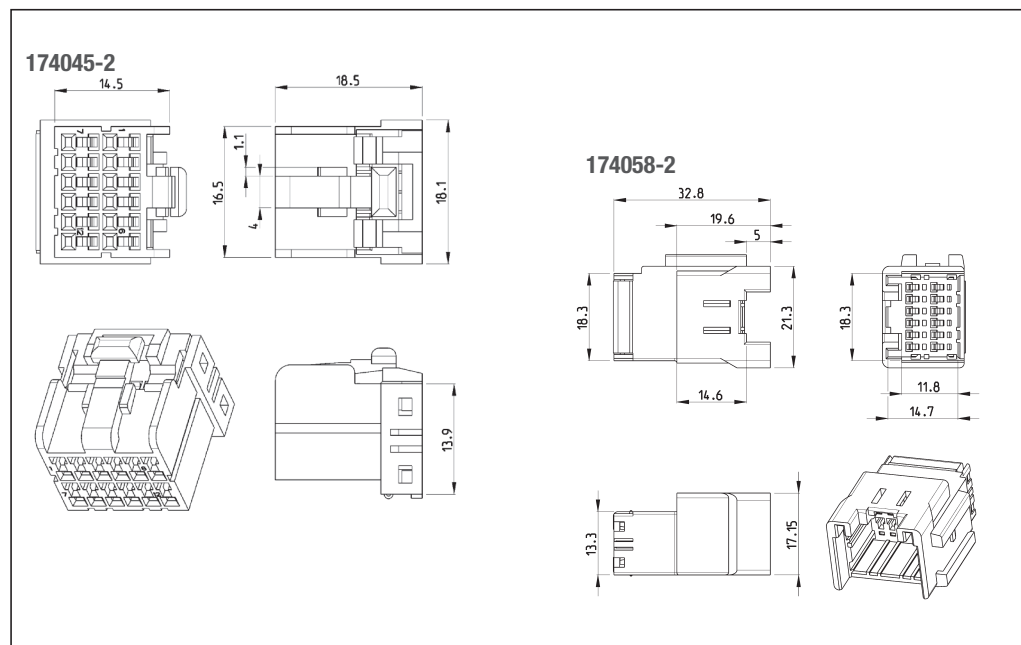
- Housing
- Cap: PBT
- Plug: PBT

**Product Specification:**

108-5352

**Application Specifications:**

- 114-5108 (040 tab contacts)
- 114-5094 (040 receptacle contacts)
- 114-5162 (040 receptacle contacts)



No. of Positions	Terminate To	Plug Assembly	Cap Housing	Cap Housing Horizontal Mount	Cap Housing Vertical Mount	Mating Plug
6	Wire	776204-2	345178-2			
12	Wire	174045-2	174058-2			

**Note:** All Part Numbers are RoHS and ELV compliant.

Wire-to-Wire Applications

**Technical Features**

**No. of Positions:**

14 Positions

**Applicable Wires:**

- .040: 0.3–0.5 mm<sup>2</sup> (AWG 22–20)

**Raw Material:**

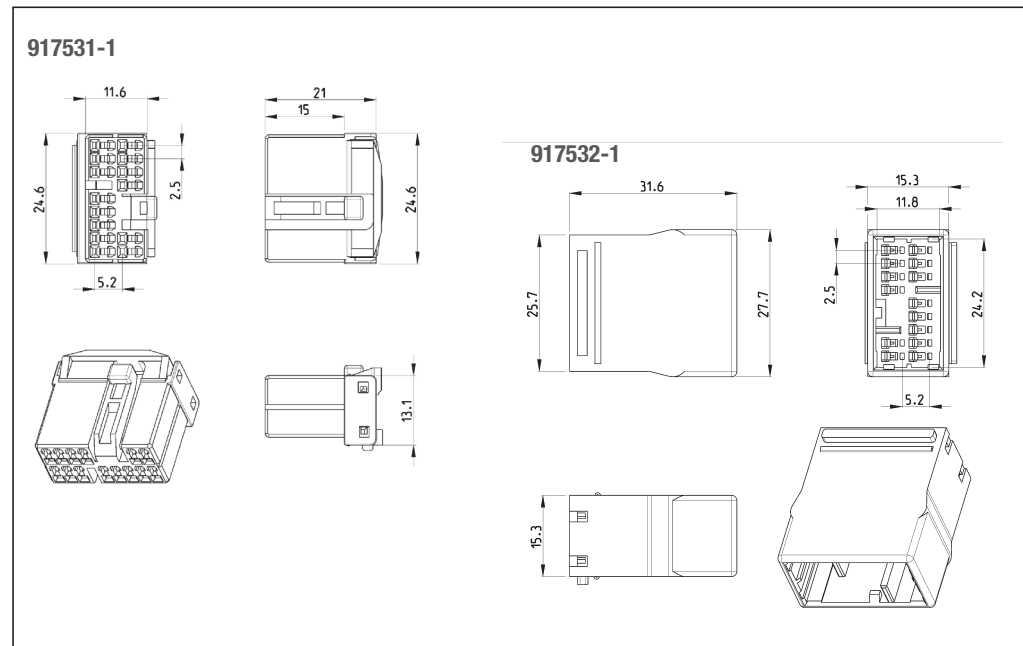
- Housing
- Cap: PBT
- Plug: PBT

**Product Specification:**

108-5352

**Application Specifications:**

- 114-5108 (040 tab contacts)
- 114-5094 (040 receptacle contacts)
- 114-5162 (040 receptacle contacts)



**Technical Features**

**No. of Positions:**

16 Positions

**Applicable Wires:**

- .040: 0.3–0.5 mm<sup>2</sup> (AWG 22–20)

**Raw Material:**

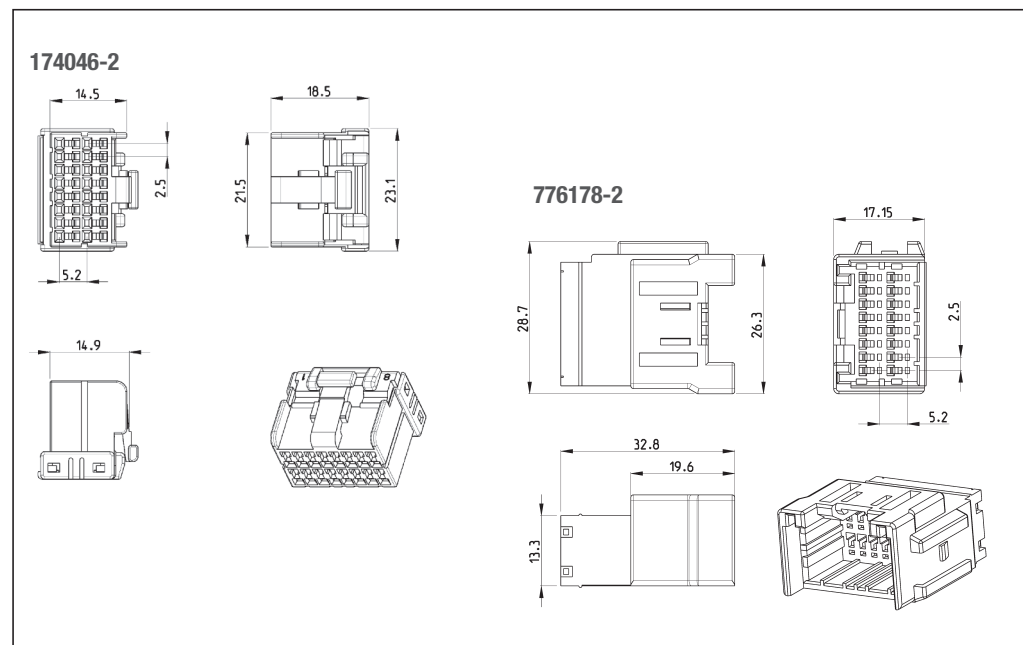
- Housing
- Cap: PBT
- Plug: PBT

**Product Specification:**

108-5352

**Application Specifications:**

- 114-5108 (040 tab contacts)
- 114-5094 (040 receptacle contacts)
- 114-5162 (040 receptacle contacts)



No. of Positions	Terminate To	Plug Assembly	Cap Housing	Cap Housing Horizontal Mount	Cap Housing Vertical Mount	Mating Plug
14	Wire	917531-1	917532-1			
16	Wire	174046-2	776178-2			

**Note:** All Part Numbers are RoHS and ELV compliant.

Wire-to-Wire Applications

**Technical Features**

**No. of Positions:**

20 Positions

**Applicable Wires:**

- .040: 0.3–0.5 mm<sup>2</sup> (AWG 22–20)

**Raw Material:**

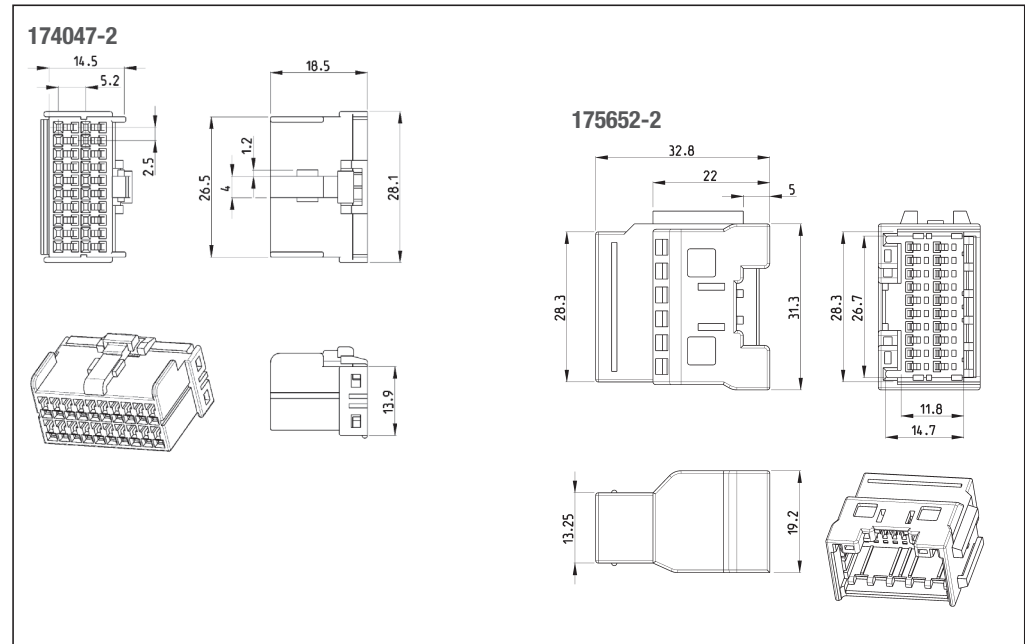
- Housing
- Cap: PBT
- Plug: PBT

**Product Specification:**

108-5352

**Application Specifications:**

- 114-5108 (040 tab contacts)
- 114-5094 (040 receptacle contacts)
- 114-5162 (040 receptacle contacts)



No. of Positions	Terminate To	Plug Assembly	Cap Housing	Cap Housing Horizontal Mount	Cap Housing Vertical Mount	Mating Plug
20	Wire	174047-2	175652-2			

**Note:** All Part Numbers are RoHS and ELV compliant.



Wire-to-Board Applications

**Technical Features**

**No. of Positions:**

6 Positions

**Applicable Wires:**

- .040: 0.3–0.5 mm<sup>2</sup> (AWG 22–20)

**Raw Material:**

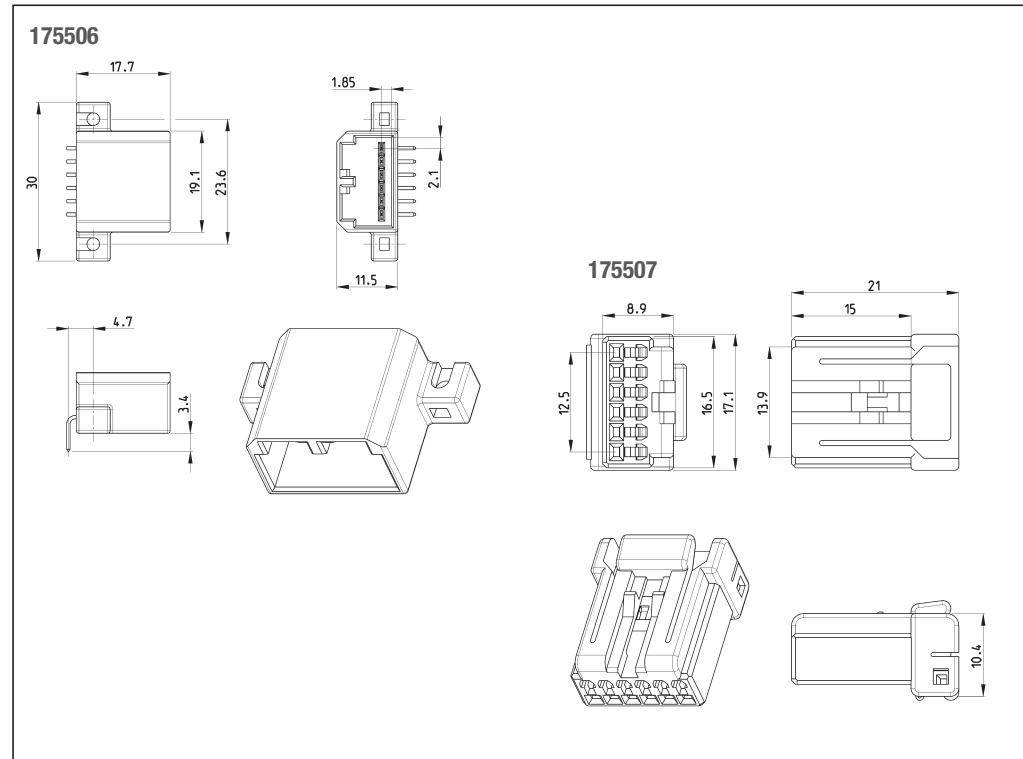
- Housing  
Cap: PBT  
Plug: PBT

**Product Specification:**

108-5244

**Application Specifications:**

- 114-5094 (040 receptacle contacts)
- 114-5162 (040 receptacle contacts)



No. of Positions	Terminate To	Plug Assembly	Cap Housing	Cap Housing Horizontal Mount	Cap Housing Vertical Mount	Mating Plug
6	Board			776203 (Board Lock)	175507	
				638102	638100	
				175506	175507	

**Note:** All Part Numbers are RoHS and ELV compliant.

Wire-to-Board Applications

**Technical Features**

**No. of Positions:**

8 Positions

**Applicable Wires:**

- .040: 0.3–0.5 mm<sup>2</sup> (AWG 22–20)

**Raw Material:**

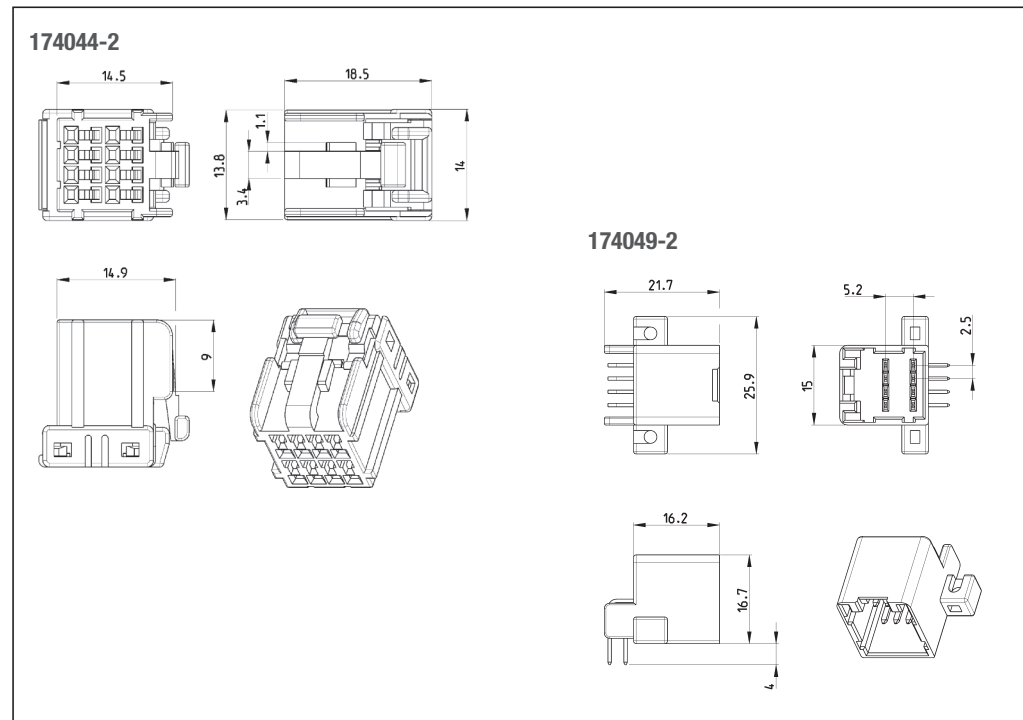
- Housing
- Cap: PBT
- Plug: PBT

**Product Specification:**

108-5244

**Application Specifications:**

- 114-5094 (040 receptacle contacts)
- 114-5162 (040 receptacle contacts)



**Technical Features**

**No. of Positions:**

12 Positions

**Applicable Wires:**

- .040: 0.3–0.5 mm<sup>2</sup> (AWG 22–20)

**Raw Material:**

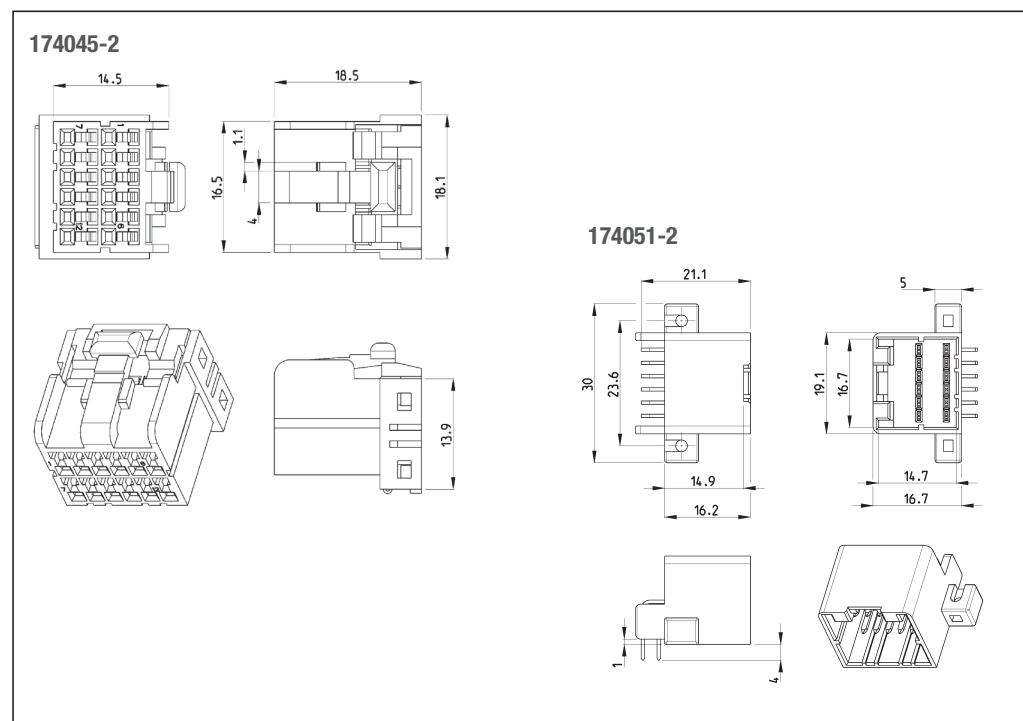
- Housing
- Cap: PBT
- Plug: PBT

**Product Specification:**

108-5244

**Application Specifications:**

- 114-5094 (040 receptacle contacts)
- 114-5162 (040 receptacle contacts)



No. of Positions	Terminate To	Plug Assembly	Cap Housing	Cap Housing Horizontal Mount	Cap Housing Vertical Mount	Mating Plug
8	Board	174044-2	178455-1 (Panel Mount)	174049-2	174971-2	
12	Board	174045-2		174051-2	174973-2	

**Note:** All Part Numbers are RoHS and ELV compliant.

Wire-to-Board Applications

**Technical Features**

**No. of Positions:**

14 Positions

**Applicable Wires:**

- .040: 0.3–0.5 mm<sup>2</sup> (AWG 22–20)

**Raw Material:**

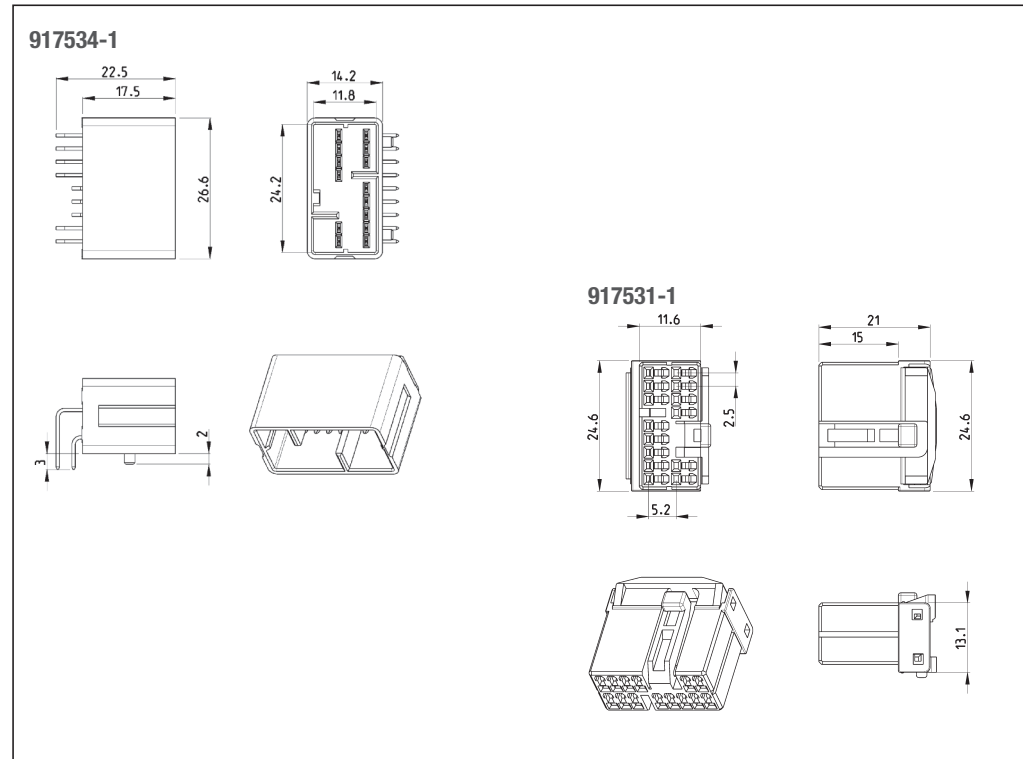
- Housing
- Cap: PBT
- Plug: PBT

**Product Specification:**

108-5244

**Application Specifications:**

- 114-5094 (040 receptacle contacts)
- 114-5162 (040 receptacle contacts)



No. of Positions	Terminate To	Plug Assembly	Cap Housing	Cap Housing Horizontal Mount	Cap Housing Vertical Mount	Mating Plug
14	Board			917534-1 917604-1	917535-1 917603-1	917531-1

**Note:** All Part Numbers are RoHS and ELV compliant.

Wire-to-Board Applications

**Technical Features**

**No. of Positions:**

16 Positions

**Applicable Wires:**

- .040: 0.3–0.5 mm<sup>2</sup> (AWG 22–20)

**Raw Material:**

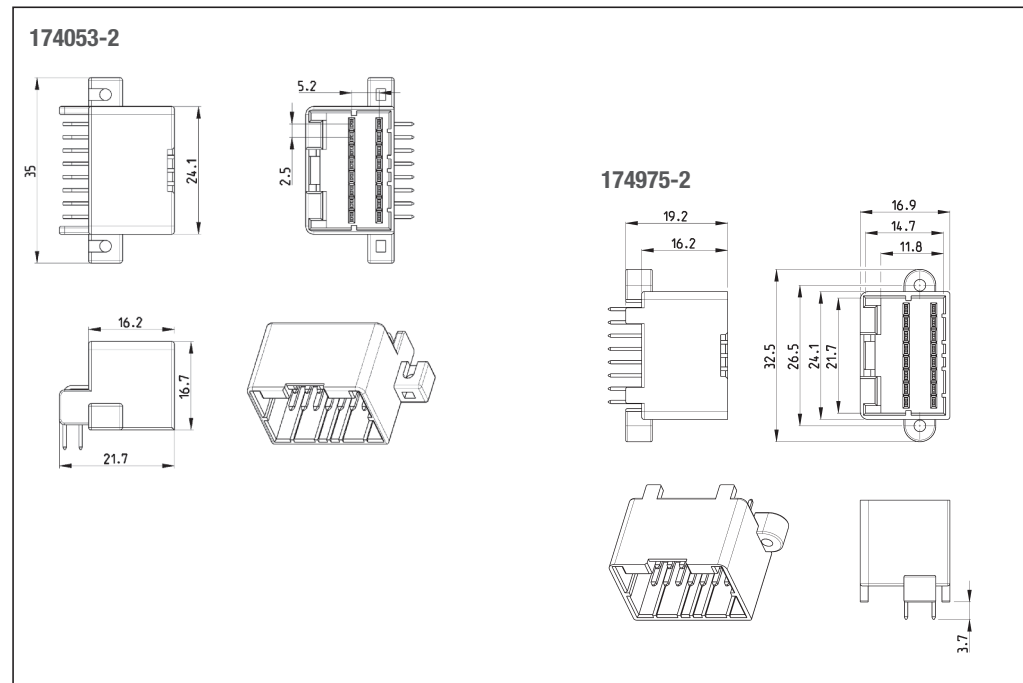
- Housing
- Cap: PBT
- Plug: PBT

**Product Specification:**

108-5244

**Application Specifications:**

- 114-5094 (040 receptacle contacts)
- 114-5162 (040 receptacle contacts)



**Technical Features**

**No. of Positions:**

20 Positions

**Applicable Wires:**

- .040: 0.3–0.5 mm<sup>2</sup> (AWG 22–20)

**Raw Material:**

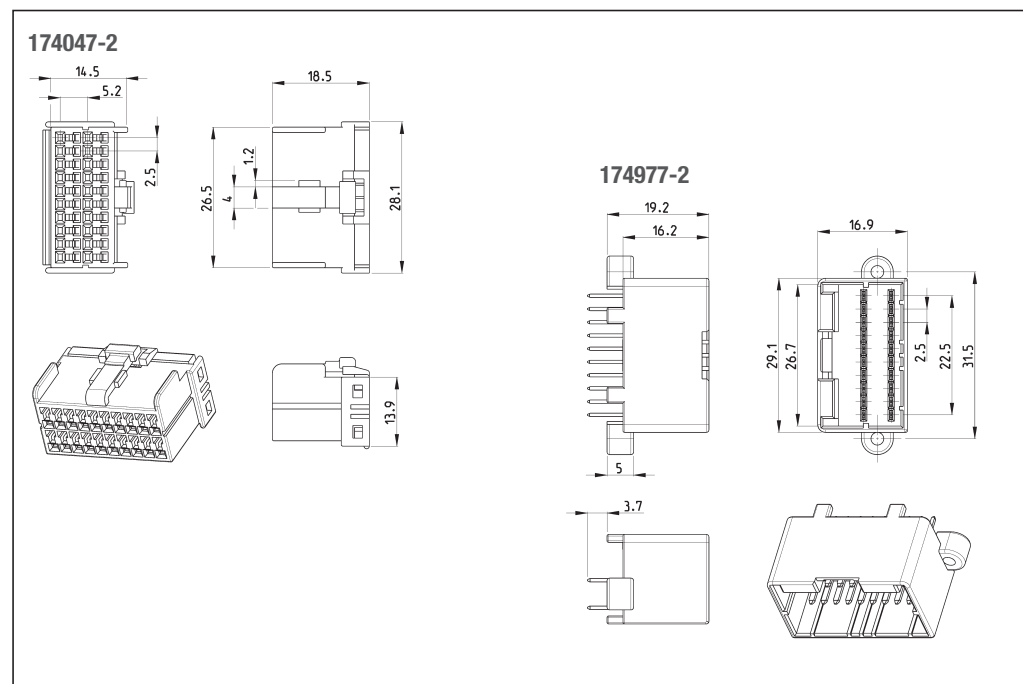
- Housing
- Cap: PBT
- Plug: PBT

**Product Specification:**

108-5244

**Application Specifications:**

- 114-5094 (040 receptacle contacts)
- 114-5162 (040 receptacle contacts)



No. of Positions	Terminate To	Plug Assembly	Cap Housing Horizontal Mount	Cap Housing Vertical Mount	Mating Plug
16	Board	174046-2	174053-2	174975-2	
16	Board	174060-5 (single row)	174062-5 (single row)		
20	Board	174047-2	174055-2	174977-2	

**Note:** All Part Numbers are RoHS and ELV compliant.

Wire-to-Board Applications

**Technical Features**

**No. of Positions:**

28 Positions

**Applicable Wires:**

- .040: 0.3–0.5 mm<sup>2</sup> (AWG 22–20)

**Raw Material:**

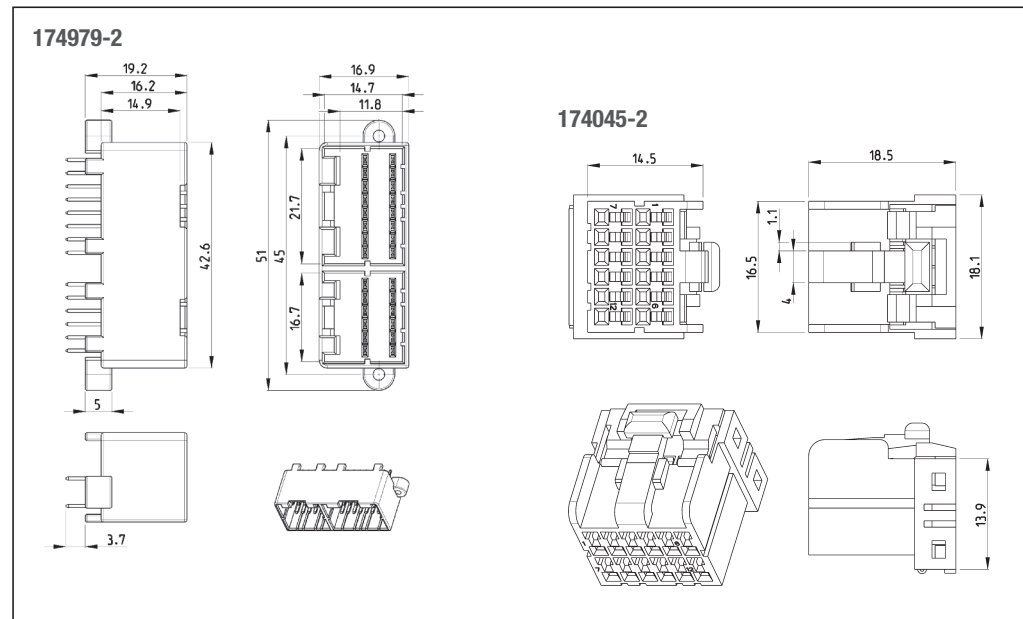
- Housing  
Cap: PBT  
Plug: PBT

**Product Specification:**

108-5244

**Application Specifications:**

- 114-5094 (040 receptacle contacts)
- 114-5162 (040 receptacle contacts)



**Technical Features**

**No. of Positions:**

36 Positions

**Applicable Wires:**

- .040: 0.3–0.5 mm<sup>2</sup> (AWG 22–20)

**Raw Material:**

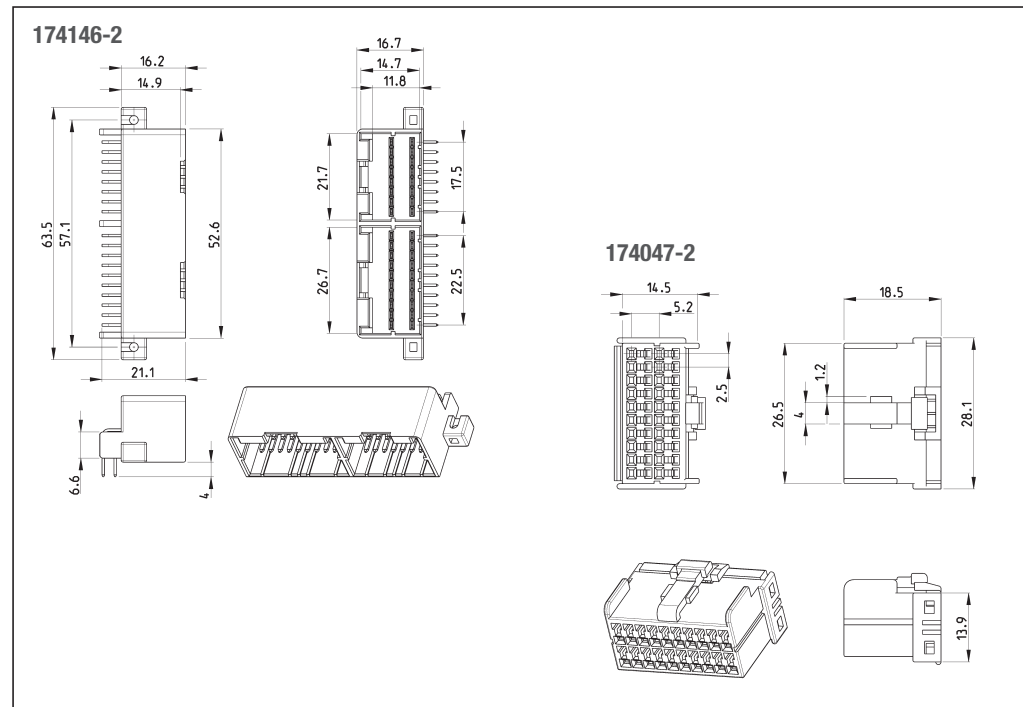
- Housing  
Cap: PBT  
Plug: PBT

**Product Specification:**

108-5244

**Application Specifications:**

- 114-5094 (040 receptacle contacts)
- 114-5162 (040 receptacle contacts)



No. of Positions	Terminate To	Cap Housing Horizontal Mount	Cap Housing Vertical Mount	Mating Plug
28	Board		174979-2	12P: 174045-2 16P: 174046-2
36	Board	174146-2		20P: 174047-2 16P: 174046-2
36	Board	178460-1		20P: 174047-2 16P: 174147-2

**Note:** All Part Numbers are RoHS and ELV compliant.

Wire-to-Board Applications

**Technical Features**

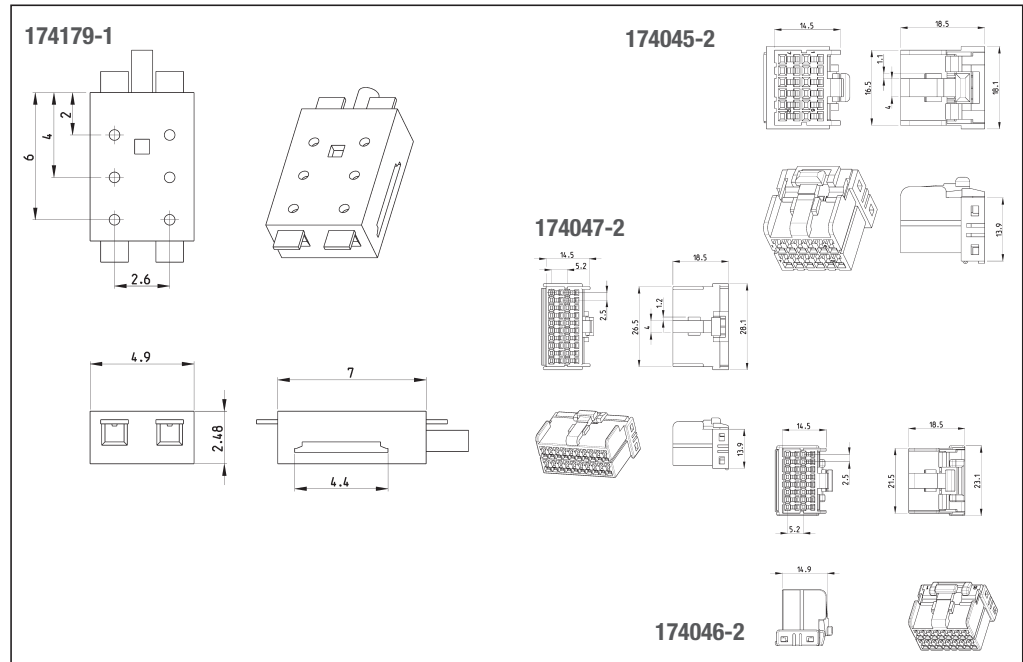
**No. of Positions:**  
48 Positions

**Applicable Wires:**  
• .040: 0.3–0.5 mm<sup>2</sup> (AWG 22–20)

**Raw Material:**  
• Housing  
Cap: PBT  
Plug: PBT

**Product Specification:**  
108-5244

**Application Specifications:**  
114-5094 (040 receptacle contacts)  
114-5162 (040 receptacle contacts)



**Technical Features**

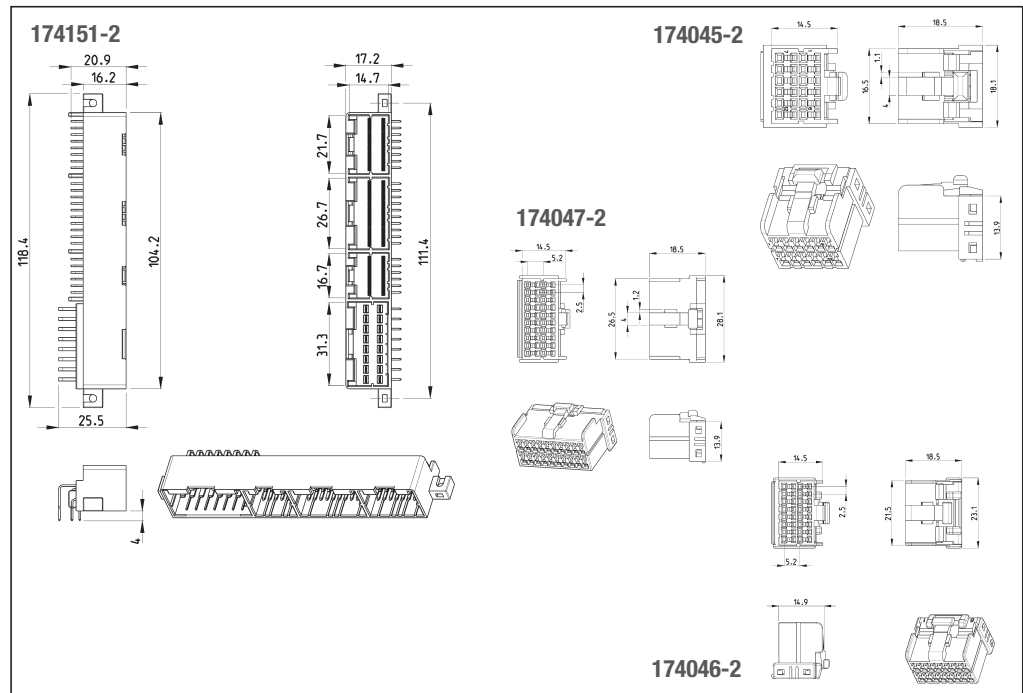
**No. of Positions:**  
60 Positions

**Applicable Wires:**  
• .040: 0.3–0.5 mm<sup>2</sup> (AWG 22–20)

**Raw Material:**  
• Housing  
Cap: PBT  
Plug: PBT

**Product Specification:**  
108-5244

**Application Specifications:**  
114-5094 (040 receptacle contacts)  
114-5162 (040 receptacle contacts)



No. of Positions	Terminate To	Cap Housing Horizontal Mount	Cap Housing Vertical Mount	Mating Plug
48	Board	174179-1		12P: 174045-2 16P: 174147-2 20P: 174047-2
64	Board	3-174151-2		12P: 174045-2 16P: 174147-2 20P: 174047-2 16P: 174046-2

**Note:** All Part Numbers are RoHS and ELV compliant.