

Low-way plug-in connections

Jetronic plugs

General information

Illustration



Features

- ▶ Sealed plug-in connection
- ▶ No. of contacts 2...7
- ▶ Individual wire seal

Technical description

The 2..7-way Jetronic wiring-harness connectors are durable plug-in connections for engine-compartment applications. The plug-in connection is suitable for soft engine attachment.

Injectors were one of the first plug-in connection applications. This is a general-purpose plug-in connection. It has an interfacial seal and individual wire seals are used for the wiring.

Technical features

- ▶ Vibration resistance: 10 g
- ▶ Temperature range: -40...130° C
- ▶ Tightness: IP X6K, X7, X9K, 6KX (dust)
- ▶ Connection cross-sections: 0.2...2.5 mm² (JPT)
- ▶ Suitable contacts: JPT with individual wire seal
- ▶ Blade: JPT 2.8 mm

All the currently applicable quotation drawings and technical customer documentation for the Jetronic plug product category can be found in the internet under www.bosch-connectors.com.

3-way assembled socket housing

Illustration



Product information

Product code	VNP-JETR-2/3P
Designation	Jetronic plug
Part number	1 284 485 064
Quotation drawing (component)	D 280 202 461


Technical data

No. of poles	3
Color (FA)	Black
Encoding	1
Secondary lock	None
Type of contact	JT/JPT
Type of seal (plug)	Interfacial seal
Type of seal (cable)	Rubber grommet
Vibration resistance	10 g
Dimensions (L x W x H)	28.00 x 18.00 x 28.00 mm
Temperature range, min./max.	-40 / 130 °C
Row spacing	1.00 mm
Degree of protection	IPX4
Comments	Not to be used for new development


Low-way plug-in connections

Jetronic plugs


3-way assembled socket housing

Illustration		Technical data	
		No. of poles	3
		Color (FA)	Gray
		Encoding	1
		Secondary lock	None
		Type of contact	JT/JPT
		Type of seal (plug)	Interfacial seal
		Type of seal (cable)	Rubber grommet
		Vibration resistance	10 g
		Dimensions (L x W x H)	28.00 x 18.00 x 28.00 mm
		Temperature range, min./max.	-40 / 130 °C
		Row spacing	1.00 mm
		Applications	Engine attachment
		Degree of protection	IPX4
		Comments	Not to be used for new development
Product information			
Product code	VNP-JETR-2/3P		
Designation	Jetronic plug		
Part number	1 284 485 098		
Quotation drawing (component)	D 280 202 461		

7-way assembled socket housing

Illustration		Technical data	
		No. of poles	7
		Color (FA)	Black
		Encoding	1
		Secondary lock	None
		Type of contact	JPT
		Type of seal (plug)	By interfacial seal
		Type of seal (cable)	Rubber grommet
		Vibration resistance	10 g
		Dimensions (L x W x H)	48.00 x 18.00 x 28.00 mm
		Temperature range, min./max.	-40 / 130 °C
		Contact spacing	5 mm
		Row spacing	1.00 mm
		Applications	Engine attachment
		Degree of protection	IPX4
		Comments	180° change in contact fitting position possible
Product information			
Product code	VNP-JETR-4//7P		
Designation	Jetronic plug		
Part number	1 284 485 108		
Quotation drawing (component)	D 281 010 081A		

2-way assembled socket housing

Illustration		Technical data	
		No. of poles	2
		Color (FA)	Black
		Encoding	1
		Secondary lock	None
		Type of contact	JPT
		Type of seal (plug)	By interfacial seal
		Type of seal (cable)	Protective cap
		Vibration resistance	15 g
		Dimensions (L x W x H)	28.00 x 23.00 x 27.00 mm
		Temperature range, min./max.	-40 / 130 °C
		Row spacing	1.00 mm
		Applications	Engine attachment
		Degree of protection	IP 54 A
		Comments	No longer to be used for new applications. Refer to replacement type in A 928 000 102 (manual release: 180° change in contact fitting position possible)
		Other features (SO)	Ver. 2
Product information			
Product code	VNP-JETR-2/3P		
Designation	Jetronic plug		
Part number	1 284 485 110		
Quotation drawing (component)	D 281 010 081		

Low-way plug-in connections

Jetronic plugs

6-way assembled socket housing

Illustration



Product information

Product code	VNP-JETR-4//7P
Designation	Jetronic plug
Part number	1 284 485 114
Quotation drawing (component)	D 281 010 081

Technical data

No. of poles	6
Color (FA)	Black
Encoding	1
Secondary lock	None
Type of contact	JPT
Type of seal (plug)	By interfacial seal
Type of seal (cable)	Rubber grommet
Vibration resistance	10 g
Dimensions (L x W x H)	43.00 x 18.00 x 28.00 mm
Temperature range, min./max.	-40 / 130 °C
Row spacing	1.00 mm
Applications	Engine attachment
Degree of protection	IPX4
Comments	180° change in contact fitting position possible
Other features (SO)	Manual release

4-way assembled socket housing

Illustration



Product information

Product code	VNP-JETR-4//7P
Designation	Jetronic plug
Part number	1 284 485 118
Quotation drawing (component)	D 281 010 081

Technical data

No. of poles	4
Color (FA)	Black
Encoding	1
Secondary lock	None
Type of contact	JPT
Type of seal (plug)	By interfacial seal
Type of seal (cable)	Rubber grommet
Vibration resistance	10 g
Dimensions (L x W x H)	43.00 x 24.50 x 28.00 mm
Temperature range, min./max.	-40 / 130 °C
Row spacing	1.00 mm
Applications	Engine attachment
Degree of protection	IPX4
Comments	180° change in contact fitting position possible
Other features (SO)	Manual release

3-way assembled socket housing

Illustration



Product information

Product code	VNP-JETR-2//3P
Designation	Jetronic plug
Part number	1 284 485 120
Quotation drawing (component)	D 281 010 081


Technical data

No. of poles	3
Color (FA)	White
Encoding	1
Secondary lock	None
Type of contact	JPT
Type of seal (plug)	By interfacial seal
Type of seal (cable)	Rubber grommet
Vibration resistance	10 g
Dimensions (L x W x H)	31.00 x 23.30 x 28.00 mm
Temperature range, min./max.	-40 / 130 °C
Row spacing	1.00 mm
Applications	Engine attachment
Degree of protection	IPX4
Comments	180° change in contact fitting position possible
Other features (SO)	Manual release


Low-way plug-in connections

Jetronic plugs


2-way assembled socket housing

Illustration		Technical data	
		No. of poles	2
		Color (FA)	Yellow
		Encoding	1
		Secondary lock	None
		Type of contact	JPT
		Type of seal (plug)	By interfacial seal
		Type of seal (cable)	Rubber grommet
		Vibration resistance	10 g
		Dimensions (L x W x H)	28.00 x 23.00 x 17.00 mm
		Temperature range, min./max.	-40 / 130 °C
		Row spacing	1.00 mm
		Degree of protection	IPX5
		Comments	Manual release; 180° change in contact fitting position possible
		Other features (SO)	Ver. 1
Product information			
Product code	VNP-JETR-2/3P		
Designation	Jetronic plug		
Part number	1 284 485 126		
Quotation drawing (component)	D 281 010 081		

2-way assembled socket housing

Illustration		Technical data	
		No. of poles	2
		Color (FA)	Black
		Encoding	1
		Secondary lock	None
		Type of contact	JT
		Type of seal (plug)	By interfacial seal
		Type of seal (cable)	Rubber grommet
		Vibration resistance	10 g
		Dimensions (L x W x H)	28.00 x 23.00 x 17.00 mm
		Temperature range, min./max.	-40 / 130 °C
		Row spacing	1.00 mm
		Applications	Bodywork attachment
		Degree of protection	IPX4k
		Comments	Manual release; contact fitting position cannot be changed; ultrasonic caulking possible
		Other features (SO)	Ver. 2
Product information			
Product code	VNP-JETR-2/3P		
Designation	Jetronic plug		
Part number	1 284 485 134		
Quotation drawing (component)	D 280 208 781A		


3-way assembled socket housing

Illustration		Technical data	
		No. of poles	3
		Color (FA)	Black
		Encoding	1
		Secondary lock	None
		Type of contact	JPT
		Type of seal (plug)	By interfacial seal
		Type of seal (cable)	Rubber grommet
		Vibration resistance	10 g
		Dimensions (L x W x H)	31.00 x 23.30 x 28.00 mm
		Temperature range, min./max.	-40 / 130 °C
		Row spacing	1.00 mm
		Applications	Engine attachment
		Degree of protection	IPX4
		Comments	Contact fitting position cannot be changed; ultrasonic caulking possible
		Other features (SO)	Manual release
Product information			
Product code	VNP-JETR-2/3P		
Designation	Jetronic plug		
Part number	1 284 485 136		
Quotation drawing (component)	D 280 208 781		

Low-way plug-in connections


Jetronic plugs

5-way assembled socket housing

Illustration	
	
Product information	
Product code	VNP-JETR-4//7P
Designation	Jetronic plug
Part number	1 284 485 138
Quotation drawing (component)	D 280 208 781


Technical data	
No. of poles	5
Color (FA)	Black
Encoding	1
Secondary lock	None
Type of contact	JPT
Type of seal (plug)	By interfacial seal
Type of seal (cable)	Rubber grommet
Vibration resistance	10 g
Dimensions (L x W x H)	38.00 x 18.00 x 28.00 mm
Temperature range, min./max.	-40 / 130 °C
Row spacing	1.00 mm
Applications	Engine attachment
Comments	Contact fitting position cannot be changed; ultrasonic caulking possible
Other features (SO)	Manual release

2-way assembled socket housing

Illustration	
	
Product information	
Product code	VNP-JETR-2/3P
Designation	Jetronic plug
Part number	1 284 485 141
Quotation drawing (component)	D 281 010 081

Technical data	
No. of poles	2
Color (FA)	White
Encoding	1
Secondary lock	None
Type of contact	JPT
Type of seal (plug)	By interfacial seal
Type of seal (cable)	Rubber grommet
Vibration resistance	10 g
Dimensions (L x W x H)	28.00 x 23.00 x 17.00 mm
Temperature range, min./max.	-40 / 130 °C
Row spacing	1.00 mm
Applications	Engine attachment
Degree of protection	IPX5
Comments	Manual release; 180° change in contact fitting position possible
Other features (SO)	Ver. 1

2-way assembled socket housing

Illustration	
	
Product information	
Product code	VNP-JETR-2/3P
Designation	Jetronic plug
Part number	1 284 485 147
Quotation drawing (component)	D 281 010 081

Technical data	
No. of poles	2
Color (FA)	blue
Encoding	1
Secondary lock	None
Type of contact	JPT
Type of seal (plug)	By interfacial seal
Type of seal (cable)	Rubber grommet
Vibration resistance	10 g
Dimensions (L x W x H)	28.00 x 23.00 x 17.00 mm
Temperature range, min./max.	-40 / 130 °C
Row spacing	1.00 mm
Applications	Engine attachment
Degree of protection	IPX5
Comments	Manual release; 180° change in contact fitting position possible
Other features (SO)	Ver. 1

Low-way plug-in connections

Jetronic plugs

5-way assembled socket housing

Illustration



Product information

Product code	VNP-JETR-4//7P
Designation	Jetronic plug
Part number	1 284 485 232
Quotation drawing (component)	D 281 010 081

Technical data

No. of poles	5
Color (FA)	Black
Encoding	1
Secondary lock	None
Type of contact	JPT
Type of seal (plug)	By interfacial seal
Type of seal (cable)	Rubber grommet
Vibration resistance	10 g
Dimensions (L x W x H)	38.00 x 18.00 x 28.00 mm
Temperature range, min./max.	-40 / 130 °C
Row spacing	1.00 mm
Applications	Engine attachment
Degree of protection	IPX4
Comments	180° change in contact fitting position possible
Other features (SO)	Manual release

2-way connector housing

Illustration



Product information

Product code	VNP-JETR-2/3P
Designation	Jetronic plug
Part number	1 928 401 920
Quotation drawing (component)	A 928 000 162

Technical data

No. of poles	2
Color (FA)	Black
Type of seal (plug)	Interfacial seal
Type of seal (cable)	Rubber grommet
Vibration resistance	10 g
Temperature range, min./max.	-40 / 130 °C
Applications	Engine attachment

2-way connector housing

Illustration



Product information

Product code	VNP-JETR-2/3P
Designation	Jetronic plug
Part number	1 928 402 070
Quotation drawing (component)	A 928 000 256

Technical data

No. of poles	2
Color (FA)	Black
Encoding	1
Secondary lock	None
Type of contact	JPT
Type of seal (plug)	Interfacial seal
Type of seal (cable)	Interfacial seal
Type of locking (plug)	Rubber grommet
Vibration resistance	10 g
Dimensions (L x W x H)	19.20 x 18.50 x 29.50 mm
Temperature range, min./max.	-40 / 130 °C
Row spacing	1.00 mm
Applications	Engine attachment
Degree of protection	IPX 4,6,9 K
Other features (SO)	Cannot be manually released

Low-way plug-in connections

Jetronic plugs

2-way connector housing

Illustration



Product information

Product code	VNP-JETR-2/3P
Designation	Jetronic plug
Part number	1 928 402 078
Quotation drawing (component)	A 928 000 256

Technical data

No. of poles	2
Color (FA)	Black
Encoding	1
Secondary lock	None
Type of contact	JPT
Type of seal (plug)	Interfacial seal
Type of seal (cable)	Rubber grommet
Vibration resistance	10 g
Dimensions (L x W x H)	24.00 x 18.50 x 29.50 mm
Temperature range, min./max.	-40 / 130 °C
Row spacing	1.00 mm
Applications	Engine attachment
Degree of protection	IPX4,6,9K
Other features (SO)	Can be manually released

3-way connector housing

Illustration



Product information

Product code	VNP-JETR-2/3P
Designation	Jetronic plug
Part number	1 928 402 086
Quotation drawing (component)	A 928 402 086

Technical data

No. of poles	3
Color (FA)	Black
Encoding	1
Secondary lock	None
Type of contact	JPT
Type of seal (plug)	Interfacial seal
Type of seal (cable)	Rubber grommet
Vibration resistance	10 g
Dimensions (L x W x H)	29.00 x 18.50 x 29.50 mm
Temperature range, min./max.	-40 / 130 °C
Row spacing	1.00 mm
Applications	Engine attachment
Degree of protection	IPX4,6,9K
Other features (SO)	Can be manually released

3-way connector housing

Illustration



Product information

Product code	VNP-JETR-2/3P
Designation	Jetronic plug
Part number	1 928 402 088
Quotation drawing (component)	A 928 000 256


Technical data

No. of poles	3
Color (FA)	Black
Encoding	2
Secondary lock	None
Type of contact	JPT
Type of seal (plug)	Interfacial seal
Type of seal (cable)	Rubber grommet
Vibration resistance	10 g
Dimensions (L x W x H)	29.00 x 18.50 x 29.50 mm
Temperature range, min./max.	-40 / 130 °C
Row spacing	1.00 mm
Applications	Engine attachment
Degree of protection	IPX4,6,9K
Other features (SO)	Can be manually released


Low-way plug-in connections

Jetronic plugs


2-way socket housing

Illustration		Technical data	
		No. of poles	2
		Color (FA)	Black
		Encoding	1
		Secondary lock	None
		Type of contact	JPT
		Type of seal (plug)	Interfacial seal
		Type of seal (cable)	Individual wire seal
		Vibration resistance	10 g
		Dimensions (L x W x H)	24.00 x 25.40 x 34.00 mm
		Temperature range, min./max.	-40 / 130 °C
		Row spacing	1.00 mm
		Applications	Engine attachment
		Degree of protection	IP X 4,6,9K
		Other features (SO)	Adapter for securing clip
Product information			
Product code	VNP-JETR-2/3P		
Designation	Jetronic plug		
Part number	1 928 402 404		
Quotation drawing (component)	A 928 000 019		

2-way socket housing

Illustration		Technical data	
		No. of poles	2
		Color (FA)	Black
		Encoding	2
		Secondary lock	None
		Type of contact	JPT
		Type of seal (plug)	Interfacial seal
		Type of seal (cable)	Individual wire seal
		Vibration resistance	10 g
		Dimensions (L x W x H)	24.00 x 25.40 x 34.00 mm
		Temperature range, min./max.	-40 / 130 °C
		Row spacing	1.00 mm
		Applications	Engine attachment
		Degree of protection	IP X 4,6,9K
		Other features (SO)	Adapter for securing clip
Product information			
Product code	VNP-JETR-2/3P		
Designation	Jetronic plug		
Part number	1 928 402 405		
Quotation drawing (component)	A 928 000 019		


2-way socket housing

Illustration		Technical data	
		No. of poles	2
		Color (FA)	Black
		Encoding	3
		Secondary lock	None
		Type of contact	JPT
		Type of seal (plug)	Interfacial seal
		Type of seal (cable)	Individual wire seal
		Vibration resistance	10 g
		Dimensions (L x W x H)	24.00 x 25.40 x 34.00 mm
		Temperature range, min./max.	-40 / 130 °C
		Row spacing	1.00 mm
		Applications	Engine attachment
		Degree of protection	IP X 4,6,9K
		Other features (SO)	Adapter for securing clip
Product information			
Product code	VNP-JETR-2/3P		
Designation	Jetronic plug		
Part number	1 928 402 406		
Quotation drawing (component)	A 928 000 019		

Low-way plug-in connections


Jetronic plugs

2-way socket housing

Illustration	
	
Product information	
Product code	VNP-JETR-2/3P
Designation	Jetronic plug
Part number	1 928 402 407
Quotation drawing (component)	A 928 000 019


Technical data	
No. of poles	2
Color (FA)	Black
Encoding	4
Secondary lock	None
Type of contact	JPT
Type of seal (plug)	Interfacial seal
Type of seal (cable)	Individual wire seal
Vibration resistance	10 g
Dimensions (L x W x H)	24.00 x 25.40 x 34.00 mm
Temperature range, min./max.	-40 / 130 °C
Row spacing	1.00 mm
Applications	Engine attachment
Degree of protection	IP X 4,6,9K
Other features (SO)	Adapter for securing clip

3-way socket housing

Illustration	
	
Product information	
Product code	VNP-JETR
Designation	Jetronic plug
Part number	1 928 402 412
Quotation drawing (component)	A 928 000 019

Technical data	
No. of poles	3
Encoding	1
Secondary lock	None
Type of contact	JPT
Type of seal (plug)	Interfacial seal
Type of seal (cable)	Individual wire seal
Vibration resistance	10 g
Dimensions (L x W x H)	29.00 x 25.40 x 34.00 mm
Temperature range, min./max.	-40 / 130 °C
Row spacing	1.00 mm
Applications	Engine attachment
Degree of protection	IP X 4,6,9 K
Other features (SO)	Adapter for securing clip

3-way socket housing

Illustration	
	
Product information	
Product code	VNP-JETR
Designation	Jetronic plug
Part number	1 928 402 413
Quotation drawing (component)	A 928 000 019

Technical data	
No. of poles	3
Color (FA)	Black
Encoding	2
Secondary lock	None
Type of contact	JPT
Type of seal (plug)	Interfacial seal
Type of seal (cable)	Individual wire seal
Vibration resistance	10 g
Dimensions (L x W x H)	29.00 x 25.40 x 34.00 mm
Temperature range, min./max.	-40 / 130 °C
Row spacing	1.00 mm
Applications	Engine attachment
Degree of protection	IP X 4,6,9K
Other features (SO)	Adapter for securing clip

Low-way plug-in connections

Jetronic plugs

3-way socket housing

Illustration



Product information

Product code	VNP-JETR
Designation	Jetronic plug
Part number	1 928 402 414
Quotation drawing (component)	A 928 000 019

Technical data

No. of poles	3
Color (FA)	Black
Encoding	3
Secondary lock	None
Type of contact	JPT
Type of seal (plug)	Interfacial seal
Type of seal (cable)	Individual wire seal
Vibration resistance	10 g
Dimensions (L x W x H)	29.00 x 25.40 x 34.00 mm
Temperature range, min./max.	-40 / 130 °C
Row spacing	1.00 mm
Applications	Engine attachment
Degree of protection	IP X 4,6,9K
Other features (SO)	Adapter for securing clip

2-way socket housing

Illustration



Product information

Product code	VNP-JETR-2/3P
Designation	Jetronic plug
Part number	1 928 402 571
Quotation drawing (component)	A 928 000 102

Technical data

No. of poles	2
Color (FA)	Black
Encoding	1
Secondary lock	None
Type of contact	JPT
Type of seal (plug)	Interfacial seal
Type of seal (cable)	Individual wire seal
Vibration resistance	10 g
Dimensions (L x W x H)	24.00 x 25.40 x 34.00 mm
Temperature range, min./max.	-40 / 130 °C
Row spacing	1.00 mm
Applications	Engine attachment
Degree of protection	IP X 4,6,9K
Other features (SO)	Individual wire seal, manual release

3-way socket housing

Illustration



Product information

Product code	VNP-JETR-2/3P
Designation	Jetronic plug
Part number	1 928 402 579
Quotation drawing (component)	A 928 000 102


Technical data

No. of poles	3
Color (FA)	Black
Encoding	1
Secondary lock	None
Type of contact	JPT
Type of seal (plug)	Interfacial seal
Type of seal (cable)	Individual wire seal
Vibration resistance	10 g
Dimensions (L x W x H)	29.00 x 23.00 x 34.00 mm
Temperature range, min./max.	-40 / 130 °C
Row spacing	1.00 mm
Applications	Engine attachment
Degree of protection	IP X 4,6,9K
Other features (SO)	Individual wire seal, manual release

Low-way plug-in connections


Jetronic plugs

4-way socket housing

Illustration	
	
Product information	
Product code	VNP-JETR-4//7P
Designation	Jetronic plug
Part number	1 928 402 587
Quotation drawing (component)	A 928 000 102


Technical data	
No. of poles	4
Color (FA)	Black
Encoding	1
Secondary lock	None
Type of contact	JPT
Type of seal (plug)	Interfacial seal
Type of seal (cable)	Individual wire seal
Vibration resistance	10 g
Dimensions (L x W x H)	34.60 x 23.00 x 34.00 mm
Temperature range, min./max.	-40 / 130 °C
Row spacing	1.00 mm
Applications	Engine attachment
Degree of protection	IP X 4,6,9K
Other features (SO)	Individual wire seal, can be manually released

5-way socket housing

Illustration	
	
Product information	
Product code	VNP-JETR-4//7P
Designation	Jetronic plug
Part number	1 928 402 595
Quotation drawing (component)	A 928 000 102

Technical data	
No. of poles	5
Color (FA)	Black
Encoding	1
Secondary lock	None
Type of contact	JPT
Type of seal (plug)	Interfacial seal
Type of seal (cable)	Individual wire seal
Vibration resistance	10 g
Dimensions (L x W x H)	39.60 x 23.00 x 34.00 mm
Temperature range, min./max.	-40 / 130 °C
Row spacing	1.00 mm
Applications	Engine attachment
Degree of protection	IP X 4,6,9K
Other features (SO)	Individual wire seal, manual release

6-way socket housing


Illustration	
	
Product information	
Product code	VNP-JETR-4//7P
Designation	Jetronic plug
Part number	1 928 402 603
Quotation drawing (component)	A 928 000 102

Technical data	
No. of poles	6
Color (FA)	Black
Encoding	1
Secondary lock	None
Type of contact	JPT
Type of seal (plug)	Interfacial seal
Type of seal (cable)	Individual wire seal
Vibration resistance	10 g
Dimensions (L x W x H)	44.00 x 25.40 x 34.00 mm
Temperature range, min./max.	-40 / 130 °C
Row spacing	1.00 mm
Applications	Engine attachment
Degree of protection	IP X 4,6,9K
Other features (SO)	Individual wire seal, can be manually released


Low-way plug-in connections

Jetronic plugs


3-way socket housing

Illustration		Technical data	
			
Product information			
Product code	VNP-JETR-2/3P	Color (FA)	Gray
Designation	Jetronic plug	Encoding	1
Part number	1 928 402 638	Secondary lock	None
Quotation drawing (component)	A 928 000 102	Type of contact	JPT
		Type of seal (plug)	Interfacial seal
		Type of seal (cable)	Individual wire seal
		Vibration resistance	10 g
		Dimensions (L x W x H)	29.00 x 25.40 x 34.00 mm
		Temperature range, min./max.	-40 / 130 °C
		Row spacing	1.00 mm
		Degree of protection	IP X 4,6,9 K

3-way socket housing

Illustration		Technical data	
			
Product information			
Product code	VNP-JETR-4/7P	No. of poles	3
Designation	Jetronic plug	Color (FA)	blue
Part number	1 928 402 639	Encoding	1
Quotation drawing (component)	A 928 000 102	Secondary lock	None
		Type of contact	JPT
		Type of seal (plug)	Interfacial seal
		Type of seal (cable)	Individual wire seal
		Vibration resistance	10 g
		Dimensions (L x W x H)	29.00 x 25.40 x 34.00 mm
		Temperature range, min./max.	-40 / 130 °C
		Row spacing	1.00 mm
		Applications	Engine attachment
		Degree of protection	IP X 4,6,9K
		Other features (SO)	Individual wire seal, manual release


2-way connector housing

Illustration		Technical data	
			
Product information			
Product code	VNP-JETR-2/3P	No. of poles	2
Designation	Jetronic plug	Color (FA)	Brown
Part number	1 928 402 648	Encoding	2
Quotation drawing (component)	A 928 000 256	Secondary lock	None
		Type of contact	JPT
		Type of seal (plug)	Interfacial seal
		Type of seal (cable)	Rubber grommet
		Vibration resistance	10 g
		Dimensions (L x W x H)	24.00 x 18.50 x 29.50 mm
		Temperature range, min./max.	-40 / 130 °C
		Row spacing	2.00 mm
		Applications	Engine attachment
		Degree of protection	IPX4,6,9K
		Other features (SO)	Can be manually released

Low-way plug-in connections


Jetronic plugs

2-way connector housing

Illustration	
	
Product information	
Product code	VNP-JETR-2/3P
Designation	Jetronic plug
Part number	1 928 402 652
Quotation drawing (component)	A 928 000 256


Technical data	
No. of poles	2
Color (FA)	blue
Encoding	1
Secondary lock	None
Type of contact	JPT
Type of seal (plug)	Interfacial seal
Type of seal (cable)	Rubber grommet
Vibration resistance	10 g
Dimensions (L x W x H)	24.00 x 18.50 x 29.50 mm
Temperature range, min./max.	-40 / 130 °C
Row spacing	1.00 mm
Applications	Engine attachment
Degree of protection	IPX4,6,9K
Other features (SO)	Can be manually released

2-way socket housing

Illustration	
	
Product information	
Product code	VNP-JETR-2/3P
Designation	Jetronic plug
Part number	1 928 402 908
Quotation drawing (component)	A 928 000 019

Technical data	
No. of poles	2
Color (FA)	Gray
Encoding	2
Secondary lock	None
Type of contact	JPT
Type of seal (plug)	Interfacial seal
Type of seal (cable)	Individual wire seal
Vibration resistance	10 g
Dimensions (L x W x H)	24.00 x 25.40 x 34.00 mm
Temperature range, min./max.	-40 / 130 °C
Row spacing	1.00 mm
Applications	Engine attachment
Degree of protection	IP X 4,6,9K
Other features (SO)	Adapter for securing clip

2-way socket housing


Illustration	
	
Product information	
Product code	VNP-JETR-2/3P
Designation	Jetronic plug
Part number	1 928 403 214
Quotation drawing (component)	A 928 000 256

Technical data	
No. of poles	2
Color (FA)	White
Type of seal (plug)	Interfacial seal
Type of seal (cable)	Rubber grommet
Vibration resistance	10 g
Temperature range, min./max.	-40 / 130 °C
Applications	Engine attachment

Low-way plug-in connections


Jetronic plugs

2-way socket housing

Illustration	
	
Product information	
Product code	VNP-JETR-2/3P
Designation	Jetronic plug
Part number	1 928 403 268
Quotation drawing (component)	A 928 000 102


Technical data	
No. of poles	2
Color (FA)	Gray
Encoding	1
Type of contact	JPT-contacts
Type of seal (plug)	Interfacial seal
Type of seal (cable)	Individual wire seal
Vibration resistance	10 g
Dimensions (L x W x H)	24.00 x 24.60 x 34.00 mm
Temperature range, min./max.	-40 / 130 °C
Applications	Engine attachment
Degree of protection	ip6K6K,X7,X9K

2-way assembled socket housing

Illustration	
	
Product information	
Product code	VNP-JETR-2/3P
Designation	Jetronic plug
Part number	1 928 403 490
Quotation drawing (component)	A 928 000 019

Technical data	
No. of poles	2
Color (FA)	Black
Encoding	1
Secondary lock	None
Type of contact	JPT
Type of seal (plug)	Interfacial seal
Type of seal (cable)	Individual wire seal
Vibration resistance	10 g
Dimensions (L x W x H)	24.00 x 23.00 x 34.00 mm
Temperature range, min./max.	-40 / 130 °C
Row spacing	1.00 mm
Applications	Engine attachment
Degree of protection	IPX4,6,9K
Other features (SO)	Adapter for securing clip

2-way assembled socket housing

Illustration	
	
Product information	
Product code	VNP-JETR-2/3P
Designation	Jetronic plug
Part number	1 928 404 420
Quotation drawing (component)	A 928 000 019

Technical data	
No. of poles	2
Color (FA)	Gray
Encoding	2
Secondary lock	None
Type of contact	JPT
Type of seal (plug)	Interfacial seal
Type of seal (cable)	Individual wire seal
Vibration resistance	10 g
Dimensions (L x W x H)	23.00 x 24.00 x 34.00 mm
Temperature range, min./max.	-40 / 130 °C
Row spacing	1.00 mm
Applications	Engine attachment
Degree of protection	IP X 4,6,9 K
Other features (SO)	Adapter for securing clip

Low-way plug-in connections

Jetronic coupler plugs

General information

Illustration



Features

- ▶ Coupler for Jetronic plug
- ▶ Sealed design
- ▶ 4 encoding options
- ▶ 2.8 mm flat blade can be fitted
- ▶ Mount for vehicle attachment

Technical description

The coupler plug is used as a break connector. The corresponding female plug is the Jetronic plug. The plug-in connection has an interfacial seal in the Jetronic plug. An individual wire sealing system is used for the wiring. The coupler plug is suitable for bodywork and engine attachment. It can be attached to the vehicle by means of a plastic or metal holder.

Technical features

- ▶ Vibration resistance: 10 g
- ▶ Temperature range: -40°C...+130° C
- ▶ Degree of sealing: IP X6K, X7, X9K, 6KX (dust)
- ▶ Connection cross-sections: 0.2...2.5 mm²
- ▶ Suitable contacts: Flat blade 2.8 mm
- ▶ Contact spacing: 5 mm

All currently applicable quotation drawings and technical customer documentation for the Jetronic coupler plug product category can be found in the internet under www.bosch-connectors.com.

2-way Jetronic coupler plug

Illustration



Product information

Product code	VNP-KUPP
Designation	Coupler plug
Part number	1 224 485 018
Quotation drawing (component)	C 928 003 16A


Technical data

No. of poles	2
Color (FA)	Black
Encoding	1
Secondary lock	None
Type of contact	2.8 tap
Type of seal (plug)	By axial seal at wiring-harness connector
Type of seal (cable)	Rubber grommet
Vibration resistance	10 g
Dimensions (L x W x H)	19.40 x 16.75 x 27.00 mm
Temperature range, min./max.	-40 / 130 °C
Row spacing	1.00 mm
Applications	Engine attachment


Low-way plug-in connections

Jetronic coupler plugs


2-way Jetronic coupler plug

Illustration		Technical data	
		No. of poles	2
		Color (FA)	blue
		Encoding	1
		Secondary lock	None
		Type of contact	2.8 tap
		Type of seal (plug)	By axial seal at wiring-harness connector
		Type of seal (cable)	Rubber grommet
		Type of locking (plug)	By plastic or metal holder
		Vibration resistance	20 g
		Dimensions (L x W x H)	19.40 x 16.75 x 27.00 mm
		Temperature range, min./max.	-40 / 150 °C
		Contact spacing	5 mm
		Row spacing	1.00 mm
		Applications	Bodywork attachment
Product information			
Product code	VNP-KUPP-2//7P		
Designation	Coupler plug		
Part number	1 224 485 024		
Quotation drawing (component)	C 928 003 16A		

3-way Jetronic coupler plug

Illustration		Technical data	
		No. of poles	3
		Color (FA)	Black
		Encoding	1
		Secondary lock	None
		Type of contact	FL 2.8
		Type of seal (plug)	By axial seal at wiring-harness connector
		Type of seal (cable)	Rubber grommet
		Vibration resistance	20 g
		Dimensions (L x W x H)	25.00 x 15.63 x 31.50 mm
		Contact spacing	5 mm
		Row spacing	1.00 mm
		Applications	Engine attachment
Product information			
Product code	VNP-JETR-2//3P		
Designation	Jetronic plug		
Part number	1 254 487 003		
Quotation drawing (component)	C 280 209 943		


2-way Jetronic coupler plug

Illustration		Technical data	
		No. of poles	2
		Color (FA)	Black
		Encoding	1
		Secondary lock	None
		Type of contact	2.8 tap
		Type of seal (plug)	By axial seal at wiring-harness connector
		Type of seal (cable)	Rubber grommet
		Type of locking (plug)	Plastic or metal holder
		Vibration resistance	20 g
		Dimensions (L x W x H)	19.50 x 17.20 x 33.50 mm
		Temperature range, min./max.	-40 / 150 °C
		Contact spacing	5 mm
		Row spacing	1.00 mm
		Applications	Engine attachment
		Degree of protection	IP X 4,6,9K
Product information			
Product code	VNP-KUPP-2//7P		
Designation	Coupler plug		
Part number	1 928 402 448		
Quotation drawing (component)	A 928 000 020		

Low-way plug-in connections


Jetronic coupler plugs

2-way Jetronic coupler plug

Illustration	
	
Product information	
Product code	VNP-KUPP
Designation	Coupler plug
Part number	1 928 402 449
Quotation drawing (component)	A 928 000 020


Technical data	
No. of poles	2
Color (FA)	Black
Encoding	2
Secondary lock	None
Type of contact	2.8 tap
Type of seal (plug)	By axial seal at wiring-harness connector
Type of seal (cable)	Rubber grommet
Type of locking (plug)	Plastic or metal holder
Vibration resistance	20 g
Dimensions (L x W x H)	19.10 x 17.20 x 33.50 mm
Temperature range, min./max.	-40 / 150 °C
Contact spacing	5 mm
Row spacing	1.00 mm
Applications	Engine attachment
Degree of protection	IP X 4,6,9K

3-way Jetronic coupler plug

Illustration	
	
Product information	
Product code	VNP-KUPP-2//7P
Designation	Coupler plug
Part number	1 928 402 452
Quotation drawing (component)	A 928 000 020

Technical data	
No. of poles	3
Color (FA)	Black
Encoding	1
Secondary lock	None
Type of contact	2.8 tap
Type of seal (plug)	By axial seal at wiring-harness connector
Type of seal (cable)	Rubber grommet
Type of locking (plug)	Plastic or metal holder
Vibration resistance	20 g
Dimensions (L x W x H)	24.10 x 17.20 x 33.50 mm
Temperature range, min./max.	-40 / 150 °C
Contact spacing	5 mm
Row spacing	1.00 mm
Applications	Engine attachment
Degree of protection	IP X 4,6,9K

3-way Jetronic coupler plug


Illustration	
	
Product information	
Product code	VNP-KUPP-2//7P
Designation	Coupler plug
Part number	1 928 402 806
Quotation drawing (component)	A 928 000 020

Technical data	
No. of poles	3
Color (FA)	blue
Encoding	1
Secondary lock	None
Type of contact	2.8 tap
Type of seal (plug)	By axial seal at wiring-harness connector
Type of seal (cable)	Rubber grommet
Type of locking (plug)	Plastic or metal holder
Vibration resistance	20 g
Dimensions (L x W x H)	24.10 x 17.20 x 33.50 mm
Temperature range, min./max.	-40 / 150 °C
Contact spacing	5 mm
Row spacing	1.00 mm
Applications	Engine attachment
Degree of protection	IP X 4,6,9K


Low-way plug-in connections

Jetronic coupler plugs

2-way Jetronic coupler plug

Illustration		Technical data	
		No. of poles	2
		Color (FA)	Gray
		Encoding	2
		Secondary lock	None
		Type of contact	2.8 tap
		Type of seal (plug)	By axial seal at wiring-harness connector
		Type of seal (cable)	Rubber grommet
		Type of locking (plug)	Plastic or metal holder
		Vibration resistance	20 g
		Dimensions (L x W x H)	19.10 x 17.20 x 33.50 mm
		Temperature range, min./max.	-40 / 150 °C
		Contact spacing	5 mm
		Row spacing	1.00 mm
		Applications	Engine attachment
		Degree of protection	IP X 4,6,9K
Product information			
Product code	VNP-KUPP-2//7P		
Designation	Coupler plug		
Part number	1 928 402 906		
Quotation drawing (component)	A 928 000 020		

2-way Jetronic coupler plug

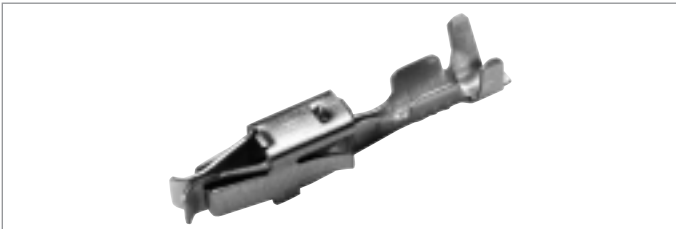
Illustration		Technical data	
		No. of poles	2
		Color (FA)	blue
		Encoding	1
		Secondary lock	None
		Type of contact	2.8 tap
		Type of seal (plug)	By axial seal at wiring-harness connector
		Type of seal (cable)	Rubber grommet
		Type of locking (plug)	By plastic or metal holder
		Vibration resistance	20 g
		Dimensions (L x W x H)	19.10 x 17.20 x 33.50 mm
		Temperature range, min./max.	-40 / 150 °C
		Contact spacing	5 mm
		Row spacing	1.00 mm
		Applications	Bodywork attachment
		Degree of protection	IP X 4,6,9K
Product information			
Product code	VNP-KUPP-2//7P		
Designation	Coupler plug		
Part number	1 928 403 228		
Quotation drawing (component)	A 928 000 020		

Contacts

JPT-contacts

JPT contact

Illustration



Product information

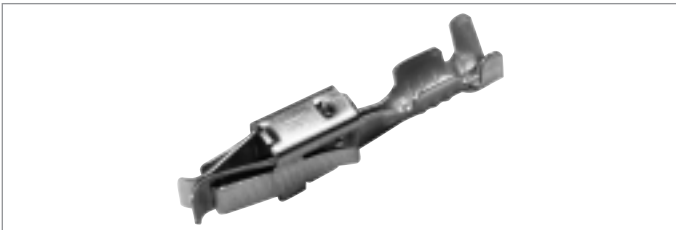
Product code	KONT
Designation	Contact
Part number	1 284 477 176
Quotation drawing	C 280 209 816

Technical data

Contact surface	Tinned
Wire cross-section	0.5 - 1.0 mm ²

JPT contact

Illustration



Product information

Product code	KONT
Designation	Contact
Part number	1 284 477 178
Quotation drawing	C 280 209 818

Technical data

Contact surface	Tinned
Wire cross-section	0.5 - 1.0 mm ²