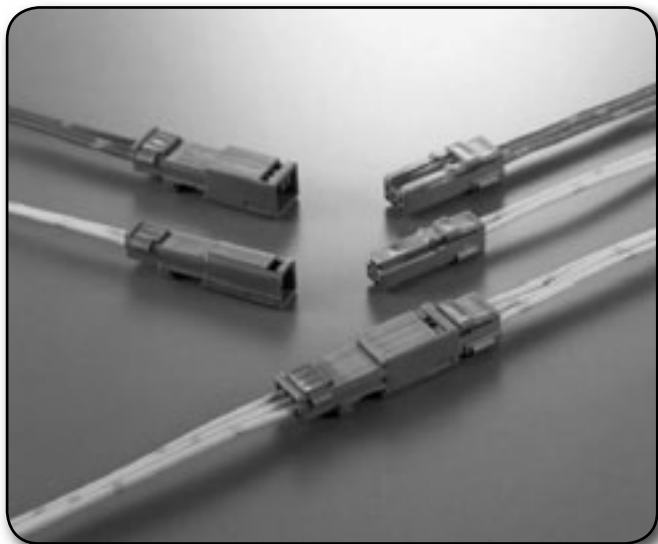


# IL-AG9 Series

## Compact Relay Connector for Vehicles



### FEATURES

- A 2.5mm pitch compact relay connector with a small number of contacts uses the existing 0.25 contact tab size (0.64 x 0.64) IL-AG5 terminals.
- Structure with a key to prevent twisted mating, mis-mating or reverse insertion.
- Mechanical lock method for withstanding vibration and pulling. The lock strength is enhanced to withstand loads using a double-holding spring.
- The housing has a built-in double hook mechanism to prevent contacts from being inserted incompletely or removed inadvertently.
- Socket contacts have a contact reliable double spring mechanism. The outer form is a box shape, and it can withstand external forces.
- A nylon clip can be attached to the pin housing.
- The height and width are short so that the connector can be mated through a small hole.

JAE has developed a compact relay connector with a small number of contacts (2 to 3 contacts). The terminal tab size is a small 0.25 size, and a nylon clip can be attached to the pin housing. Furthermore, the connector is equipped with a hinge type double hooking mechanism to prevent incomplete terminal insertion and inadvertent removal. The contacts of IL-AG5 can be used as terminals.

### GENERAL SPECIFICATIONS

No. of contacts	2, 3 pos.
Contact resistance	Less than 10m ohm (initial)
Withstand voltage	AC1000Vr.m.s. for 1 minute
Operating temperature	-40°C to +85°C
Insulation resistance	Greater than 100M ohm (initial)
Lifetime	50 times

### Applicable Wire

Cable type	AV,AVS,AVSS	AVS,AVSS
Conductive area	0.3 to 0.5mm <sup>2</sup>	0.85mm <sup>2</sup>
A.W.G No.	#22 to #20	#18
Sheath diameter	1.4dia. to 2.4dia. mm	

### MATERIALS AND FINISHES

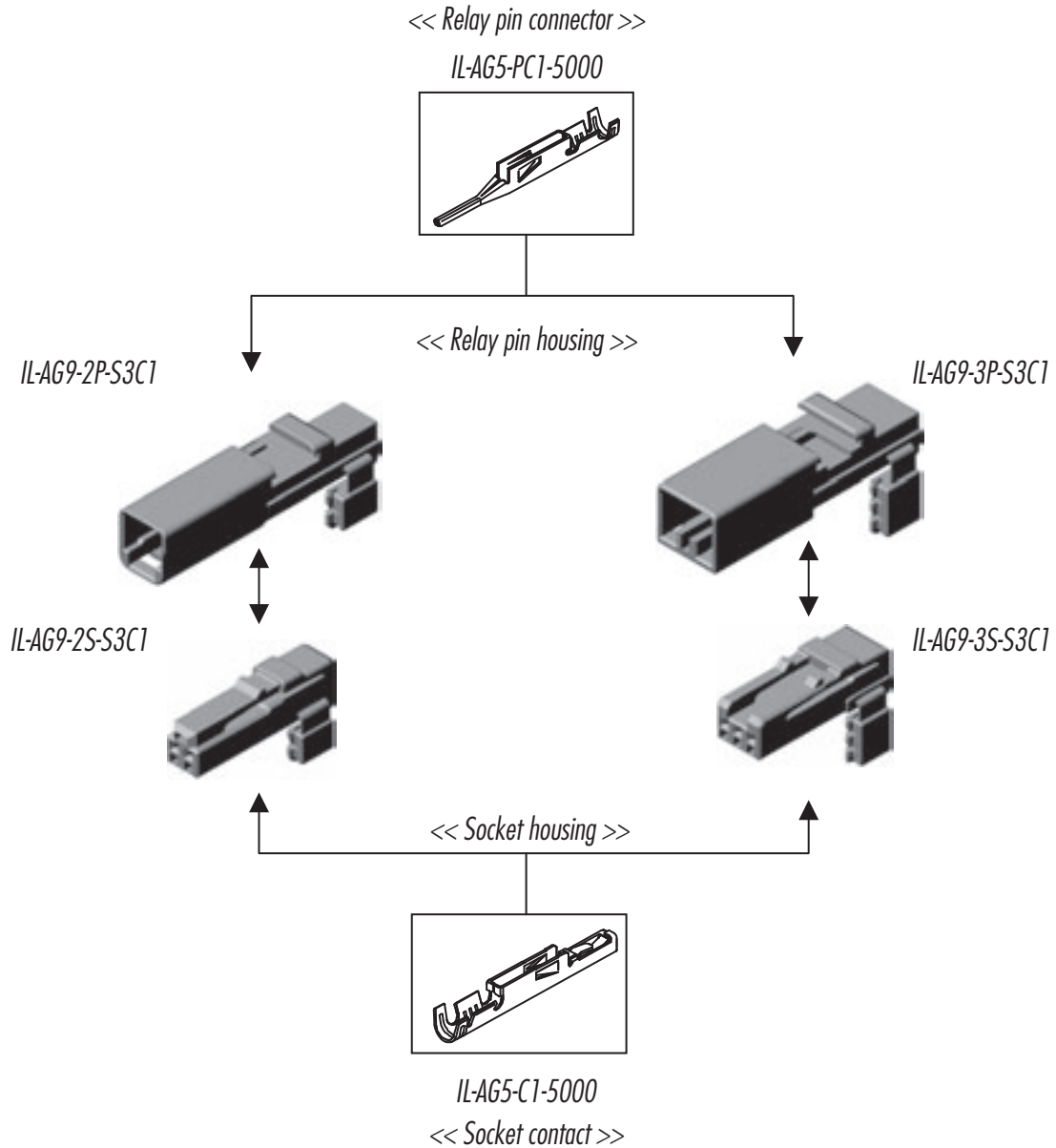
Component	Materials and finishes
Insulator	PBT/ Color: green
Relay pin contact	Copper alloy/Tin plating
Socket contact	Phosphor bronze/Tin plating

• Please consult JAE for verification of product availability.  
Dimensions in mm.

# IL-AG9 Series

## Compact Relay Connector for Vehicles

### Connector Combination



### Crimp tool and release jig

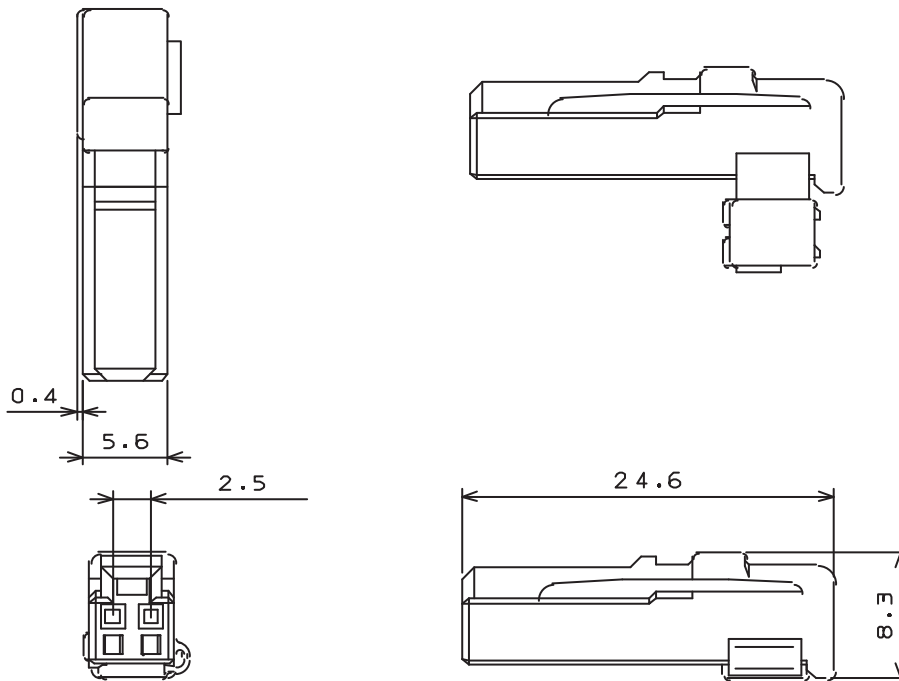
Type	Socket contact	Relay pin contact
Hand crimping tool	CT150-1-AG5	
Semi automatic applicator	350-AG5-2	350-AG5P-3B
Release jig	ET-AG9	

• Please consult JAE for verification of product availability.  
Dimensions and specifications subject to change without notice.

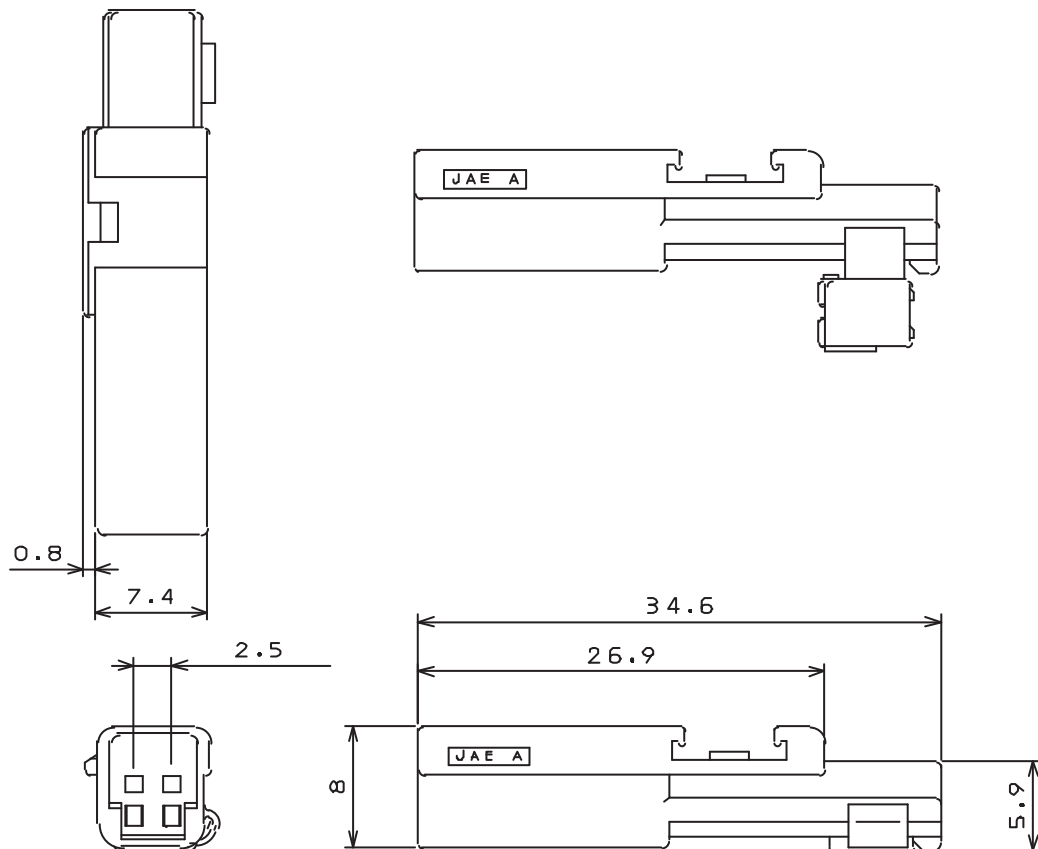
# IL-AG9 Series

Compact Relay Connector for Vehicles

1) 2 contact socket housing (IL-AG9-2S-S3C1)



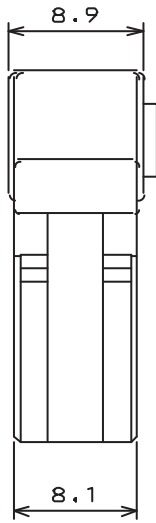
2) 2 contact relay pin housing (IL-AG9-2P-S3C1)



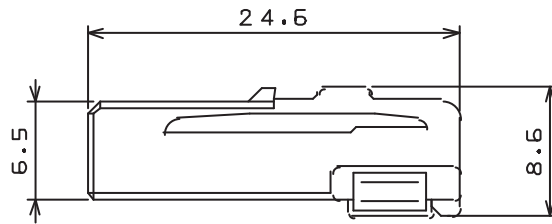
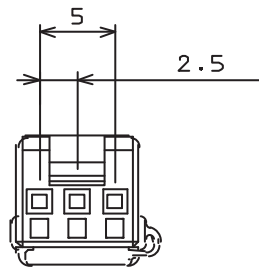
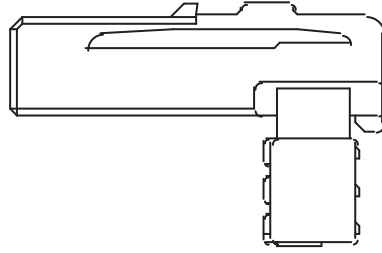
• Please consult JAE for verification of product availability.  
Dimensions in mm.

# IL-AG9 Series

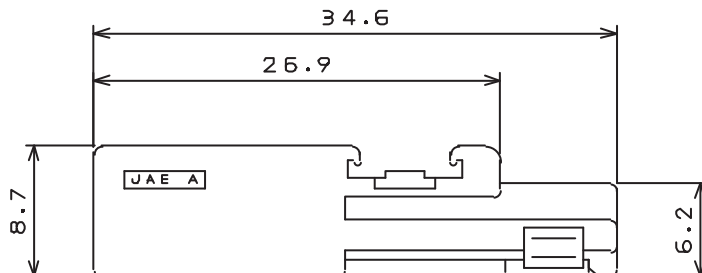
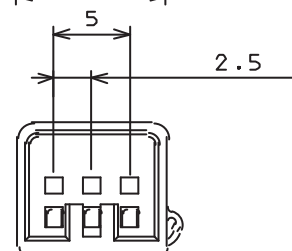
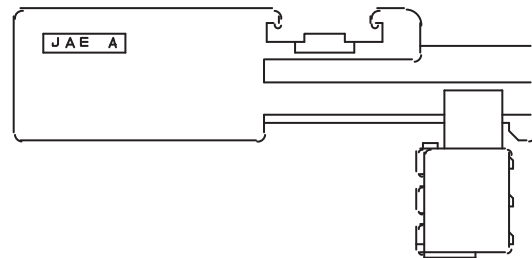
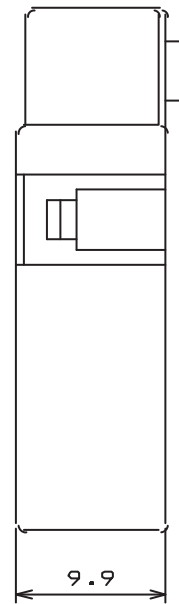
Compact Relay Connector for Vehicles



3) 3 contact socket housing (IL-AG9-3S-S3C1)



4) 3 contact relay pin housing (IL-AG9-3P-S3C1)



• Please consult JAE for verification of product availability.  
Dimensions and specifications subject to change without notice.