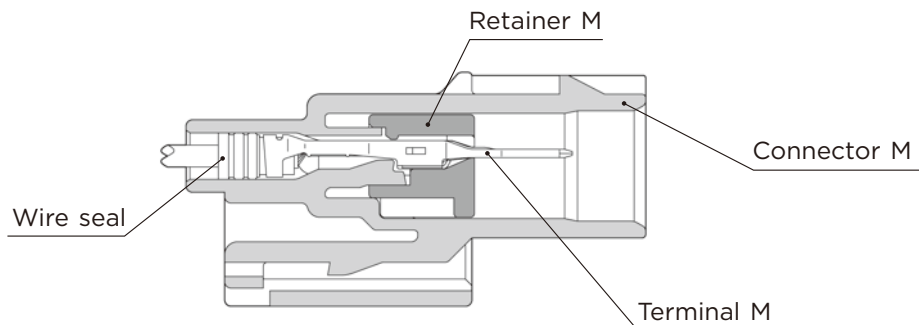


HX SEALED SERIES for STANDARD

1.0mm (040)

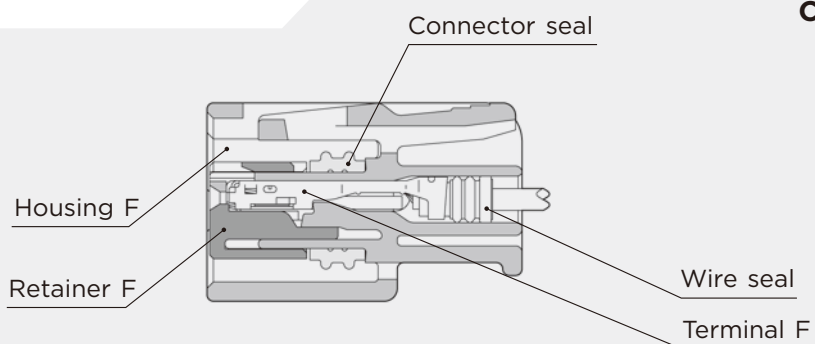
Structure

E-02



Connector M

Connector F



1.0mm (040)

(E)	(J)
Cable size	: 適用電線サイズ
Cable overall diameter	: 電線仕上り外径
Heat-resistant copper alloy	: 耐熱銅合金
Brass	: 黄銅
Surface treatment	: 表面処理
Gold-plated	: Auメッキ
Tin-plated	: Snメッキ

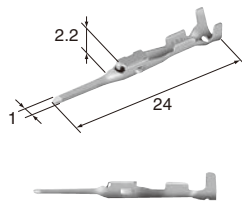
Terminal (UNIT : mm)

(S)Cable size (mm²) 0.3~0.5

Cable overall diameter (mm) 1.4~2.0

Material Brass

Surface treatment Tin-plated

**M (8100-3177)****F (8100-3067)**Cable size (mm²) 0.3~0.5

Cable overall diameter (mm) 1.4~2.0

Material Heat-resistant copper alloy

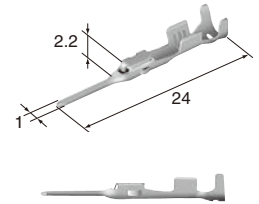
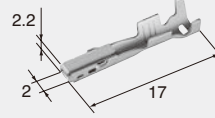
Surface treatment Tin-plated

(M)Cable size (mm²) 0.75~1.25

Cable overall diameter (mm) 1.8~2.2

Material Heat-resistant copper alloy

Surface treatment Tin-plated

**M (8100-3178)****F (8100-3068)**Cable size (mm²) 0.75~1.25

Cable overall diameter (mm) 1.8~2.2

Material Heat-resistant copper alloy

Surface treatment Tin-plated

1.0mm (040)**Wire seals (UNIT : mm)**

The wire seals are common to M and F.

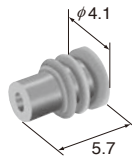
ワイヤシールはM、F共用です。

(S)**(7165-0621)**Cable size (mm²) (AVS/0.3) (AVSS/0.5) (AVSSX/0.5) (AVSSH/0.5) (CHFS/0.75)

Cable overall diameter (mm) 1.6~1.9

Material Silicone

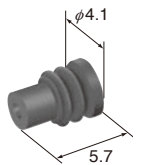
Color Light Green

**(SS)****(7165-1075)**Cable size (mm²) (AVSS/0.3) (AVSSX/0.3) (AVSSH/0.3) (CHFUS/0.35) (CHFS/0.5)

Cable overall diameter (mm) 1.1~1.6

Material Silicone

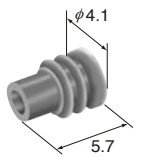
Color Orange

**(M)****(7165-0622)**Cable size (mm²) (AVS/0.5) (AVS/0.85) (AVSS/0.75~1.25) (AVSSX/0.75~1.25) (AVSSH/0.75~1.25) (AVX/0.5) (AVX/0.75) (CHFS/1.0)

Cable overall diameter (mm) 1.8~2.2

Material Silicone

Color Violet

**E-03**

HX SEALED SERIES

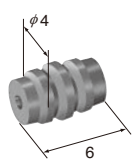
1.0mm (040)

E-04

Dummy plugs (UNIT : mm)

- Dummy plugs are common to M and F.
- Dummy plugs are used to blind unused terminal holes.
- ダミー栓はM、F 共用です。
- 不必要なターミナル穴を塞ぐために、ダミー栓を使用します。

(7165-0432)



Material	NBR
Color	Black

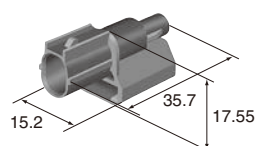
1.0mm (040)

Housing (UNIT : mm)

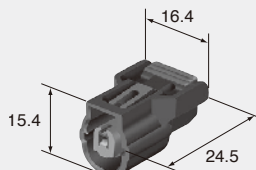
Ref: Terminal part No.	E-02
Ref: wire seal No.	E-03
Ref: Dummy plug No.	E-04
Material	PBT

1way

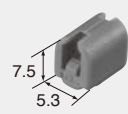
Color	Black
--------------	-------



M (6188-0657)



F (6189-0940)

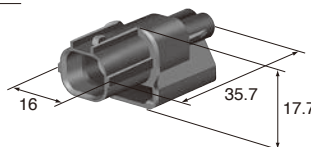


Retainer No. (6918-1979)

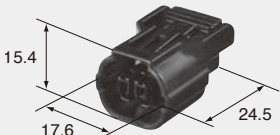
Color	Black
--------------	-------

2way

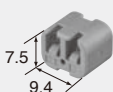
Color	Black
--------------	-------



M (6188-0589)



F (6189-0890)

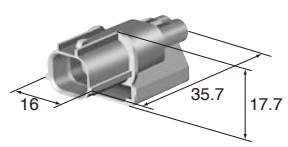


Retainer No. (6918-1835)

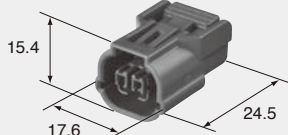
Color	Black
--------------	-------

2way (Coded connector) (リブ違)

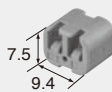
Color	Dark Gray
--------------	-----------



M (6188-0590)



F (6189-0891)

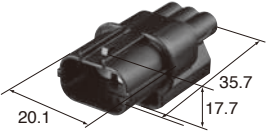


Retainer No. (6918-1835)

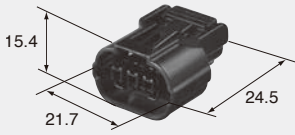
Color	Dark Gray
--------------	-----------

3way

Color Black

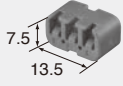


M (6188-4739)



Color Black

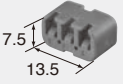
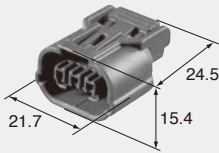
F (6189-0887)



Retainer No. (6918-1833)

3way (Coded connector) (リブ違)

F (6189-0968)

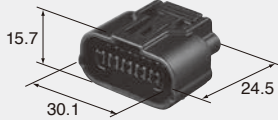


Retainer No. (6918-1833)

Color Dark Gray

5way

F (6189-1081)

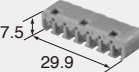
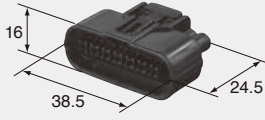


Retainer No. (6918-2128)

Color Black

7way

F (6189-0855)

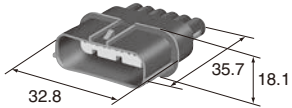


Retainer No. (6918-1762)

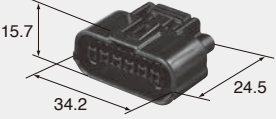
Color Black

6way

Color Black

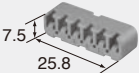


M (6188-0658)



Color Black

F (6189-1012)



Retainer No. (6918-2056)