

Sealed Socket Housings

Technical Features

No. of Positions:

2 Positions

Housing Material:

PA66

Wire Size Range:

0.2–2.0 mm²

Extraction Tool:

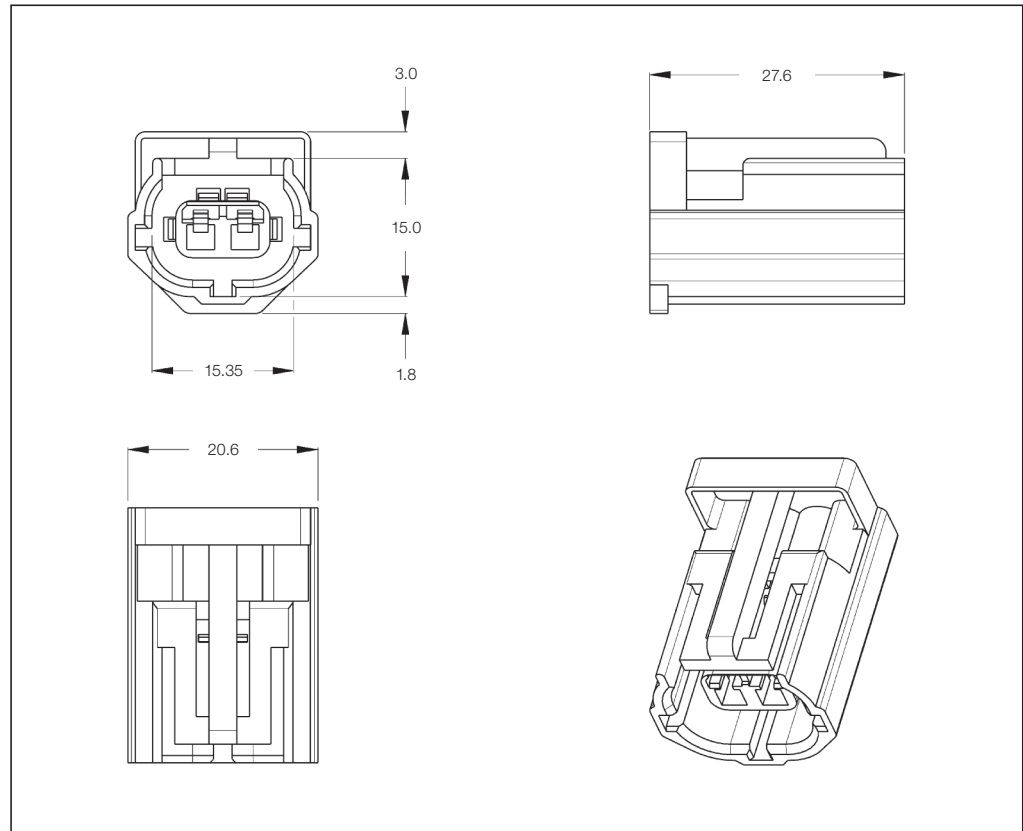
Part No. **1-1579007-5**

Product Specification:

108-3069

Application Specification:

114-3040



2 Position Socket Housing

Keying Options	Housing Color*	Part Numbers			
		Socket Housing	Package Quantity	Socket Anti-Backout	Mating Pin Housing
–	Black	344276-1	500	345254-1	344274-1

*) Other colors on request.

Sealed Socket Housings

Technical Features

No. of Positions:

3 Positions

Housing Material:

PA66

Wire Size Range:

0.2–2.0 mm²

Extraction Tool:

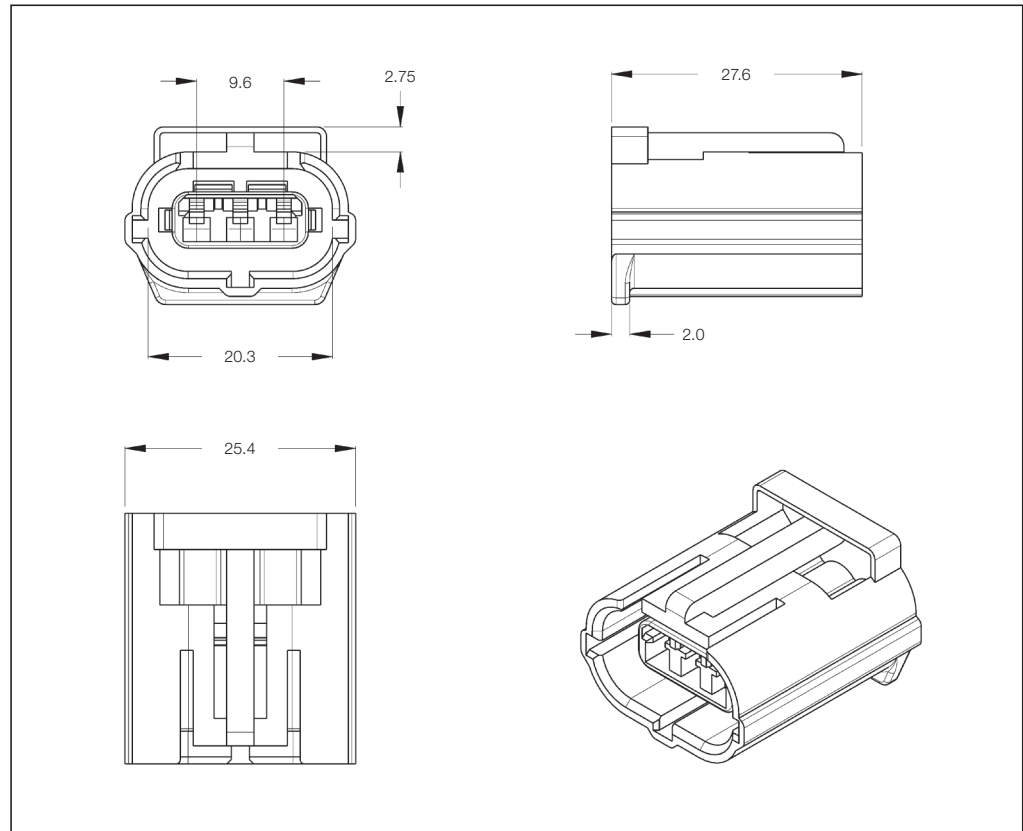
Part No. **1-1579007-5**

Product Specification:

108-3069

Application Specification:

114-3040



3 Position Socket Housing

Keying Options	Housing Color*	Part Numbers			
		Socket Housing	Package Quantity	Socket Anti-Backout	Mating Pin Housing
–	Black	344273-1	500	345256-1	344271-1

*) Other colors on request.

Sealed Socket Housings

Technical Features

No. of Positions:

4 Positions

Housing Material:

PA66

Wire Size Range:

0.2–2.0 mm²

Extraction Tool:

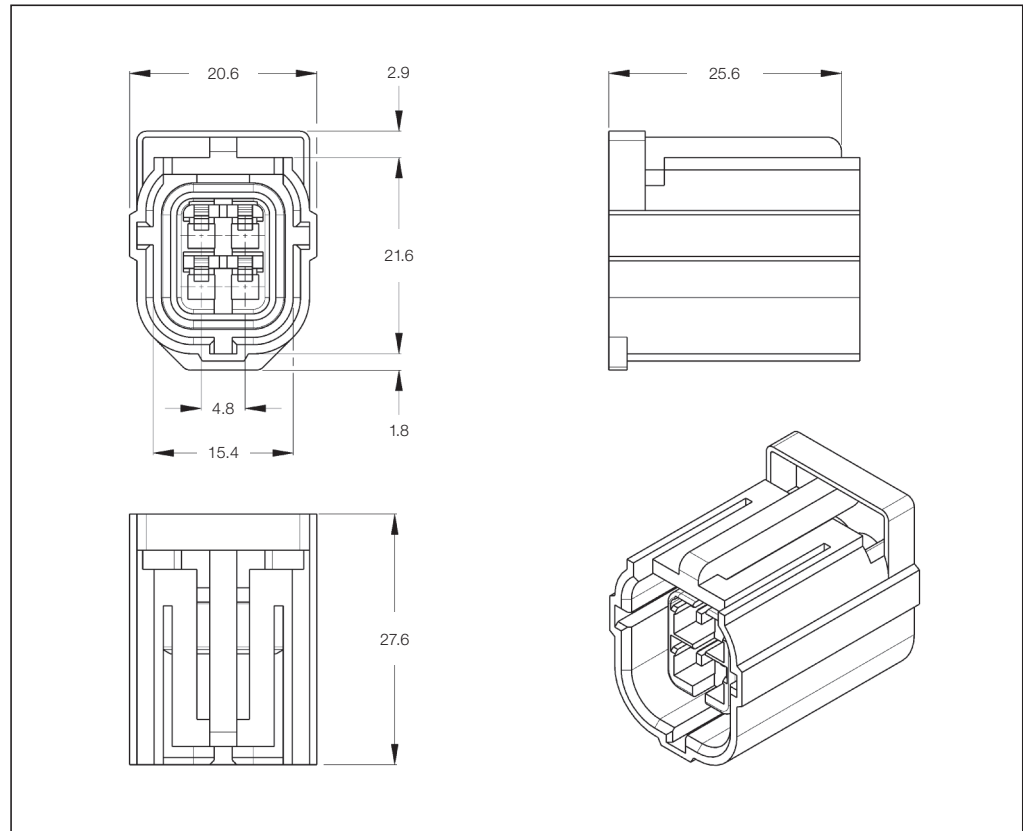
Part No. **1-1579007-5**

Product Specification:

108-3069

Application Specification:

114-3040



4 Position Socket Housing

Keying Options	Housing Color*	Part Numbers			
		Socket Housing	Package Quantity	Socket Anti-Backout	Mating Pin Housing
–	Black	344270-1	500	345258-1	344268-1

*) Other colors on request.

Sealed Socket Housings

Technical Features

No. of Positions:

6 Positions

Housing Material:

PA66

Wire Size Range:

0.2–2.0 mm²

Extraction Tool:

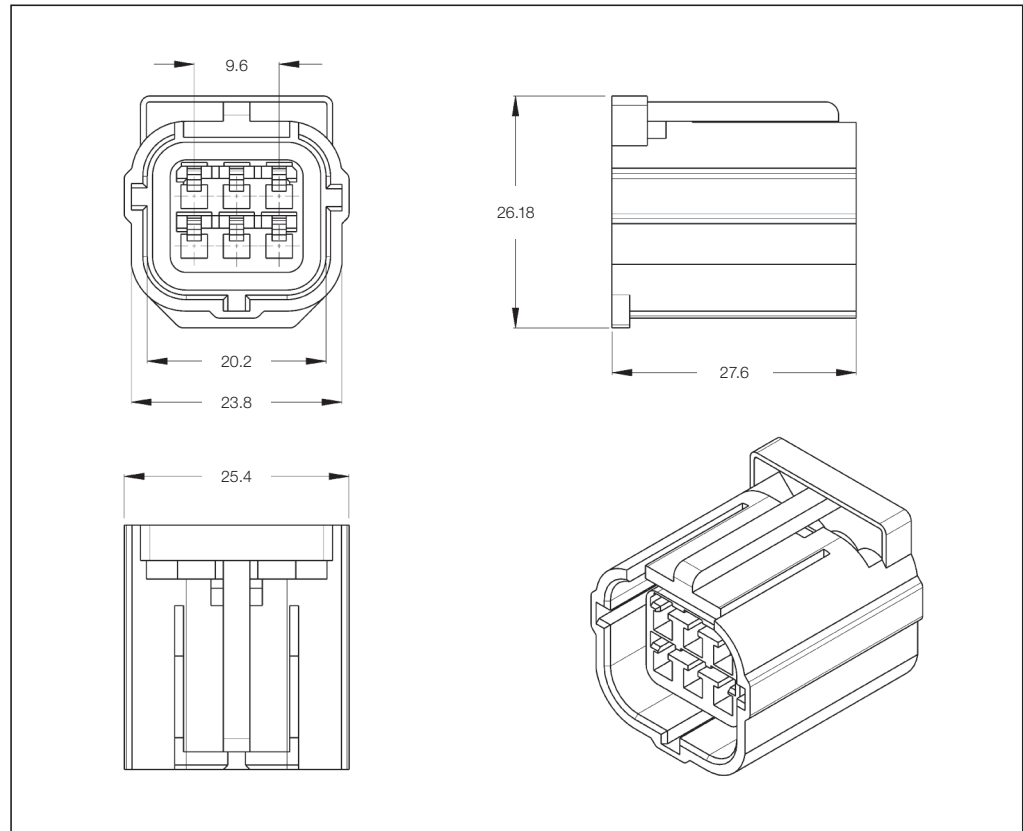
Part No. **1-1579007-5**

Product Specification:

108-3069

Application Specification:

114-3040



6 Position Socket Housing

Keying Options	Housing Color*	Part Numbers			
		Socket Housing	Package Quantity	Socket Anti-Backout	Mating Pin Housing
–	Black	344267-1	500	345260-1	344265-1

*) Other colors on request.

Sealed Socket Housings

Technical Features

No. of Positions:

13 Positions

Housing Material:

PA66

Wire Size Range:

0.2–2.0 mm²

Extraction Tool:

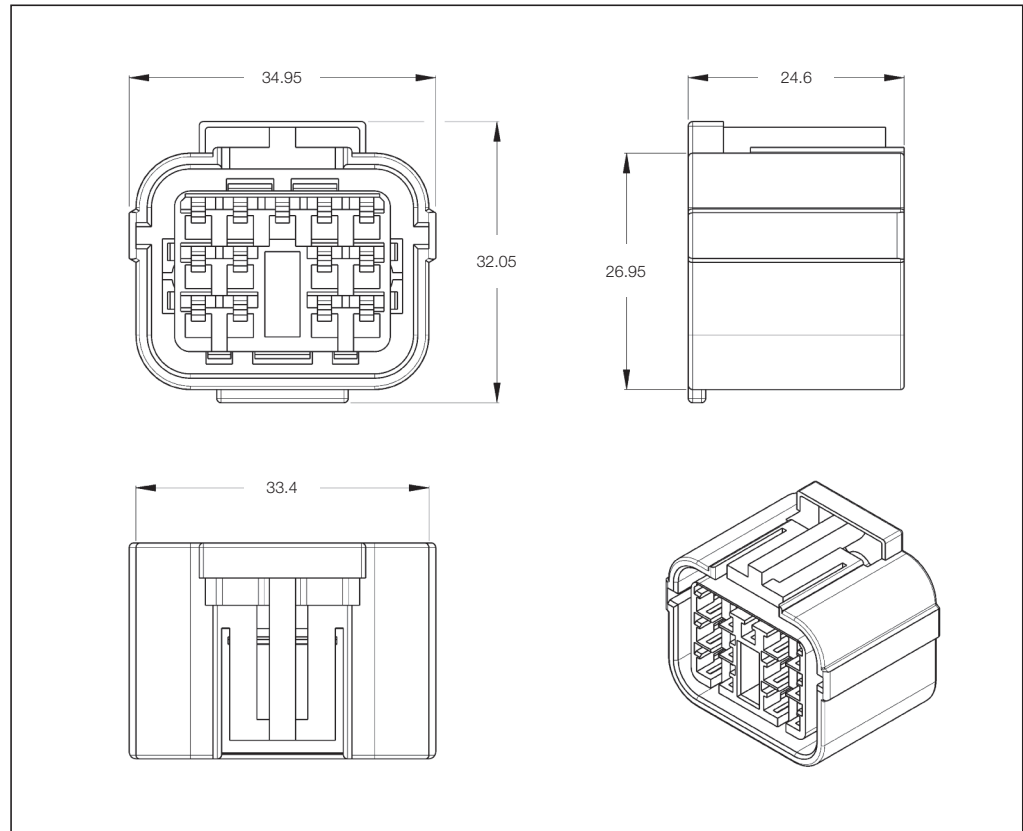
Part No. **1-1579007-5**

Product Specification:

108-3069

Application Specification:

114-3040



13 Position Socket Housing

Keying Options	Housing Color*	Part Numbers			
		Socket Housing	Package Quantity	Socket Anti-Backout	Mating Pin Housing
–	Black	344263-1	200	345264-1	344260-1

*) Other colors on request.

Sealed Pin Housings

Technical Features

No. of Positions:

2 Positions

Housing Material:

PA66

Wire Size Range:

0.2–2.0 mm²

Extraction Tool:

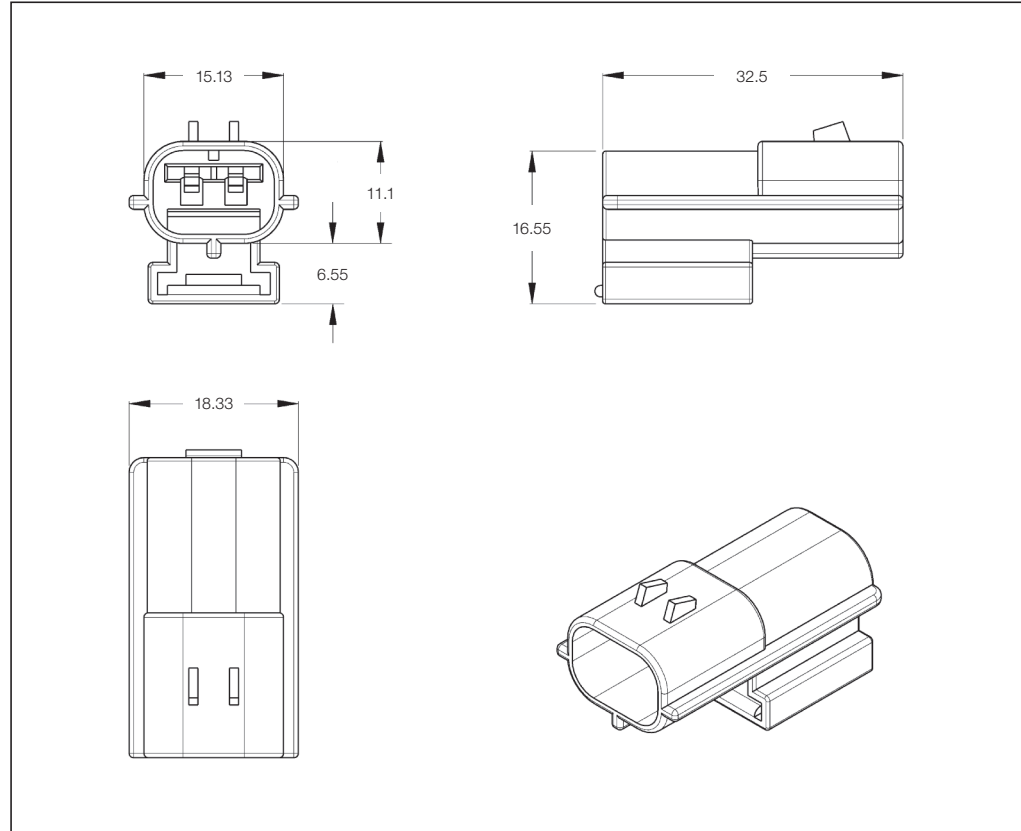
Part No. **1-1579007-5**

Product Specification:

108-3069

Application Specification:

114-3040



3 Position Pin Housing

Keying Options	Housing Color*	Part Numbers			
		Pin Housing	Package Quantity	Pin Anti-Backout	Mating Socket Housing
–	Black	344274-1	4,000	345253-1	344276-1

*) Other colors on request.

Sealed Pin Housings

Technical Features

No. of Positions:

3 Positions

Housing Material:

PA66

Wire Size Range:

0.2–2.0 mm²

Extraction Tool:

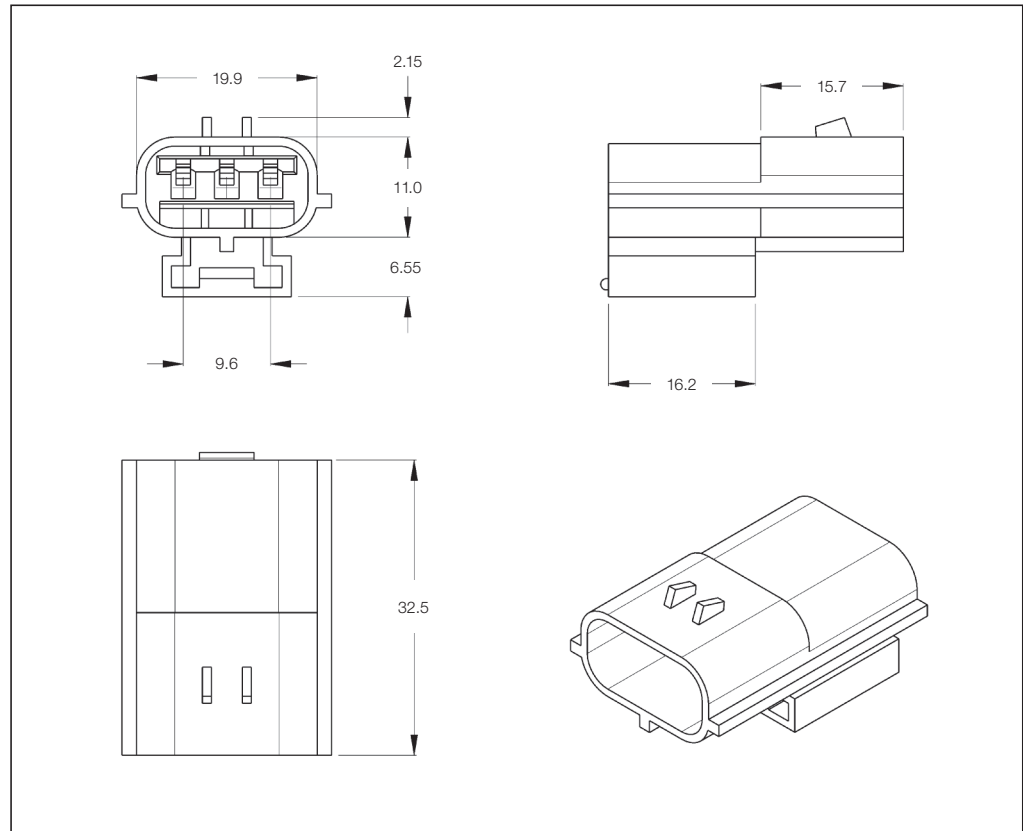
Part No. **1-1579007-5**

Product Specification:

108-3069

Application Specification:

114-3040



3 Position Pin Housing

Keying Options	Housing Color*	Part Numbers			
		Pin Housing	Package Quantity	Pin Anti-Backout	Mating Socket Housing
–	Black	344271-1	3,300	345255-1	344273-1

*) Other colors on request.

Sealed Pin Housings

Technical Features

No. of Positions:

4 Positions

Housing Material:

PA66

Wire Size Range:

0.2–2.0 mm²

Extraction Tool:

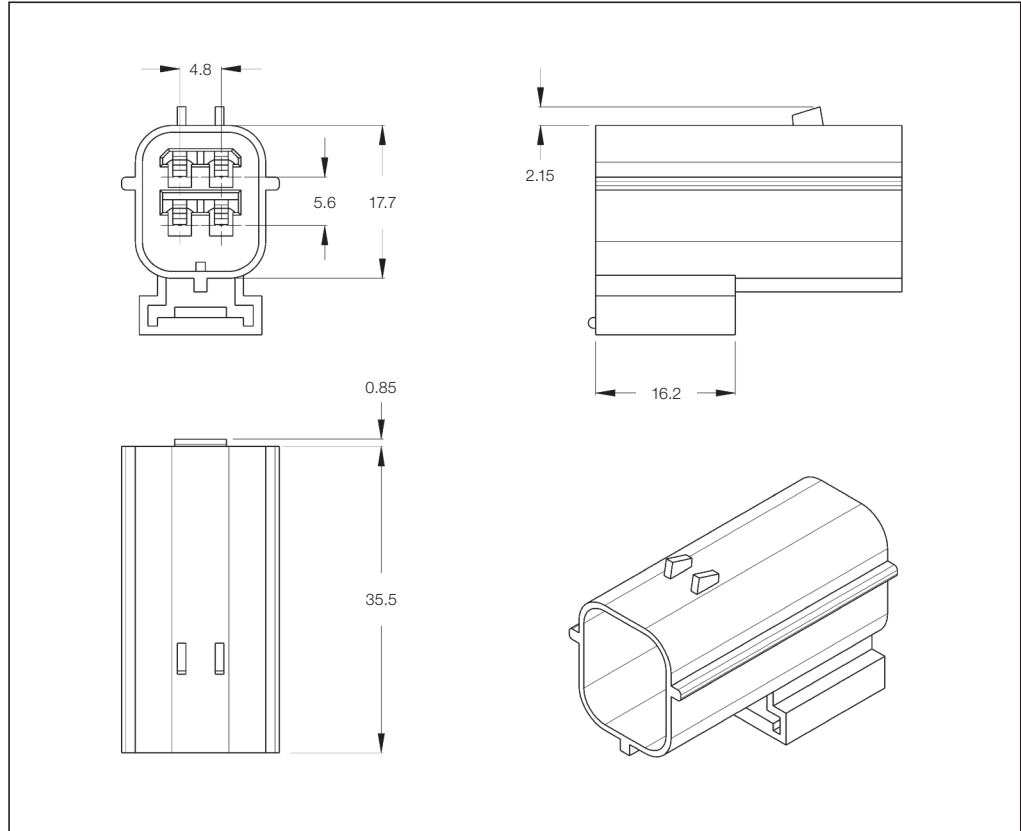
Part No. **1-1579007-5**

Product Specification:

108-3069

Application Specification:

114-3040



4 Position Pin Housing

Keying Options	Housing Color*	Part Numbers			
		Pin Housing	Package Quantity	Pin Anti-Backout	Mating Socket Housing
–	Black	344268-1	2,500	345257-1	344270-1

*) Other colors on request.

Sealed Pin Housings

Technical Features

No. of Positions:

6 Positions

Housing Material:

PA66

Wire Size Range:

0.2–2.0 mm²

Extraction Tool:

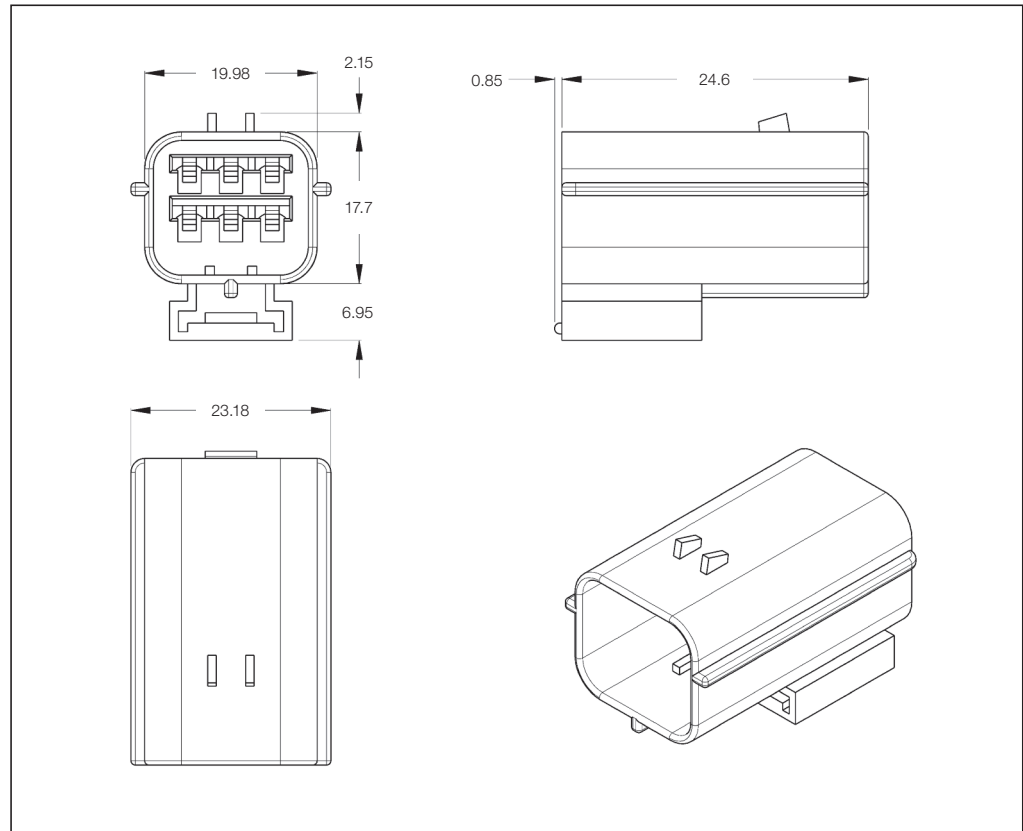
Part No. **1-1579007-5**

Product Specification:

108-3069

Application Specification:

114-3040



6 Position Pin Housing

Keying Options	Housing Color*	Part Numbers			
		Pin Housing	Package Quantity	Pin Anti-Backout	Mating Socket Housing
–	Black	344265-1	2,000	345259-1	344267-1

*) Other colors on request.

Sealed Pin Housings

Technical Features

No. of Positions:

13 Positions

Housing Material:

PA66

Wire Size Range:

0.2–2.0 mm²

Extraction Tool:

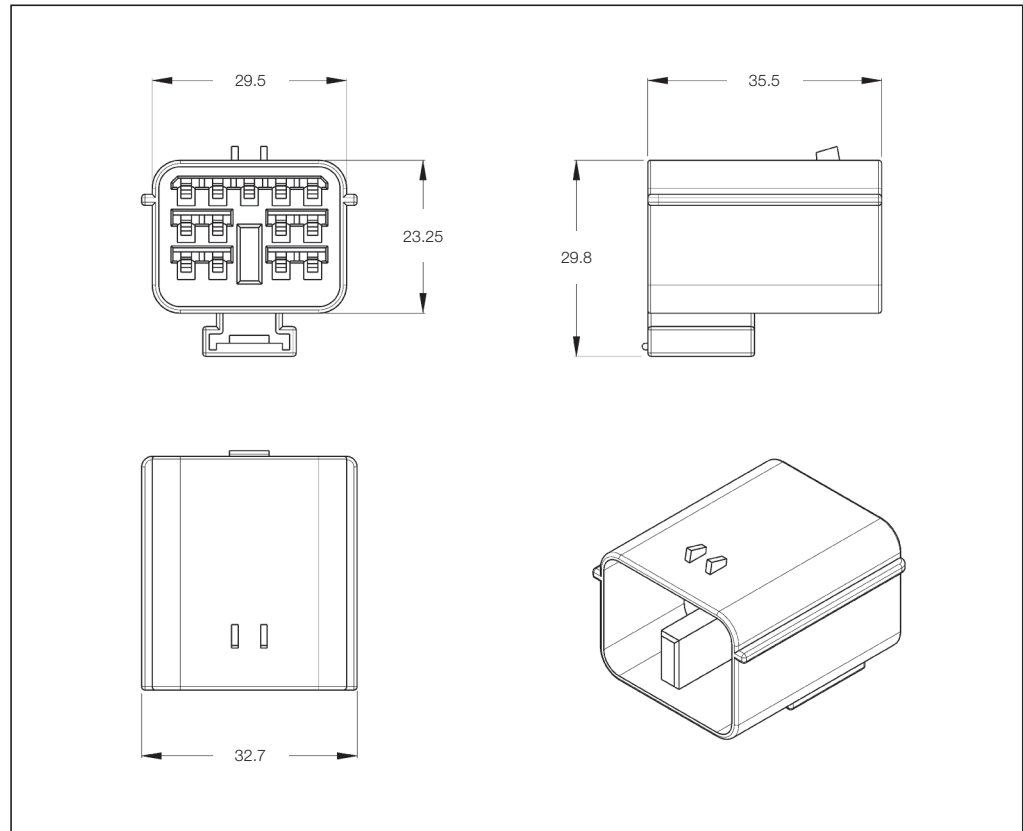
Part No. **1-1579007-5**

Product Specification:

108-3069

Application Specification:

114-3040



13 Position Pin Housing

Keying Options	Housing Color*	Part Numbers			
		Pin Housing	Package Quantity	Pin Anti-Backout	Mating Socket Housing
–	Black	344260-1	1,000	345261-1	344263-1

*) Other colors on request.