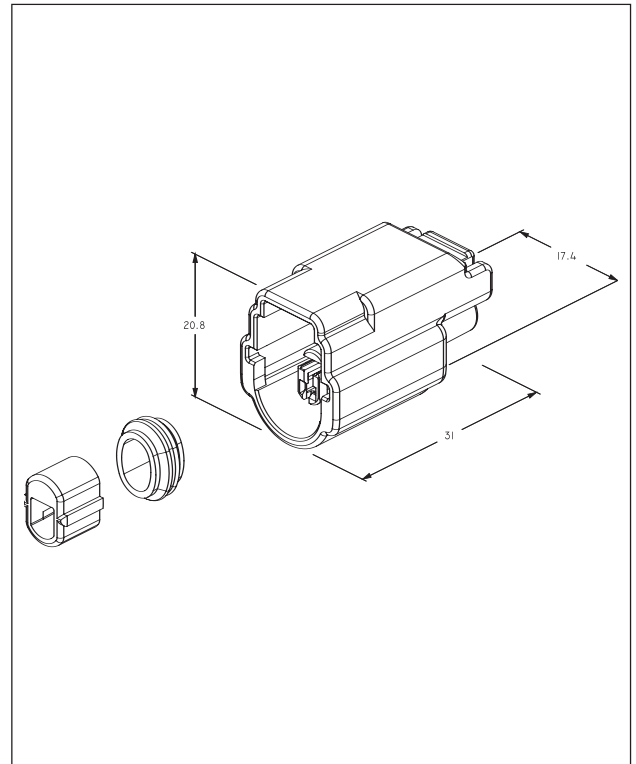
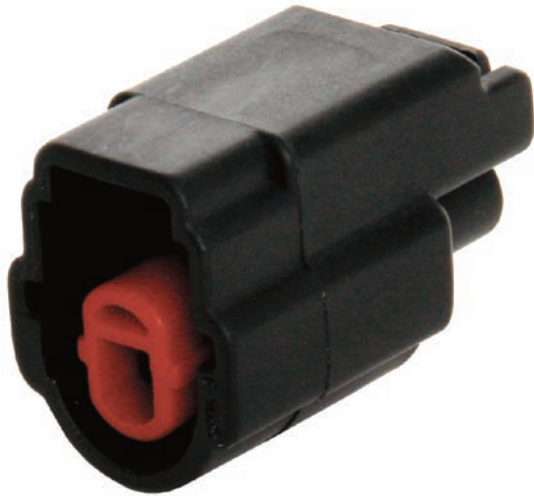


Part Number: E-5092 - 1.5mm 1-Way Female Connector



Assembly Configurations

SUBCOMPONENTS	DESCRIPTION	CONNECTOR ASSEMBLIES				
		E-5092-001				
E-5093-001	HOUSING (A-POL)	1				
E-5094	SPACER	1				
E-5095	INTERFACIAL SEAL	1				

Reference Components

DESCRIPTION	QUANTITY	REFERENCE PAGE
Cable Seals	1	84
Terminals	1	84

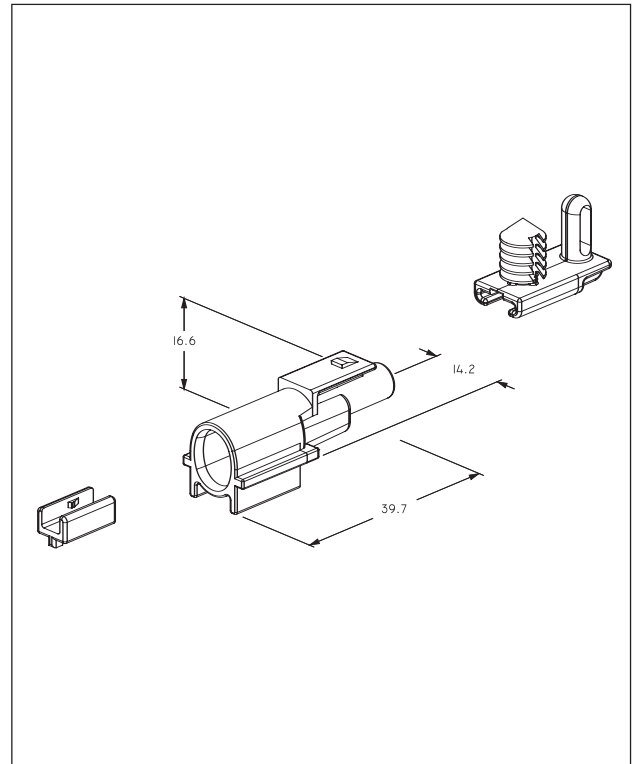
Mating Components

PART NUMBER	MATING PART NUMBER	REFERENCE PAGE
E-5092-001	E-5096-001	9

Part Number: E-5096 - 1.5mm 1-Way Male Connector



Additional assembly configurations available.
Contact PKC Group for more information



Assembly Configurations

SUBCOMPONENTS	DESCRIPTION	CONNECTOR ASSEMBLIES				
		E-5096-001	E-5096-002	E-5096-003	E-5096-004	E-5096-005
E-5097-001	HOUSING (A-POL)	1	1	1	1	1
E-5098	SPACER	1	1	1	1	1
E-5941	RETAINER ADAPTER					
E-3388	RETAINER	1				
E-3878	RETAINER (ANTI-ROTATION)			1		
E-6129	RETAINER (ANTI-ROTATION)					1
E-6129	RETAINER (ANTI-ROTATION)					

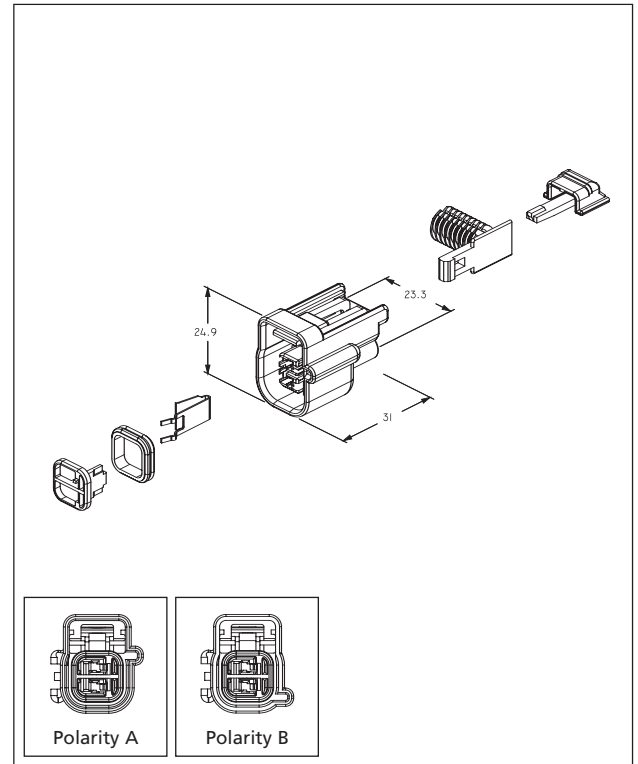
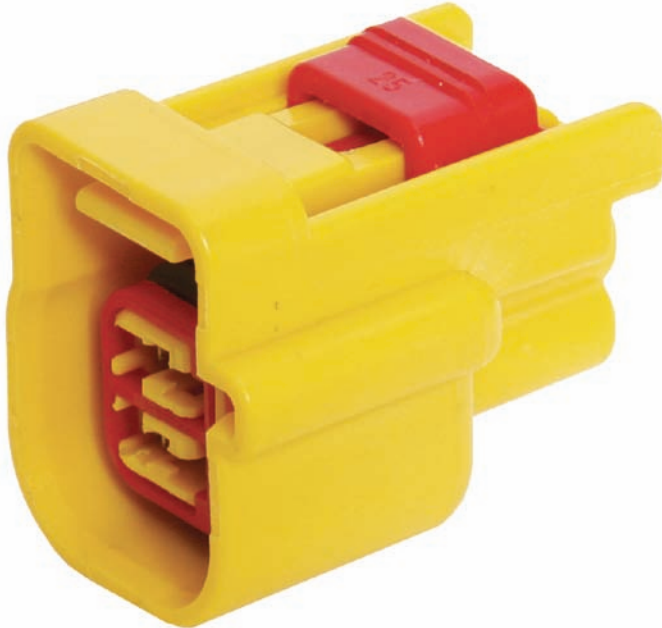
Reference Components

DESCRIPTION	QUANTITY	REFERENCE PAGE
Cable Seals	1	85
Terminals	1	85

Mating Components

PART NUMBER	MATING PART NUMBER	REFERENCE PAGE
E-5096-001	E-5092-001	8
E-5096-002	E-5092-001	8
E-5096-003	E-5092-001	8
E-5096-004	E-5092-001	8
E-5096-005	E-5092-001	8

Part Number: E-2239 - 1.5mm 2-Way Female Connector



Assembly Configurations

SUBCOMPONENTS	DESCRIPTION	CONNECTOR ASSEMBLIES				
		E-2239-001	E-6189	E-3481-001	E-2239-002	E-2239-003
E-2231	HOUSING (POL-A)	1	1		1	
E-2233	INTERFACIAL SEAL	1	1	1	1	1
E-2232	SPACER	1	1	1	1	1
E-2234-1	BAR	1	1	1	1	
E-2235	CPA	1		1	1	1
E-3480	HOUSING (POL-B)			1		
E-5974	RETAINER				1	
E-2231-002	HOUSING (A-POL)					1

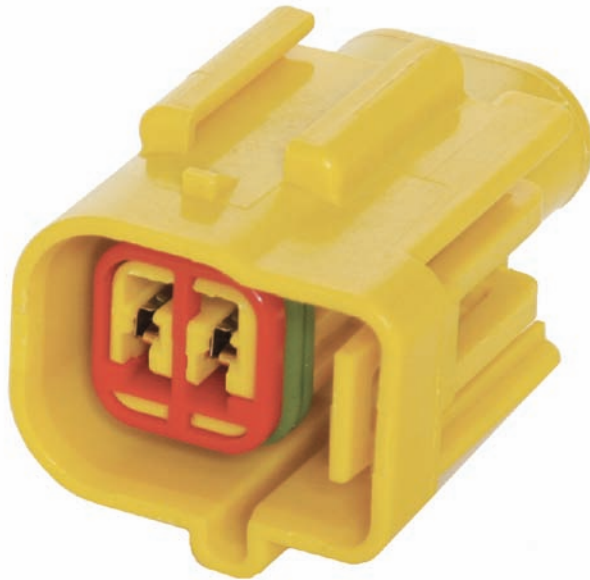
Reference Components

DESCRIPTION	QUANTITY	REFERENCE PAGE
Cable Seals	2	83
Terminals	2	83

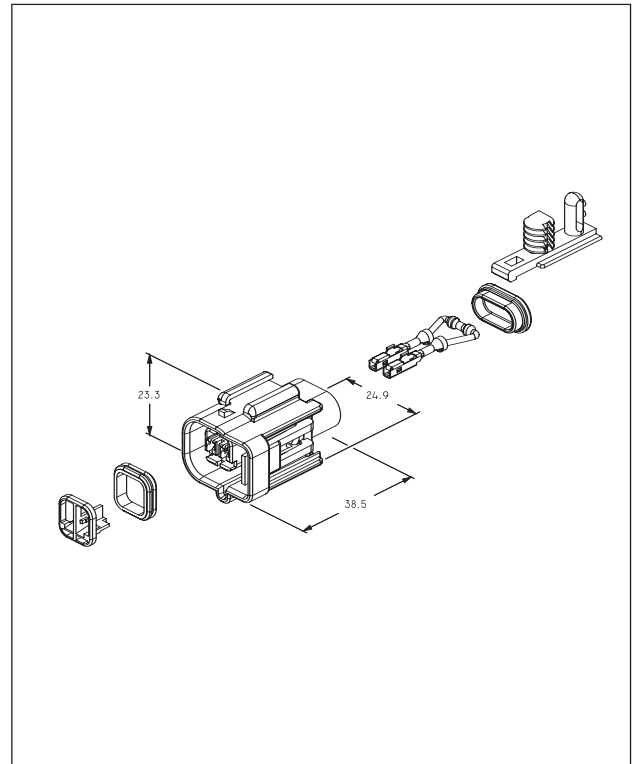
Mating Components

PART NUMBER	MATING PART NUMBER	REFERENCE PAGE
E-2239-001	E-2238	12
E-6189	E-2238	12
E-3481-001	E-3479	-
E-2239-002	E-2238	12
E-2239-003	E-2238-002	12

Part Number: E-3375 - 1.5mm 2-Way Female Connector



Additional assembly configurations available.
Contact PKC Group for more information



Assembly Configurations

SUBCOMPONENTS	DESCRIPTION	CONNECTOR ASSEMBLIES				
		E-3375-000	E-3375-001	E-3375-002	E-3375-003	E-3375-004
E-3537	HOUSING	1	1	1	1	1
E-2232	SPACER	1	1	1	1	1
E-2233	INTERFACIAL SEAL	1	1	1	1	1
E-3370	RESISTOR ASSEMBLY	1	1	1	1	1

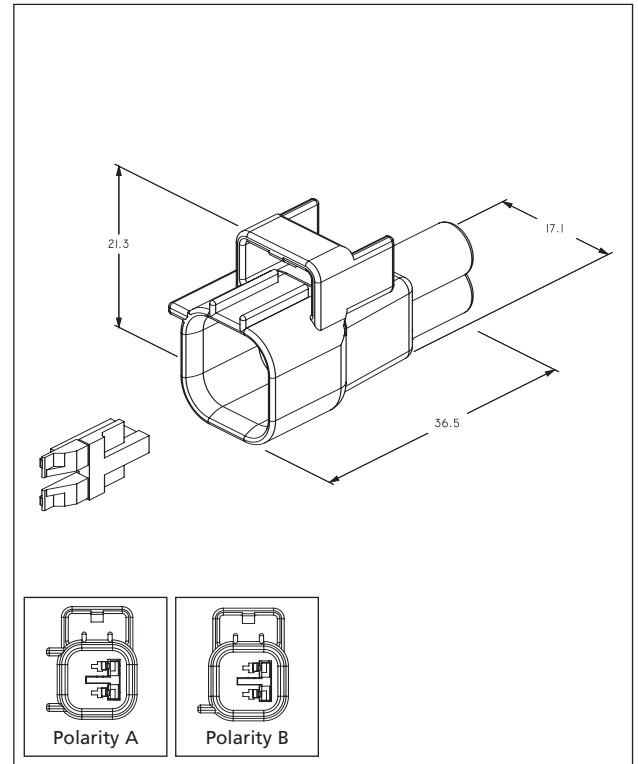
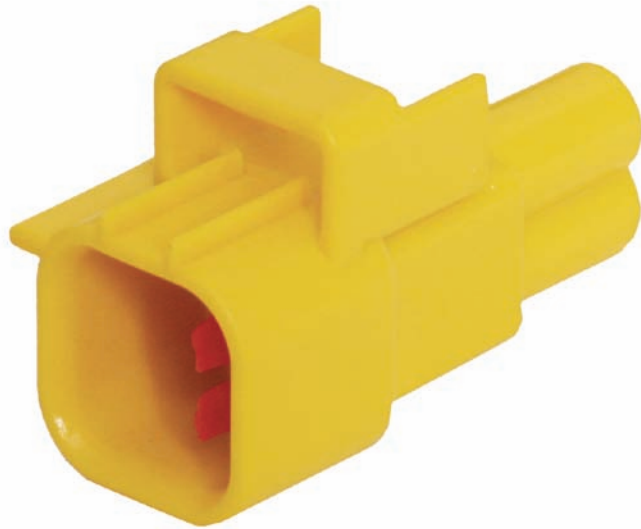
Reference Components

DESCRIPTION	QUANTITY	REFERENCE PAGE
Cable Seals	N/A	82
Terminals	2	82

Mating Components

PART NUMBER	MATING PART NUMBER	REFERENCE PAGE
E-3375-000	E-2238	12
E-3375-001	E-2238	12
E-3375-002	E-2238	12
E-3375-003	E-2238	12
E-3375-004	E-2238	12
E-3375-005	E-2238	12

Part Number: E-2238 - 1.5mm 2-Way Male Connector



Assembly Configurations

SUBCOMPONENTS	DESCRIPTION	CONNECTOR ASSEMBLIES			
		E-2238	E-3479	E-2238-001	E-2238-002
E-2236	HOUSING (A-POL)	1			
E-2236-001	HOUSING (A-POL)			1	
E-3478	HOUSING (B-POL)		1		
E-2237	SPACER	1	1	1	1
E-2236-002	HOUSING (A-POL)				

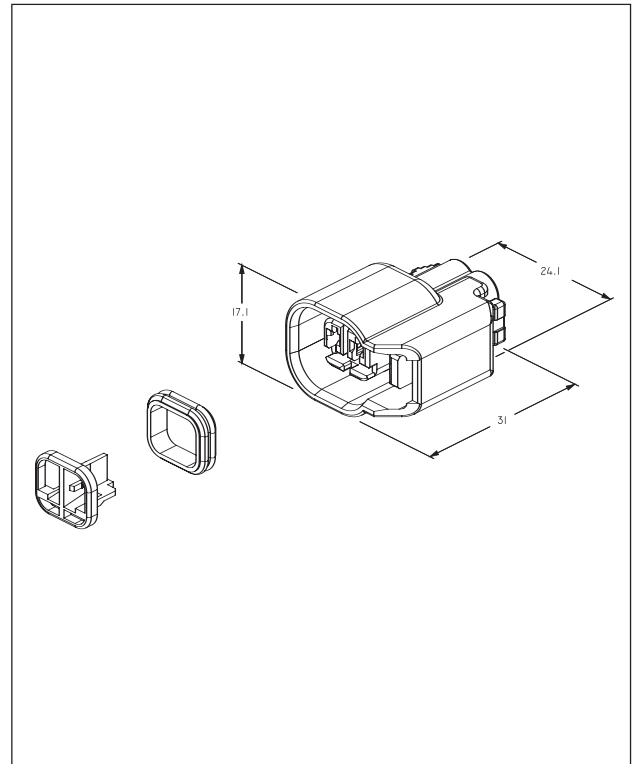
Reference Components

DESCRIPTION	QUANTITY	REFERENCE PAGE
Cable Seals	2	82
Terminals	2	82

Mating Components

PART NUMBER	MATING PART NUMBER	REFERENCE PAGE
E-2238	E-2239	10
E-3479	E-3481	-
E-2238-001	E-3375-010	11
E-2238-002	E-3375-020 / E-2239-003	11/10

Part Number: E-3550 - 1.5mm 2-Way Female Connector



Assembly Configurations

SUBCOMPONENTS	DESCRIPTION	CONNECTOR ASSEMBLIES				
		E-3550-000				
E-3549	HOUSING - FEMALE	1				
E-2158	TPA	1				
E-1813	INTERFACIAL SEAL	1				

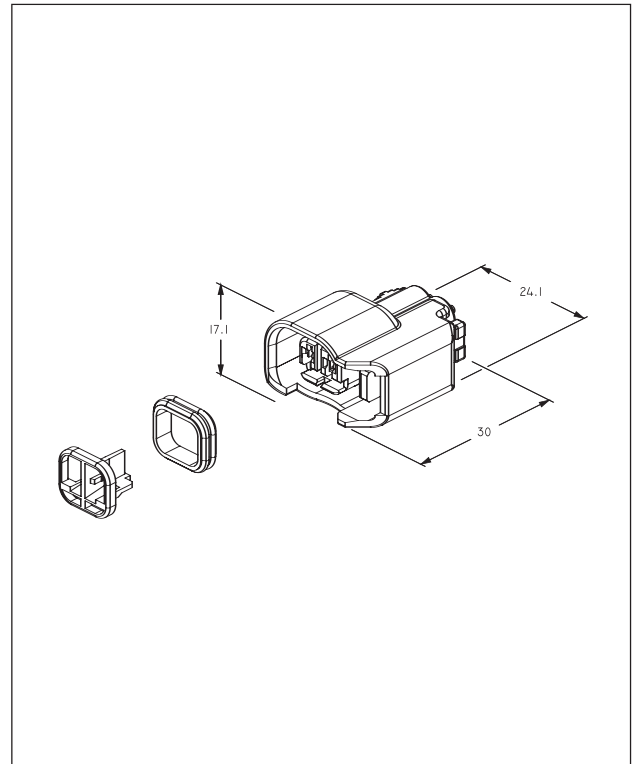
Reference Components

DESCRIPTION	QUANTITY	REFERENCE PAGE
Cable Seals	2	102
Terminals	2	102

Mating Components

PART NUMBER	MATING PART NUMBER	REFERENCE PAGE
E-3550-000	E-3385-000	15
E-3550-000	E-3385-001	15
E-3550-000	E-3385-002	15

Part Number: E-2157 - 1.5mm 2-Way Female Connector



Assembly Configurations

SUBCOMPONENTS	DESCRIPTION	CONNECTOR ASSEMBLIES			
		E-2157-000	E-2157-001	E-2157-002	E-2157-003
E-2159-000	HOUSING (A-POL)	1	1		
E-2158	SPACER	1	1	1	1
E-1813	INTERFACIAL SEAL				
E-2159-001	HOUSING			1	
E-2159-002	HOUSING				1
E-1813-001	INTERFACIAL SEAL		1		
E-1813-002	INTERFACIAL SEAL	1		1	1

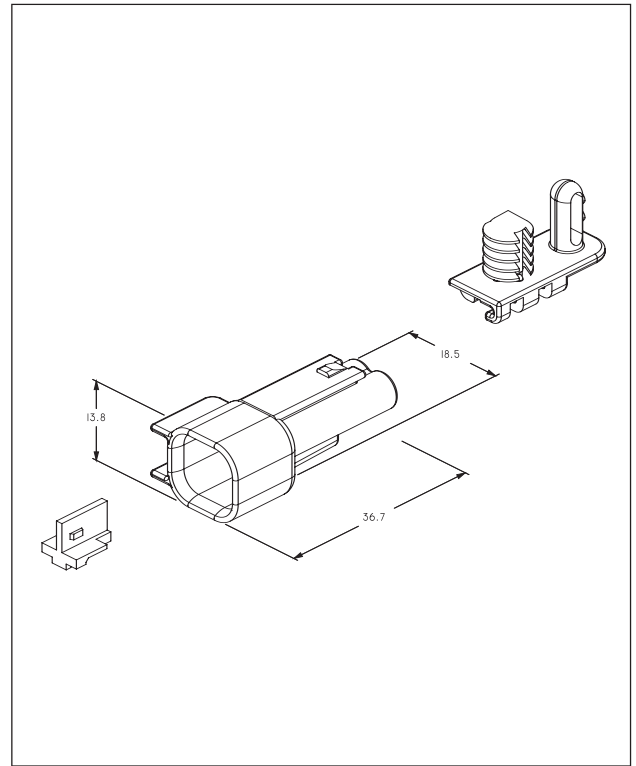
Reference Components

DESCRIPTION	QUANTITY	REFERENCE PAGE
Cable Seals	2	101
Terminals	2	101

Mating Components

PART NUMBER	MATING PART NUMBER	REFERENCE PAGE
E-2157-000	INTERFACE CONNECTOR	-
E-2157-001	INTERFACE CONNECTOR	-
E-2157-002	INTERFACE CONNECTOR	-
E-2157-003	INTERFACE CONNECTOR	-

Part Number: E-3385 - 1.5mm 2-Way Male Connector



Assembly Configurations

SUBCOMPONENTS	DESCRIPTION	CONNECTOR ASSEMBLIES				
		E-3385-000	E-3385-001	E-3385-002	E-3385-003	E-3385-004
E-3386	HOUSING (A-POL)	1	1	1	1	
E-3386-002	HOUSING (A-POL)					1
E-3387	SPACER	1	1	1	1	1
E-3388	RETAINER		1			
E-3878	RETAINER (ANTI-ROTATION)			1		
E-3886	RETAINER (ANTI-ROTATION)				1	

Reference Components

DESCRIPTION	QUANTITY	REFERENCE PAGE
Cable Seals	2	102
Terminals	2	102

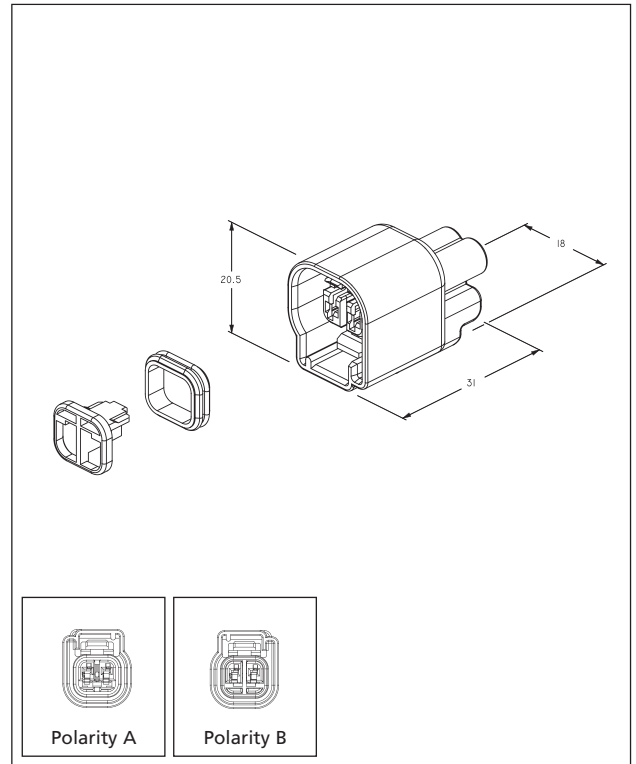
Mating Components

PART NUMBER	MATING PART NUMBER	REFERENCE PAGE
E-3385-000	E-3350	-
E-3385-001	E-3350	-
E-3385-002	E-3350	-
E-3385-003	E-3350	-
E-3385-004	E-2157	14

Part Number: E-4014 - 1.5mm 2-Way Female Connector



Additional assembly configurations available.
Contact PKC Group for more information



Assembly Configurations

SUBCOMPONENTS	DESCRIPTION	CONNECTOR ASSEMBLIES				
		E-4014	E-5069	E-5229	E-5701	E-5705
E-4013	HOUSING (A POL)	1				
E-1813	INTERFACIAL SEAL		1	1	1	1
E-2158	SPACER	1	1	1	1	1
E-5070	HOUSING (B POL)		1			
E-5230	HOUSING (A POL)			1		
E-5700	HOUSING (C POL)				1	
E-1813-002	INTERFACIAL SEAL	1				

Reference Components

DESCRIPTION	QUANTITY	REFERENCE PAGE
Cable Seals	2	99
Terminals	2	99

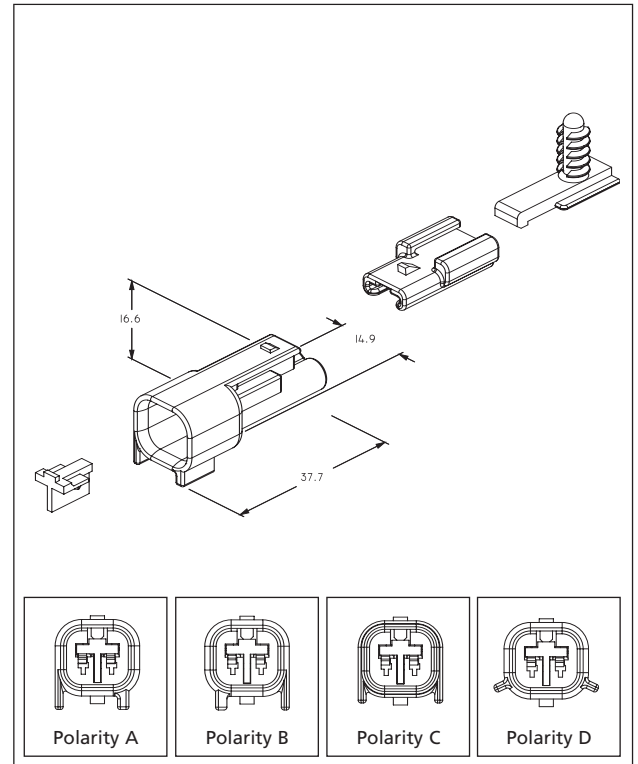
Mating Components

PART NUMBER	MATING PART NUMBER	REFERENCE PAGE
E-4014	E-4011 (000-002)	17
E-5069	E-5067 (000-002)	-
E-5229	E-5712 (000-002)	-
E-5701	E-5703 (000-002)	-
E-5705	E-5707 (000-002)	-

Part Number: E-4011 - 1.5mm 2-Way Male Connector



Additional assembly configurations available.
Contact PKC Group for more information



Assembly Configurations

SUBCOMPONENTS	DESCRIPTION	CONNECTOR ASSEMBLIES				
		E-4011	E-5067	E-4011-001	E-4011-002	E-5067-001
E-4010	HOUSING (A-POL)	1		1	1	
E-3387	SPACER	1	1	1	1	1
E-3388	RETAINER			1		1
E-5068	HOUSING (B-POL)		1			1
E-3878	RETAINER (ANTI-ROTATION)				1	

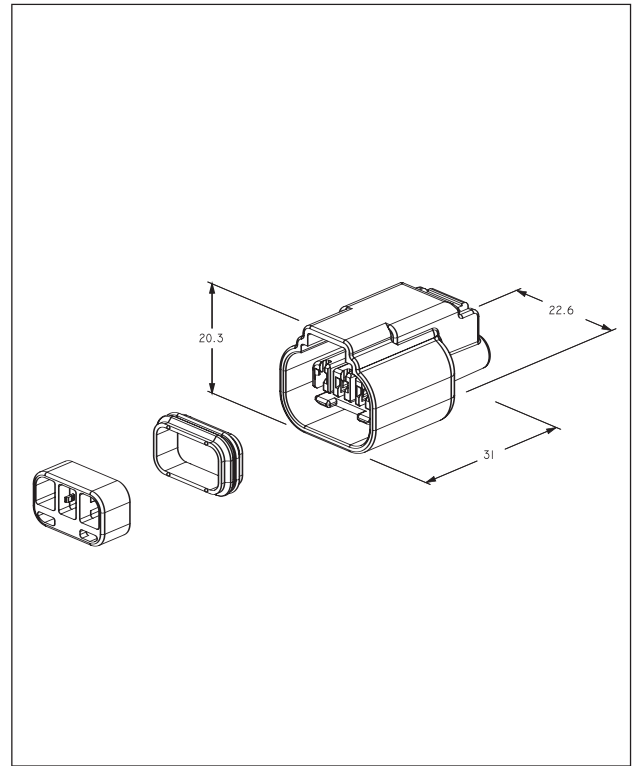
Reference Components

DESCRIPTION	QUANTITY	REFERENCE PAGE
Cable Seals	2	98
Terminals	2	98

Mating Components

PART NUMBER	MATING PART NUMBER	REFERENCE PAGE
E-4011-001	E-4014	16
E-4011-002	E-5069	-
E-5067	E-4014	16
E-5073-000	E-4014	16
E-5707-000	E-5069	-

Part Number: E-5756 - 1.5mm 3-Way Female Connector



Assembly Configurations

SUBCOMPONENTS	DESCRIPTION	CONNECTOR ASSEMBLIES			
		E-5756			
E-5757	HOUSING (D-POL)	1			
E-5758	SPACER	1			
E-5759	RETAINER	1			

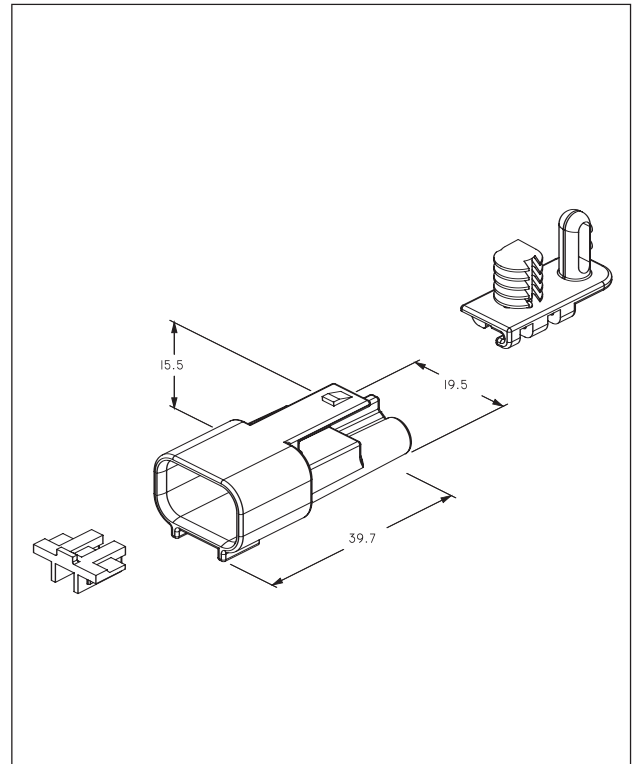
Reference Components

DESCRIPTION	QUANTITY	REFERENCE PAGE
Cable Seals	3	96
Terminals	3	96

Mating Components

PART NUMBER	MATING PART NUMBER	REFERENCE PAGE
E-5756	E-5965	19

Part Number: E-5965 - 1.5mm 3-Way Male Connector



Assembly Configurations

SUBCOMPONENTS	DESCRIPTION	CONNECTOR ASSEMBLIES				
		E-5965-001	E-5965-002	E-5965-003		
E-5964-001	HOUSING	1	1	1		
E-5963	SPACER	1	1	1		
E-3388	RETAINER		1			
E-3878	RETAINER (ANTI-ROTATION)			1		

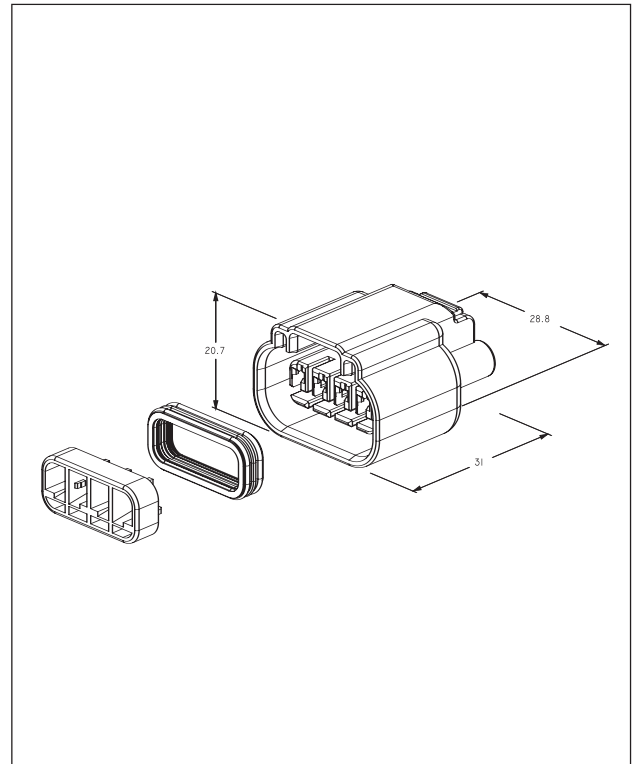
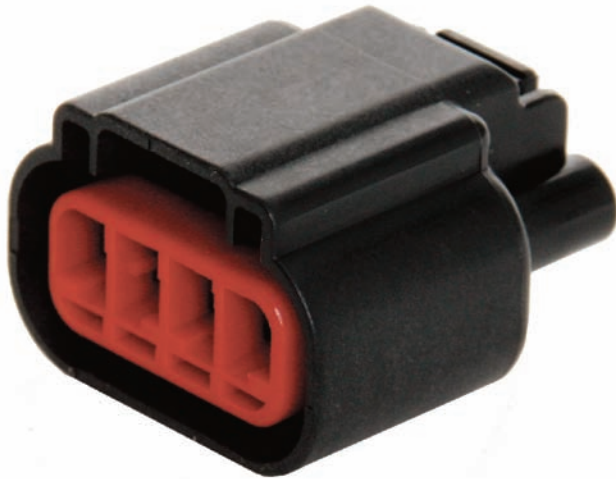
Reference Components

DESCRIPTION	QUANTITY	REFERENCE PAGE
Cable Seals	3	98
Terminals	3	98

Mating Components

PART NUMBER	MATING PART NUMBER	REFERENCE PAGE
E-5965-001	E-5756	18
E-5965-002	E-5756	18
E-5965-003	E-5756	18

Part Number: E-3166 - 1.5mm 4-Way Female Connector



Assembly Configurations

SUBCOMPONENTS	DESCRIPTION	CONNECTOR ASSEMBLIES			
		E-3166			
E-3171	HOUSING - FEMALE	1			
E-3168	TPA	1			
E-3169	INTERFACIAL SEAL	1			

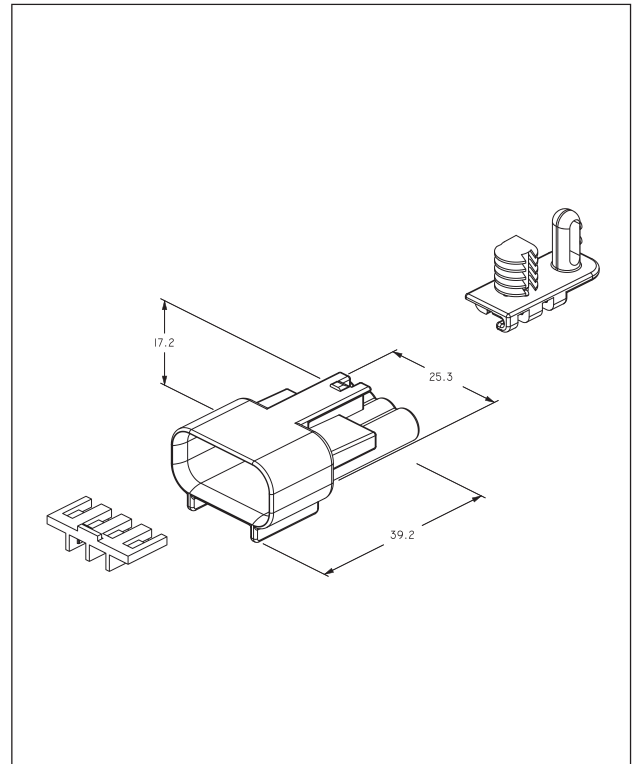
Reference Components

DESCRIPTION	QUANTITY	REFERENCE PAGE
Cable Seals	4	100
Terminals	4	100

Mating Components

PART NUMBER	MATING PART NUMBER	REFERENCE PAGE
E-3166	E-5345-001	21
E-3166	E-5345-002	21
E-3166	E-5345-003	21

Part Number: E-5345 - 1.5mm 4-Way Male Connector



Assembly Configurations

SUBCOMPONENTS	DESCRIPTION	CONNECTOR ASSEMBLIES			
		E-5345-001	E-5345-002	E-5345-003	E-5345-004
E-5346	HOUSING	1	1	1	1
E-5347	TPA	1	1	1	1
E-3388	RETAINER		1		
E-3878	RETAINER (ANTI-ROTATION)			1	
E-5941	RETAINER				1

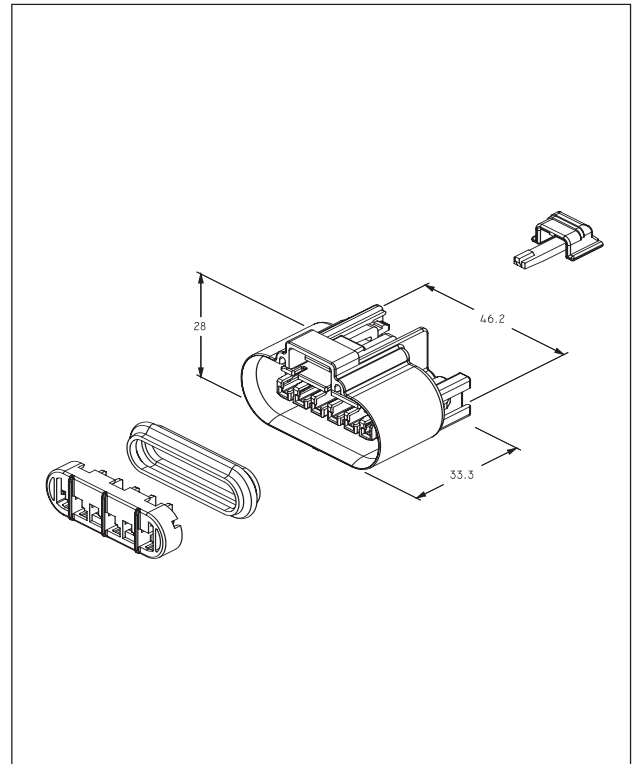
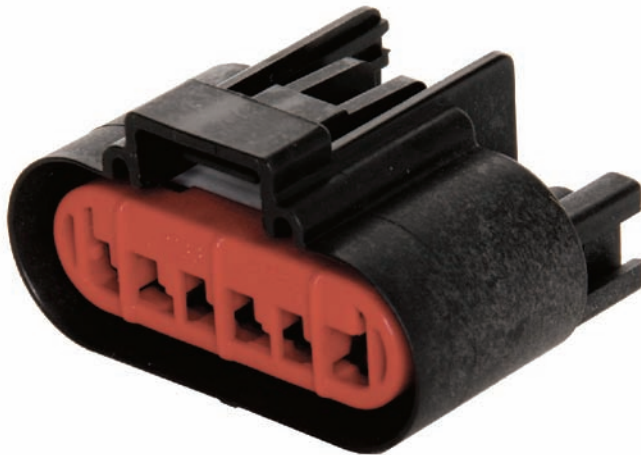
Reference Components

DESCRIPTION	QUANTITY	REFERENCE PAGE
Cable Seals	4	99
Terminals	4	99

Mating Components

PART NUMBER	MATING PART NUMBER	REFERENCE PAGE
E-5345-001	E-3166	20
E-5345-002	E-3166	20
E-5345-003	E-3166	20
E-5345-004	E-3166	20

Part Number: E-2162 - 1.5mm 6-Way Female Connector



Assembly Configurations

SUBCOMPONENTS	DESCRIPTION	CONNECTOR ASSEMBLIES				
		E-2162-000	E-2162-001			
E-2164	HOUSING	1	1			
E-2166	SPACER	1	1			
E-2165	INTERFACIAL SEAL	1	1			
E-2235	CPA		1			

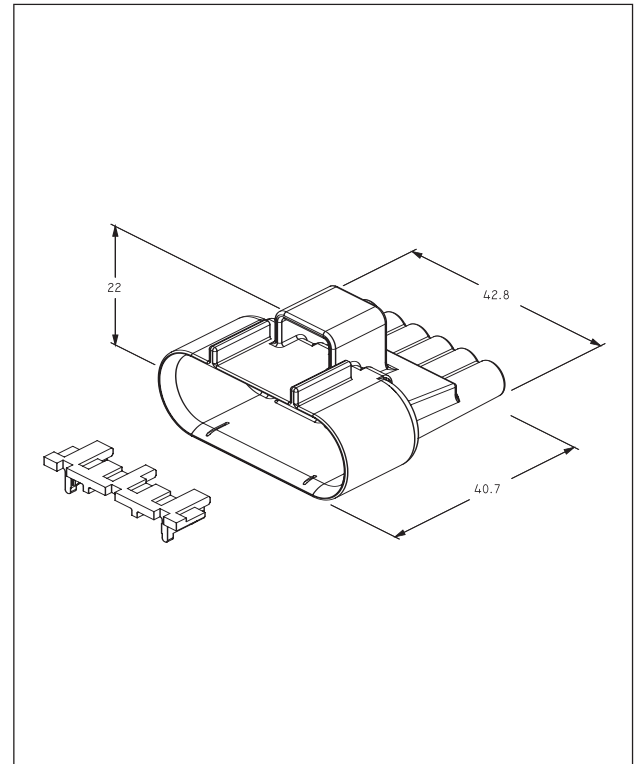
Reference Components

DESCRIPTION	QUANTITY	REFERENCE PAGE
Cable Seals	6	100
Terminals	6	100

Mating Components

PART NUMBER	MATING PART NUMBER	REFERENCE PAGE
E-2162-000	E-5930	23
E-2162-001	E-5930	23

Part Number: E-5930 - 1.5mm 6-Way Male Connector



Assembly Configurations

SUBCOMPONENTS	DESCRIPTION	CONNECTOR ASSEMBLIES			
		E-5930-000			
E-5929	HOUSING	1			
E-5928	SPACER	1			

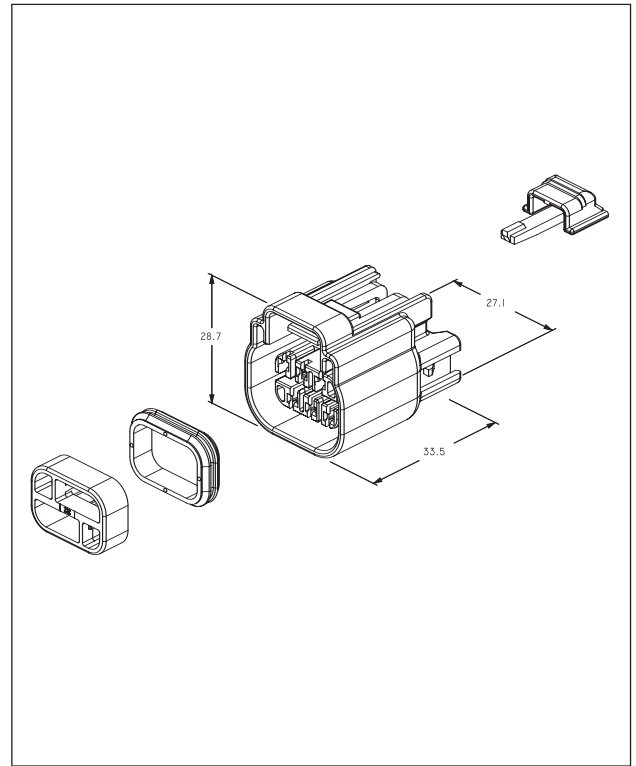
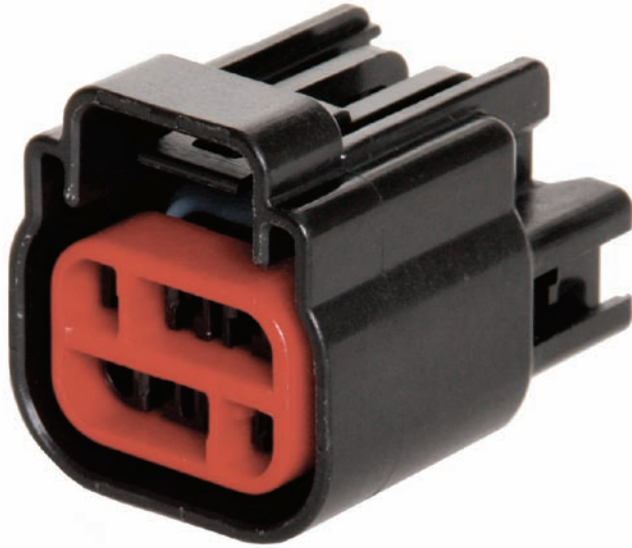
Reference Components

DESCRIPTION	QUANTITY	REFERENCE PAGE
Cable Seals	6	96
Terminals	6	96

Mating Components

PART NUMBER	MATING PART NUMBER	REFERENCE PAGE
E-5930-000	E-2162-000	22
E-5930-000	E-2162-001	22

Part Number: E-5651 - 1.5mm 6-Way Female Connector



Assembly Configurations

SUBCOMPONENTS	DESCRIPTION	CONNECTOR ASSEMBLIES		
		E-5651-001	E-5651-002	E-5651-003
E-5652-001	HOUSING (A POL)	1		1
E-5653	INTERFACIAL SEAL	1	1	1
E-5654	SPACER	1	1	1
E-2235	CPA			1
E-5652-005	HOUSING (A POL)		1	

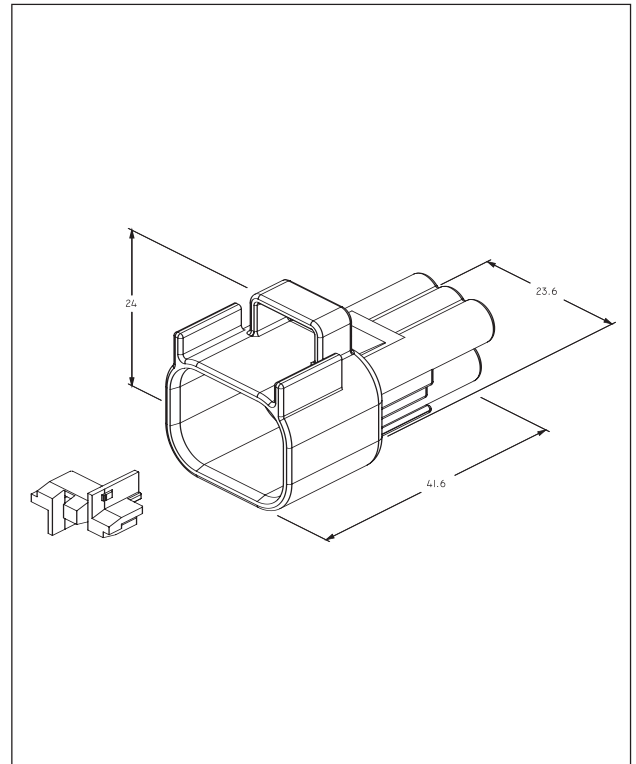
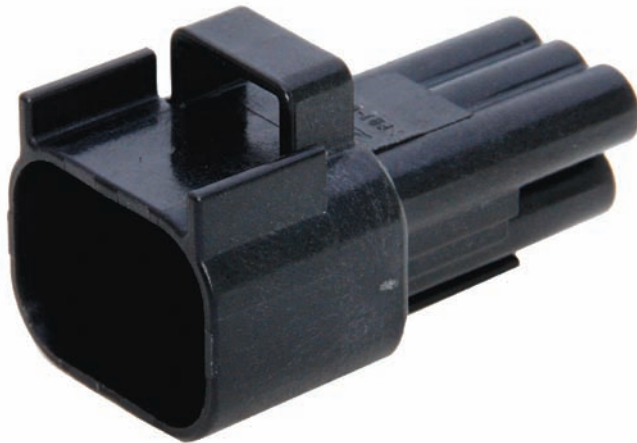
Reference Components

DESCRIPTION	QUANTITY	REFERENCE PAGE
Cable Seals	6	97
Terminals	6	97

Mating Components

PART NUMBER	MATING PART NUMBER	REFERENCE PAGE
E-5651-001	E-5655-001	25
E-5651-002	E-5655-001	25
E-5651-003	E-5655-001	25

Part Number: E-5655 - 1.5mm 6-Way Male Connector



Assembly Configurations

SUBCOMPONENTS	DESCRIPTION	CONNECTOR ASSEMBLIES			
		E-5655-001	E-5655-002	E-5655-003	
E-5656-001	HOUSING (A POL)	1	1	1	
E-5657	SPACER	1	1	1	
E-3388	RETAINER		1		
E-3886	RETAINER (ANTI-ROTATION)			1	

Reference Components

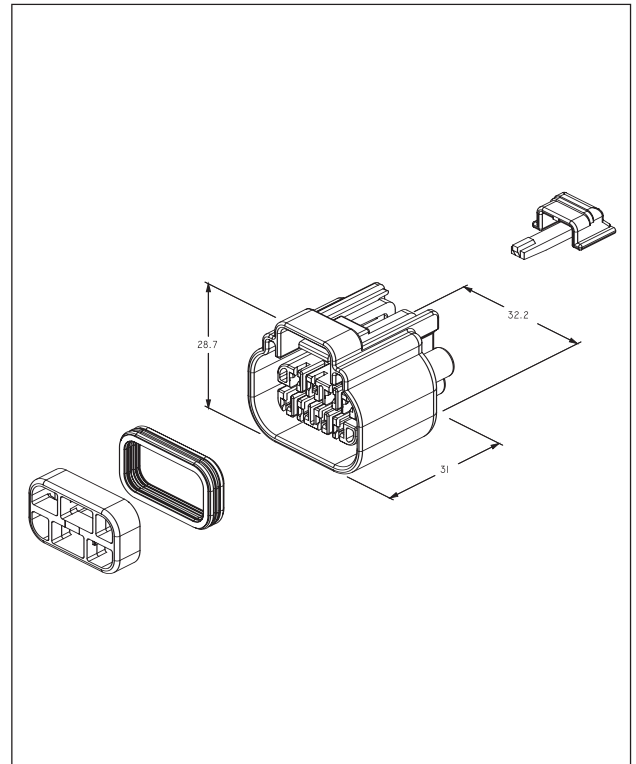
DESCRIPTION	QUANTITY	REFERENCE PAGE
Cable Seals	6	97
Terminals	6	97

Mating Components

PART NUMBER	MATING PART NUMBER	REFERENCE PAGE
E-5655-001	E-5651-001	24
E-5655-002	E-5651-001	24
E-5655-003	E-5651-001	24

Part Number: E-5225 - 1.5mm 8-Way Female Connector

NO
PHOTO
AVAILABLE



Assembly Configurations

SUBCOMPONENTS	DESCRIPTION	CONNECTOR ASSEMBLIES				
		E-5225-001				
E-5226	HOUSING	1				
E-5227	INTERFACIAL SEAL	1				
E-5228	TPA	1				

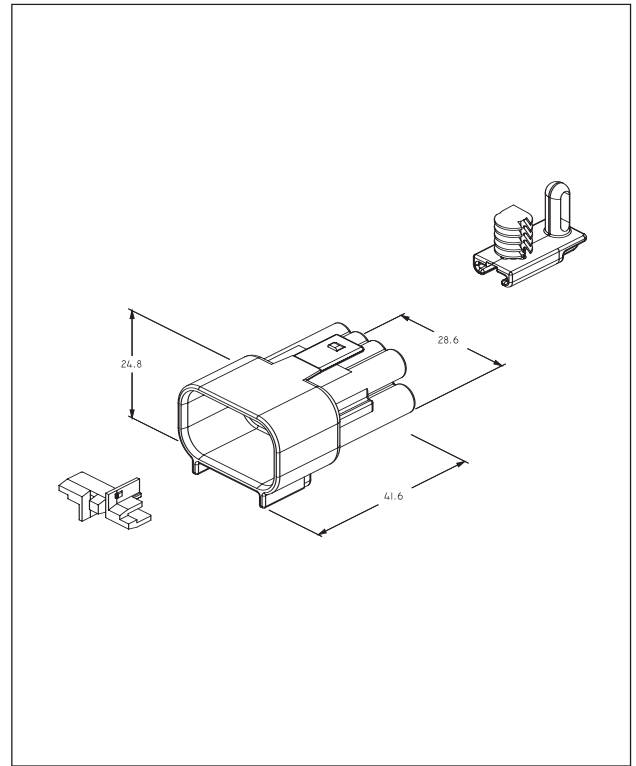
Reference Components

DESCRIPTION	QUANTITY	REFERENCE PAGE
Cable Seals	8	95
Terminals	8	95

Mating Components

PART NUMBER	MATING PART NUMBER	REFERENCE PAGE
E-5225-001	E-5222 (001-002)	27

Part Number: E-5222 - 1.5mm 8-Way Male Connector



Assembly Configurations

SUBCOMPONENTS	DESCRIPTION	CONNECTOR ASSEMBLIES			
		E-5222-001	E-5222-002	E-5222-003	
E-5223	HOUSING (A-POL)	1	1	1	
E-5224	SPACER	1	1	1	
E-3388	RETAINER		1		
E-3886	RETAINER (ANTI-ROTATION)			1	

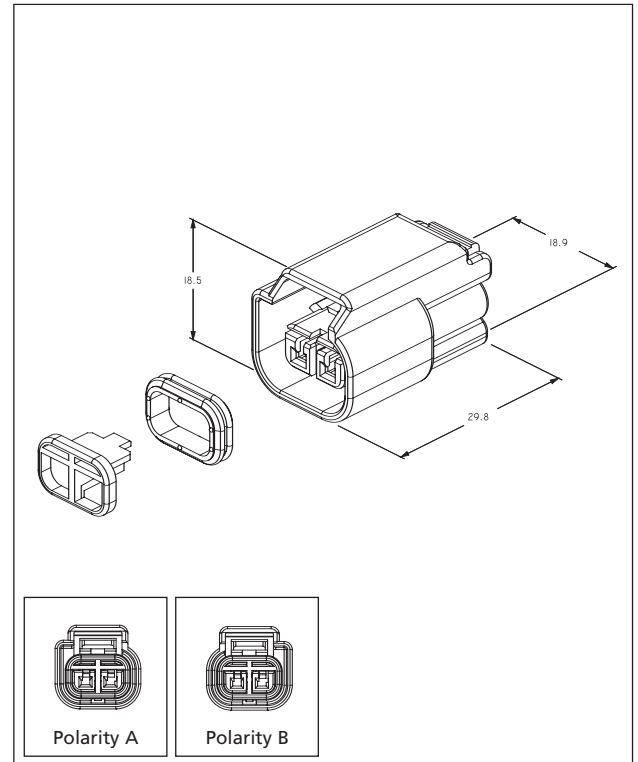
Reference Components

DESCRIPTION	QUANTITY	REFERENCE PAGE
Cable Seals	8	95
Terminals	8	95

Mating Components

PART NUMBER	MATING PART NUMBER	REFERENCE PAGE
E-5222-001	E-5225-001	26
E-5222-002	E-5225-001	26
E-5222-003	E-5225-001	26

Part Number: E-3979 - 1.5mm 2-Way Female Device Connector



Assembly Configurations

SUBCOMPONENTS	DESCRIPTION	CONNECTOR ASSEMBLIES			
		E-3979	E-3979-001	E-3979-002	
E-3977	HOUSING (A-POL)	1		1	
E-3976	TPA	1	1	1	
E-3978-002	INTERFACIAL SEAL	1			
E-3977-001	HOUSING (B-POL)		1		
E-3978	INTERFACIAL SEAL		1	1	

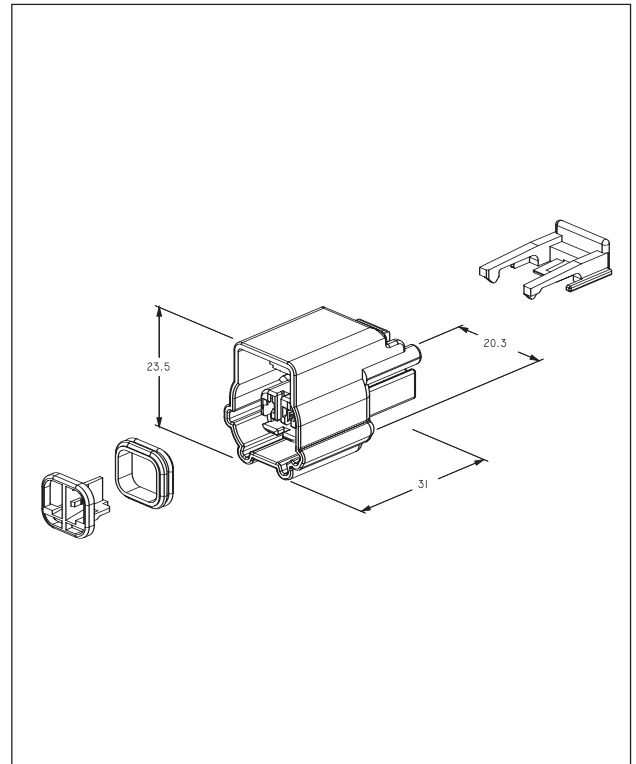
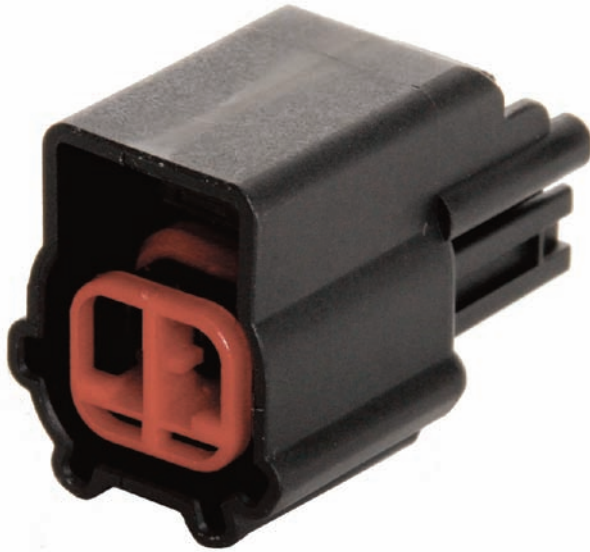
Reference Components

DESCRIPTION	QUANTITY	REFERENCE PAGE
Cable Seals	2	78
Terminals	2	78

Mating Components

PART NUMBER	MATING PART NUMBER	REFERENCE PAGE
E-3979	INTERFACE CONNECTOR	-
E-3979-001	INTERFACE CONNECTOR	-
E-3979-002	INTERFACE CONNECTOR	-

Part Number: E-4995 - 1.5mm 2-Way Female Device Connector



Assembly Configurations

SUBCOMPONENTS	DESCRIPTION	CONNECTOR ASSEMBLIES			
		E-4995	E-4996	E-4678	R-64958-001
E-4997	HOUSING	1	1		
E-2158	SPACER	1	1	1	1
E-1813	INTERFACIAL SEAL	1	1	1	1
E-4998	CPA	1			1
E-4677	HOUSING			1	
R64957-001	HOUSING				1

Reference Components

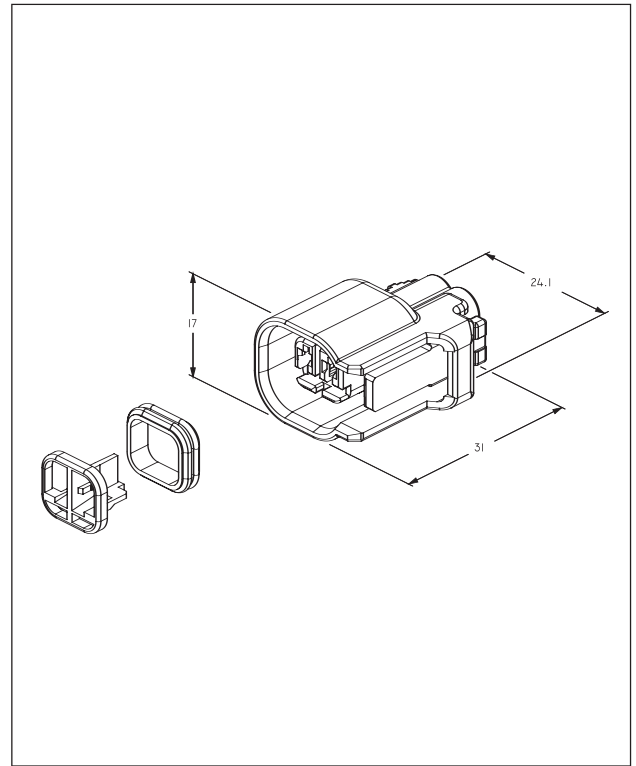
DESCRIPTION	QUANTITY	REFERENCE PAGE
Cable Seals	2	76
Terminals	2	76

Mating Components

PART NUMBER	MATING PART NUMBER	REFERENCE PAGE
E-4995	INTERFACE CONNECTOR	-
E-4996	INTERFACE CONNECTOR	-
E-4678	INTERFACE CONNECTOR	-
R-64958-001	INTERFACE CONNECTOR	-

Part Number: E-5343 - 1.5mm 2-Way Female Device Connector

NO
PHOTO
AVAILABLE



Assembly Configurations

SUBCOMPONENTS	DESCRIPTION	CONNECTOR ASSEMBLIES				
		E-5343				
E-5344	HOUSING	1				
E-2158	SPACER	1				
E-1813-002	INTERFACIAL SEAL	1				

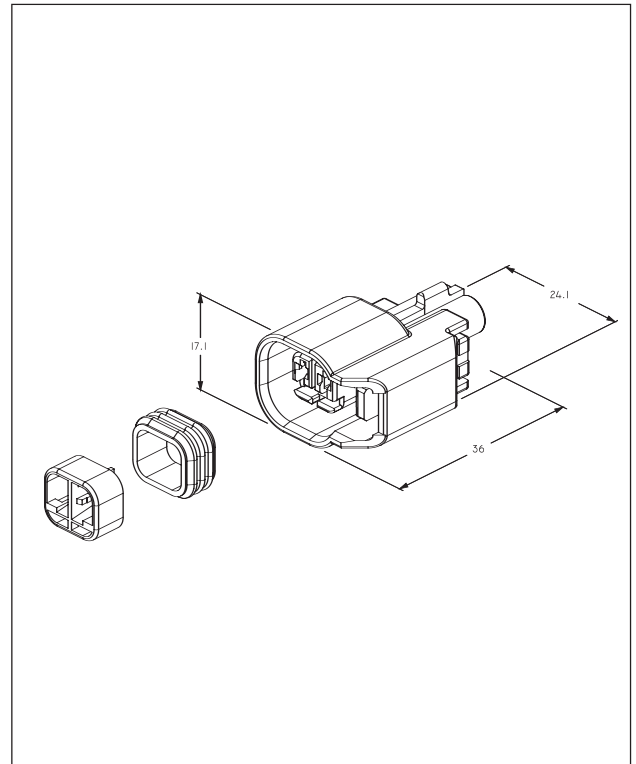
Reference Components

DESCRIPTION	QUANTITY	REFERENCE PAGE
Cable Seals	2	101
Terminals	2	101

Mating Components

PART NUMBER	MATING PART NUMBER	REFERENCE PAGE
E-5343	INTERFACE CONNECTOR	-

Part Number: E-5646 - 1.5mm 2-Way Female Device Connector



Assembly Configurations

SUBCOMPONENTS	DESCRIPTION	CONNECTOR ASSEMBLIES			
		E-5646			
E-5647	HOUSING	1			
E-5649	SPACER	1			
E-5648	INTERFACIAL SEAL	1			

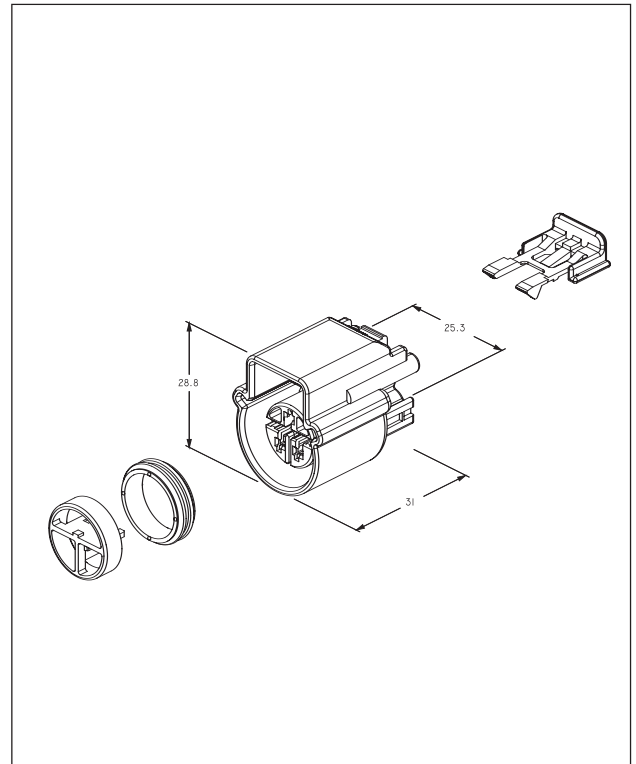
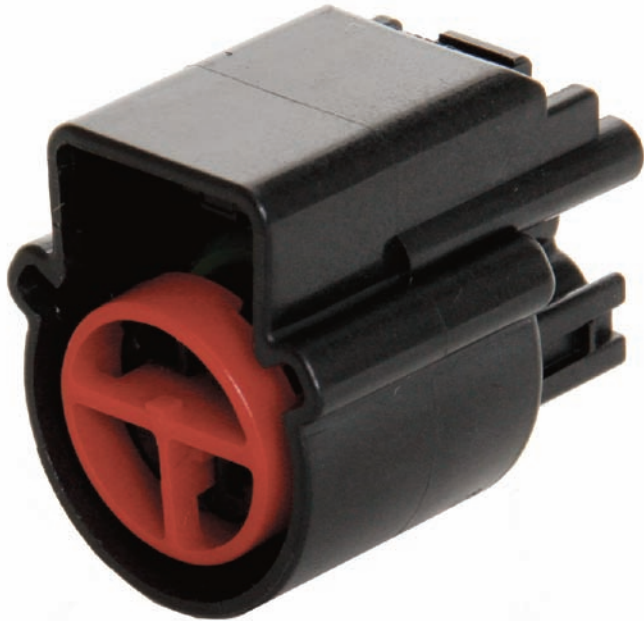
Reference Components

DESCRIPTION	QUANTITY	REFERENCE PAGE
Cable Seals	2	79
Terminals	2	79

Mating Components

PART NUMBER	MATING PART NUMBER	REFERENCE PAGE
E-5646	INTERFACE CONNECTOR	-

Part Number: E-4077 - 1.5mm 3-Way Female Device Connector



Assembly Configurations

SUBCOMPONENTS	DESCRIPTION	CONNECTOR ASSEMBLIES				
		E-4077	E-4077-001			
E-4078	HOUSING (A POL)	1	1			
E-4079	INTERFACIAL SEAL	1	1			
E-4080	SPACER	1	1			
E-4999	CPA		1			

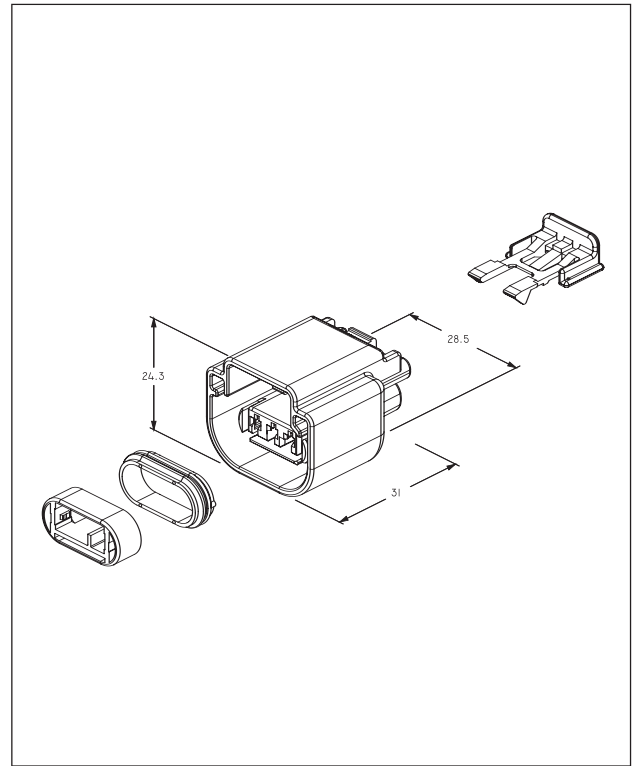
Reference Components

DESCRIPTION	QUANTITY	REFERENCE PAGE
Cable Seals	3	77
Terminals	3	77

Mating Components

PART NUMBER	MATING PART NUMBER	REFERENCE PAGE
E-4077	INTERFACE CONNECTOR	-
E-4077-001	INTERFACE CONNECTOR	-

Part Number: E-5523 - 1.5mm 3-Way Female Device Connector



Assembly Configurations

SUBCOMPONENTS	DESCRIPTION	CONNECTOR ASSEMBLIES			
		E-5523-001	E-5523-002		
E-5524-001	HOUSING	1	1		
E-5526	SPACER	1	1		
E-5525	INTERFACIAL SEAL	1	1		
E-4999	CPA		1		

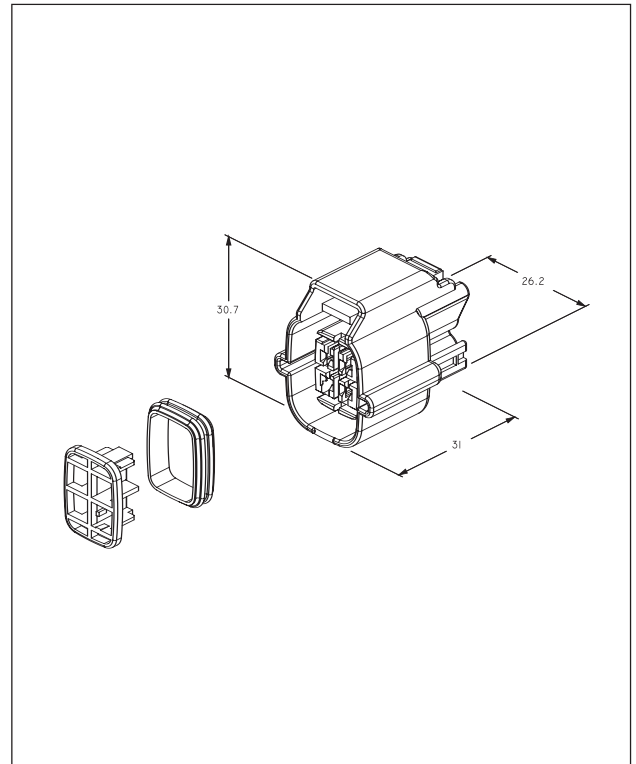
Reference Components

DESCRIPTION	QUANTITY	REFERENCE PAGE
Cable Seals	3	78
Terminals	3	78

Mating Components

PART NUMBER	MATING PART NUMBER	REFERENCE PAGE
E-5523-001	INTERFACE CONNECTOR	-
E-5523-002	INTERFACE CONNECTOR	-

Part Number: E-3938 - 1.5mm 4-Way Female Device Connector



Assembly Configurations

SUBCOMPONENTS	DESCRIPTION	CONNECTOR ASSEMBLIES			
		E-3938			
E-3939	HOUSING	1			
E-3940	TPA	1			
E-3957	INTERFACIAL SEAL	1			

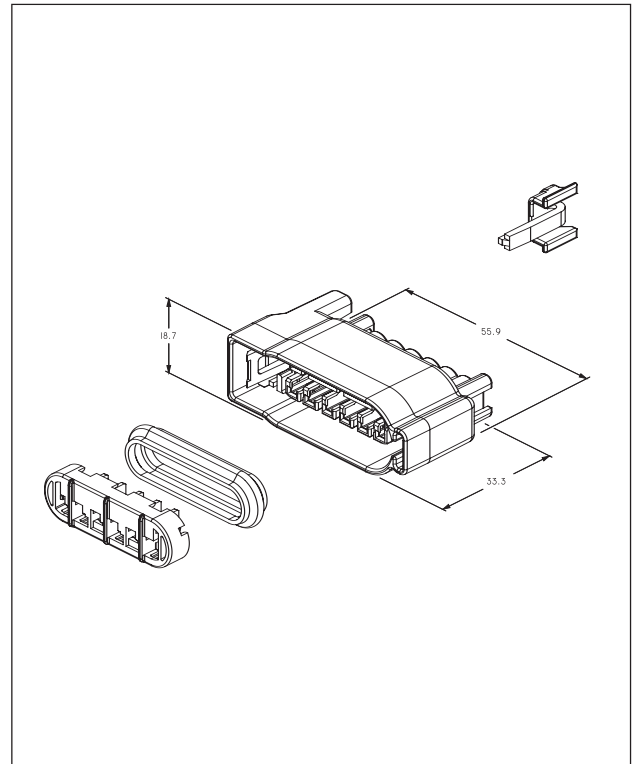
Reference Components

DESCRIPTION	QUANTITY	REFERENCE PAGE
Cable Seals	4	77
Terminals	4	77

Mating Components

PART NUMBER	MATING PART NUMBER	REFERENCE PAGE
E-3938	INTERFACE CONNECTOR	-

Part Number: E-5509 - 1.5mm 6-Way Female Device Connector



Assembly Configurations

SUBCOMPONENTS	DESCRIPTION	CONNECTOR ASSEMBLIES			
		E-5509-000	E-5509-001		
E-5508	HOUSING	1	1		
E-2166	SPACER	1	1		
E-2165	INTERFACIAL SEAL	1	1		
E-2235	CPA		1		

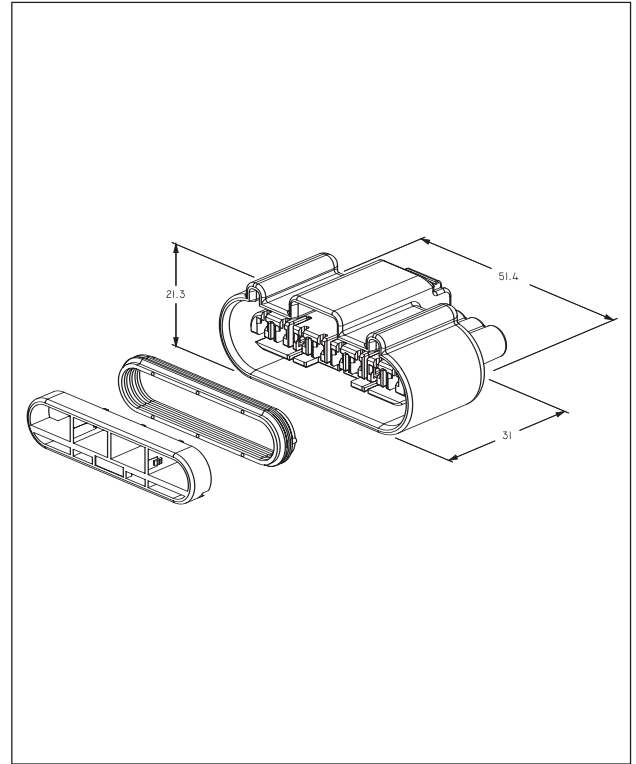
Reference Components

DESCRIPTION	QUANTITY	REFERENCE PAGE
Cable Seals	6	79
Terminals	6	79

Mating Components

PART NUMBER	MATING PART NUMBER	REFERENCE PAGE
E-5509-000	INTERFACE CONNECTOR	-
E-5509-001	INTERFACE CONNECTOR	-

Part Number: E-5708 - 1.5mm 8-Way Female Device Connector



Assembly Configurations

SUBCOMPONENTS	DESCRIPTION	CONNECTOR ASSEMBLIES				
		E-5708-001	E-5708-002			
E-5709-001	HOUSING	1				
E-5709-002	HOUSING		1			
E-5711-001	SPACER	1	1			
E-5710-001	INTERFACIAL SEAL	1	1			

Reference Components

DESCRIPTION	QUANTITY	REFERENCE PAGE
Cable Seals	8	76
Terminals	8	76

Mating Components

PART NUMBER	MATING PART NUMBER	REFERENCE PAGE
E-5708-001	INTERFACE CONNECTOR	-
E-5708-002	INTERFACE CONNECTOR	-

Part Number: E-5708

Terminal Selection		
MANUFACTURER	MANUFACTURER PART NUMBER	CABLE SIZE
YAZAKI	7116-4102-02	20-22 AWG
YAZAKI	7116-4102-08	20-22 AWG
YAZAKI	7116-4103-02	16-18 AWG
YAZAKI	7116-4103-08	16-18 AWG
YAZAKI	7116-4105-02	14 AWG

Cable Seal Selection		
MANUFACTURER	MANUFACTURER PART NUMBER	CABLE SIZE
QSR	E-1644-01	20-22 AWG
QSR	E-1644-00	16-20 AWG
QSR	E-1644-02	14-16 AWG

Part Number: E-4995

Terminal Selection		
MANUFACTURER	MANUFACTURER PART NUMBER	CABLE SIZE
YAZAKI	7116-4102-02	20-22 AWG
YAZAKI	7116-4102-08	20-22 AWG
YAZAKI	7116-4103-02	16-18 AWG
YAZAKI	7116-4103-08	16-18 AWG
YAZAKI	7116-4105-02	14 AWG

Cable Seal Selection		
MANUFACTURER	MANUFACTURER PART NUMBER	CABLE SIZE
QSR	E-1644-01	20-22 AWG
QSR	E-1644-00	16-20 AWG
QSR	E-1644-02	14-16 AWG

Part Number: E-4077

Terminal Selection		
MANUFACTURER	MANUFACTURER PART NUMBER	CABLE SIZE
YAZAKI	7116-4102-02	20-22 AWG
YAZAKI	7116-4102-08	20-22 AWG
YAZAKI	7116-4103-02	16-18 AWG
YAZAKI	7116-4103-08	16-18 AWG
YAZAKI	7116-4105-02	14 AWG

Cable Seal Selection		
MANUFACTURER	MANUFACTURER PART NUMBER	CABLE SIZE
QSR	E-1644-01	20-22 AWG
QSR	E-1644-00	16-20 AWG
QSR	E-1644-02	14-16 AWG

Part Number: E-3938

Terminal Selection		
MANUFACTURER	MANUFACTURER PART NUMBER	CABLE SIZE
YAZAKI	7116-4102-02	20-22 AWG
YAZAKI	7116-4102-08	20-22 AWG
YAZAKI	7116-4103-02	16-18 AWG
YAZAKI	7116-4103-08	16-18 AWG
AZAKI	7116-4105-02	14 AWG

Cable Seal Selection		
MANUFACTURER	MANUFACTURER PART NUMBER	CABLE SIZE
QSR	E-3970-003	20-22 AWG
QSR	E-3970-002	16-20 AWG
QSR	E-3970-001	14-16 AWG

Part Number: E-3979

Terminal Selection		
MANUFACTURER	MANUFACTURER PART NUMBER	CABLE SIZE
YAZAKI	7116-4102-02	20-22 AWG
YAZAKI	7116-4102-08	20-22 AWG
YAZAKI	7116-4103-02	16-18 AWG
YAZAKI	7116-4103-08	16-18 AWG
YAZAKI	7116-4105-02	14 AWG

Cable Seal Selection		
MANUFACTURER	MANUFACTURER PART NUMBER	CABLE SIZE
QSR	E-1644-01	20-22 AWG
QSR	E-1644-00	16-20 AWG
QSR	E-1644-02	14-16 AWG

Part Number: E-5523

Terminal Selection		
MANUFACTURER	MANUFACTURER PART NUMBER	CABLE SIZE
YAZAKI	7116-4102-02	20-22 AWG
YAZAKI	7116-4102-08	20-22 AWG
YAZAKI	7116-4103-02	16-18 AWG
YAZAKI	7116-4103-08	16-18 AWG
YAZAKI	7116-4105-02	14 AWG

Cable Seal Selection		
MANUFACTURER	MANUFACTURER PART NUMBER	CABLE SIZE
QSR	E-1644-01	20-22 AWG
QSR	E-1644-00	16-20 AWG
QSR	E-1644-02	14-16 AWG

Part Number: E-5646

Terminal Selection		
MANUFACTURER	MANUFACTURER PART NUMBER	CABLE SIZE
YAZAKI	7116-4102-02	20-22 AWG
YAZAKI	7116-4102-08	20-22 AWG
YAZAKI	7116-4103-02	16-18 AWG
YAZAKI	7116-4103-08	16-18 AWG
YAZAKI	7116-4105-02	14 AWG

Cable Seal Selection		
MANUFACTURER	MANUFACTURER PART NUMBER	CABLE SIZE
QSR	E-1644-01	20-22 AWG
QSR	E-1644-00	16-20 AWG
QSR	E-1644-02	14-16 AWG

Part Number: E-5509

Terminal Selection		
MANUFACTURER	MANUFACTURER PART NUMBER	CABLE SIZE
YAZAKI	7116-4102-02	20-22 AWG
YAZAKI	7116-4102-08	20-22 AWG
YAZAKI	7116-4103-02	16-18 AWG
YAZAKI	7116-4103-08	16-18 AWG
YAZAKI	7116-4105-02	14 AWG

Cable Seal Selection		
MANUFACTURER	MANUFACTURER PART NUMBER	CABLE SIZE
QSR	E-1644-01	20-22 AWG
QSR	E-1644-00	16-20 AWG
QSR	E-1644-02	14-16 AWG

Part Number: E-2238

Terminal Selection		
MANUFACTURER	MANUFACTURER PART NUMBER	CABLE SIZE
YAZAKI	7114-4102-02	20-22 AWG
YAZAKI	7114-4102-08	20-22 AWG
YAZAKI	7114-4103-02	16-18 AWG
YAZAKI	7114-4103-08	16-18 AWG

Cable Seal Selection		
MANUFACTURER	MANUFACTURER PART NUMBER	CABLE SIZE
QSR	E-1644-01	20-22 AWG
QSR	E-1644-00	16-20 AWG
QSR	E-1644-02	14-16 AWG

Part Number: E-3375

Terminal Selection		
MANUFACTURER	MANUFACTURER PART NUMBER	CABLE SIZE
YAZAKI	7116-4102-02	20-22 AWG
YAZAKI	7116-4102-08	20-22 AWG
YAZAKI	7116-4103-02	16-18 AWG
YAZAKI	7116-4103-08	16-18 AWG
YAZAKI	7116-4105-02	14 AWG

Cable Seal Selection		
MANUFACTURER	MANUFACTURER PART NUMBER	CABLE SIZE
QSR	E-1644-01	20-22 AWG
QSR	E-1644-00	16-20 AWG
QSR	E-1644-02	14-16 AWG

Part Number: E-2239

Terminal Selection		
MANUFACTURER	MANUFACTURER PART NUMBER	CABLE SIZE
YAZAKI	7116-4102-02	20-22 AWG
YAZAKI	7116-4102-08	20-22 AWG
YAZAKI	7116-4103-02	16-18 AWG
YAZAKI	7116-4103-08	16-18 AWG
YAZAKI	7116-4105-02	14 AWG

Cable Seal Selection		
MANUFACTURER	MANUFACTURER PART NUMBER	CABLE SIZE
QSR	E-1644-01	20-22 AWG
QSR	E-1644-00	16-20 AWG
QSR	E-1644-02	14-16 AWG

Part Number: E-5931

Terminal Selection		
MANUFACTURER	MANUFACTURER PART NUMBER	CABLE SIZE
TYCO	0-1393367-1	22 AWG
TYCO	0-1393364-1	22 AWG
TYCO	0-1393366-1	18-20 AWG
TYCO	0-1393365-1	18-20 AWG

Part Number: E-5937

Terminal Selection		
MANUFACTURER	MANUFACTURER PART NUMBER	CABLE SIZE
TYCO	1 - 1419158 - 6	22 AWG
TYCO	3 - 1419158 - 1	22 AWG
TYCO	2 - 1419158 - 5	18-20 AWG
TYCO	2 - 1419158 - 3	18-20 AWG

Part Number: E-5092

Terminal Selection		
MANUFACTURER	MANUFACTURER PART NUMBER	CABLE SIZE
YAZAKI	7116-4102-02	20-22 AWG
YAZAKI	7116-4102-08	20-22 AWG
YAZAKI	7116-4103-02	16-18 AWG
YAZAKI	7116-4103-08	16-18 AWG
YAZAKI	7116-4105-02	14 AWG

Cable Seal Selection		
MANUFACTURER	MANUFACTURER PART NUMBER	CABLE SIZE
QSR	E-1644-01	20-22 AWG
QSR	E-1644-00	16-20 AWG
QSR	E-1644-02	14-16 AWG

Part Number: E-5096

Terminal Selection		
MANUFACTURER	MANUFACTURER PART NUMBER	CABLE SIZE
YAZAKI	7114-4102-02	20-22 AWG
YAZAKI	7114-4102-08	20-22 AWG
YAZAKI	7114-4103-02	16-18 AWG
YAZAKI	7114-4103-08	16-18 AWG

Cable Seal Selection		
MANUFACTURER	MANUFACTURER PART NUMBER	CABLE SIZE
QSR	E-1644-01	20-22 AWG
QSR	E-1644-00	16-20 AWG
QSR	E-1644-02	14-16 AWG

Part Number: E-4689

Terminal Selection		
MANUFACTURER	MANUFACTURER PART NUMBER	CABLE SIZE
YAZAKI	7116-4120-02	16-18 AWG
YAZAKI	7116-4121-02	14 AWG
YAZAKI	7116-4122-02	12 AWG
YAZAKI	7116-4124-02	10 AWG

Part Number: E-5222

Terminal Selection		
MANUFACTURER	MANUFACTURER PART NUMBER	CABLE SIZE
YAZAKI	7114-4102-02	20-22 AWG
YAZAKI	7114-4102-08	20-22 AWG
YAZAKI	7114-4103-02	16-18 AWG
YAZAKI	7114-4103-08	16-18 AWG

Cable Seal Selection		
MANUFACTURER	MANUFACTURER PART NUMBER	CABLE SIZE
QSR	E-1644-01	20-22 AWG
QSR	E-1644-00	16-20 AWG
QSR	E-1644-02	14-16 AWG

Part Number: E-5225

Terminal Selection		
MANUFACTURER	MANUFACTURER PART NUMBER	CABLE SIZE
YAZAKI	7116-4102-02	20-22 AWG
YAZAKI	7116-4102-08	20-22 AWG
YAZAKI	7116-4103-02	16-18 AWG
YAZAKI	7116-4103-08	16-18 AWG
YAZAKI	7116-4105-02	14 AWG

Cable Seal Selection		
MANUFACTURER	MANUFACTURER PART NUMBER	CABLE SIZE
QSR	E-1644-01	20-22 AWG
QSR	E-1644-00	16-20 AWG
QSR	E-1644-02	14-16 AWG

Part Number: E-5930

Terminal Selection		
MANUFACTURER	MANUFACTURER PART NUMBER	CABLE SIZE
YAZAKI	7114-4102-02	20-22 AWG
YAZAKI	7114-4102-08	20-22 AWG
YAZAKI	7114-4103-02	16-18 AWG
YAZAKI	7114-4103-08	16-18 AWG

Cable Seal Selection		
MANUFACTURER	MANUFACTURER PART NUMBER	CABLE SIZE
QSR	E-1644-01	20-22 AWG
QSR	E-1644-00	16-20 AWG
QSR	E-1644-02	14-16 AWG

Part Number: E-5756

Terminal Selection		
MANUFACTURER	MANUFACTURER PART NUMBER	CABLE SIZE
YAZAKI	7116-4102-02	20-22 AWG
YAZAKI	7116-4102-08	20-22 AWG
YAZAKI	7116-4103-02	16-18 AWG
YAZAKI	7116-4103-08	16-18 AWG
YAZAKI	7116-4105-02	14 AWG

Cable Seal Selection		
MANUFACTURER	MANUFACTURER PART NUMBER	CABLE SIZE
QSR	E-1644-01	20-22 AWG
QSR	E-1644-00	16-20 AWG
QSR	E-1644-02	14-16 AWG

Part Number: E-5655

Terminal Selection		
MANUFACTURER	MANUFACTURER PART NUMBER	CABLE SIZE
YAZAKI	7114-4102-02	20-22 AWG
YAZAKI	7114-4102-08	20-22 AWG
YAZAKI	7114-4103-02	16-18 AWG
YAZAKI	7114-4103-08	16-18 AWG

Cable Seal Selection		
MANUFACTURER	MANUFACTURER PART NUMBER	CABLE SIZE
QSR	E-1644-01	20-22 AWG
QSR	E-1644-00	16-20 AWG
QSR	E-1644-02	14-16 AWG

Part Number: E-5651

Terminal Selection		
MANUFACTURER	MANUFACTURER PART NUMBER	CABLE SIZE
YAZAKI	7116-4102-02	20-22 AWG
YAZAKI	7116-4102-08	20-22 AWG
YAZAKI	7116-4102-02	20 AWG
YAZAKI	7116-4103-02	16-18 AWG
YAZAKI	7116-4102-08	20 AWG
YAZAKI	7116-4103-08	16-18 AWG
YAZAKI	7116-4105-02	14 AWG

Cable Seal Selection		
MANUFACTURER	MANUFACTURER PART NUMBER	CABLE SIZE
QSR	E-1644-01	20-22 AWG
QSR	E-1644-00	16-20 AWG
QSR	E-1644-02	14-16 AWG

Part Number: E-5965

Terminal Selection		
MANUFACTURER	MANUFACTURER PART NUMBER	CABLE SIZE
YAZAKI	7114-4102-02	20-22 AWG
YAZAKI	7114-4102-08	20-22 AWG
YAZAKI	7114-4103-02	16-18 AWG
YAZAKI	7114-4103-08	16-18 AWG

Cable Seal Selection		
MANUFACTURER	MANUFACTURER PART NUMBER	CABLE SIZE
QSR	E-1644-01	20-22 AWG
QSR	E-1644-00	16-20 AWG
QSR	E-1644-02	14-16 AWG

Part Number: E-4011

Terminal Selection		
MANUFACTURER	MANUFACTURER PART NUMBER	CABLE SIZE
YAZAKI	7114-4102-02	20-22 AWG
YAZAKI	7114-4102-08	20-22 AWG
YAZAKI	7114-4103-02	16-18 AWG
YAZAKI	7114-4103-08	16-18 AWG

Cable Seal Selection		
MANUFACTURER	MANUFACTURER PART NUMBER	CABLE SIZE
QSR	E-1644-01	20-22 AWG
QSR	E-1644-00	16-20 AWG
QSR	E-1644-02	14-16 AWG

Part Number: E-4014

Terminal Selection		
MANUFACTURER	MANUFACTURER PART NUMBER	CABLE SIZE
YAZAKI	7116-4102-02	20-22 AWG
YAZAKI	7116-4102-08	20-22 AWG
YAZAKI	7116-4103-02	16-18 AWG
YAZAKI	7116-4103-08	16-18 AWG
YAZAKI	7116-4105-02	14 AWG

Cable Seal Selection		
MANUFACTURER	MANUFACTURER PART NUMBER	CABLE SIZE
QSR	E-1644-01	20-22 AWG
QSR	E-1644-00	16-20 AWG
QSR	E-1644-02	14-16 AWG

Part Number: E-5345

Terminal Selection		
MANUFACTURER	MANUFACTURER PART NUMBER	CABLE SIZE
YAZAKI	7114-4102-02	20-22 AWG
YAZAKI	7114-4102-08	20-22 AWG
YAZAKI	7114-4103-02	16-18 AWG
YAZAKI	7114-4103-08	16-18 AWG

Cable Seal Selection		
MANUFACTURER	MANUFACTURER PART NUMBER	CABLE SIZE
QSR	E-1644-01	20-22 AWG
QSR	E-1644-00	16-20 AWG
QSR	E-1644-02	14-16 AWG

Part Number: E-3166

Terminal Selection		
MANUFACTURER	MANUFACTURER PART NUMBER	CABLE SIZE
YAZAKI	7116-4102-02	20-22 AWG
YAZAKI	7116-4102-08	20-22 AWG
YAZAKI	7116-4103-02	16-18 AWG
YAZAKI	7116-4103-08	16-18 AWG
YAZAKI	7116-4105-02	14 AWG

Cable Seal Selection		
MANUFACTURER	MANUFACTURER PART NUMBER	CABLE SIZE
QSR	E-1644-01	20-22 AWG
QSR	E-1644-00	16-20 AWG
QSR	E-1644-02	14-16 AWG

Part Number: E-2162

Terminal Selection		
MANUFACTURER	MANUFACTURER PART NUMBER	CABLE SIZE
YAZAKI	7116-4102-02	20-22 AWG
YAZAKI	7116-4102-08	20-22 AWG
YAZAKI	7116-4103-02	16-18 AWG
YAZAKI	7116-4103-08	16-18 AWG
YAZAKI	7116-4105-02	14 AWG

Cable Seal Selection		
MANUFACTURER	MANUFACTURER PART NUMBER	CABLE SIZE
QSR	E-1644-01	20-22 AWG
QSR	E-1644-00	16-20 AWG
QSR	E-1644-02	14-16 AWG

Part Number: E-2157

Terminal Selection		
MANUFACTURER	MANUFACTURER PART NUMBER	CABLE SIZE
YAZAKI	7116-4102-02	20-22 AWG
YAZAKI	7116-4102-08	20-22 AWG
YAZAKI	7116-4103-02	16-18 AWG
YAZAKI	7116-4103-08	16-18 AWG
YAZAKI	7116-4105-02	14 AWG

Cable Seal Selection		
MANUFACTURER	MANUFACTURER PART NUMBER	CABLE SIZE
QSR	E-1644-01	20-22 AWG
QSR	E-1644-00	16-20 AWG
QSR	E-1644-02	14-16 AWG

Part Number: E-5343

Terminal Selection		
MANUFACTURER	MANUFACTURER PART NUMBER	CABLE SIZE
YAZAKI	7116-4102-02	20-22 AWG
YAZAKI	7116-4102-08	20-22 AWG
YAZAKI	7116-4103-02	16-18 AWG
YAZAKI	7116-4103-08	16-18 AWG

Cable Seal Selection		
MANUFACTURER	MANUFACTURER PART NUMBER	CABLE SIZE
QSR	E-1644-01	20-22 AWG
QSR	E-1644-00	16-20 AWG
QSR	E-1644-02	14-16 AWG

Part Number: E-3550

Terminal Selection		
MANUFACTURER	MANUFACTURER PART NUMBER	CABLE SIZE
YAZAKI	7116-4102-02	20-22 AWG
YAZAKI	7116-4102-08	20-22 AWG
YAZAKI	7116-4103-02	16-18 AWG
YAZAKI	7116-4103-08	16-18 AWG
YAZAKI	7116-4105-02	14 AWG

Cable Seal Selection		
MANUFACTURER	MANUFACTURER PART NUMBER	CABLE SIZE
QSR	E-1644-01	20-22 AWG
QSR	E-1644-00	16-20 AWG
QSR	E-1644-02	14-16 AWG

Part Number: E-3385

Terminal Selection		
MANUFACTURER	MANUFACTURER PART NUMBER	CABLE SIZE
YAZAKI	7114-4102-02	20-22 AWG
YAZAKI	7114-4102-08	20-22 AWG
YAZAKI	7114-4103-02	16-18 AWG
YAZAKI	7114-4103-08	16-18 AWG

Cable Seal Selection		
MANUFACTURER	MANUFACTURER PART NUMBER	CABLE SIZE
QSR	E-1644-01	20-22 AWG
QSR	E-1644-00	16-20 AWG
QSR	E-1644-02	14-16 AWG