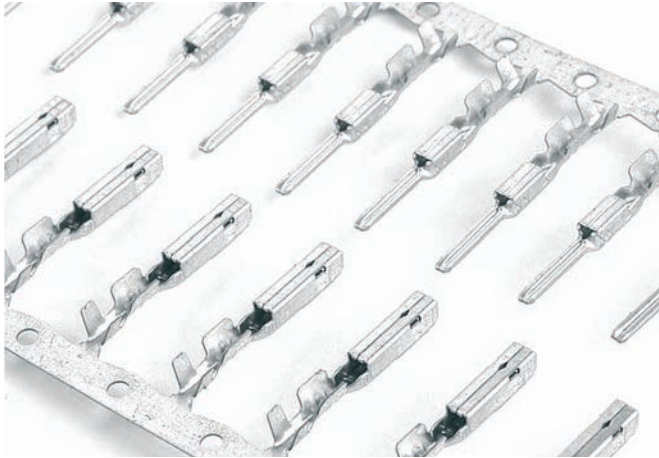


# APEX<sup>®</sup> 150 TERMINALS

USCAR



APEX<sup>®</sup> 150 Female & Male Terminals

## BENEFITS

- Heavy-duty performance
- Highest current rating

## FEATURES

- Two-piece construction
- Integrated floating spring made of beryllium copper or copper nickel silicon
- Meets or exceeds USCAR performance standards



## AVAILABLE CONFIGURATIONS

Terminal Type	Box & Blade
Terminal Construction	Two-piece
Locking Mechanism	Tangless / Lanceless
Terminal Cavity	APEX <sup>®</sup>
Blade Size (mm)	1.5
Wire Gage Range (AWG)	22 - 16
Wire Gage Range (mm <sup>2</sup> )	0.35 - 1.0
Genders	Female, Male
Sealing Options	Unsealed
Plating Options	Sn, Au



## CHARACTERISTICS

Contact Resistance	< 0.5 mΩ
Contact Mating Force	< 3.5 N
Contact Unmating Force	< 1 N

MAX  
TEMP



MAX  
VIBRATION



MAX  
CURRENT



Sealing	Gender	Plating	Wire size range (AWG)	Wire size range (mm <sup>2</sup> )	Part number	Other available platings	Other available configurations
Unsealed	F	Sn	22 - 20	0.35 - 0.5	13624983	Au	Rewind A, C
Unsealed	F	Sn	18 - 16	0.75 - 1.25	13613157	Au	Rewind A, C
Unsealed	M	Sn	22 - 20	0.35 - 0.5	13624759	Au	Rewind A
Unsealed	M	Sn	18 - 16	0.75 - 1.25	13630404	Au	Rewind A, C

Please, contact an Aptiv representative for the full part number list.

## COMPATIBLE WITH



# APEX<sup>®</sup> 150 SEALED SERIES



APEX<sup>®</sup> 150 Sealed  
10W Female & Male

## BENEFITS

- Heavy-duty performance
- Highest current rating
- Ergonomic design

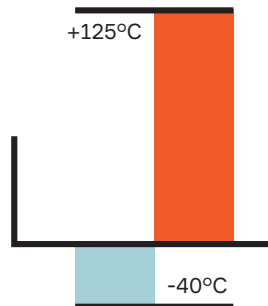
## FEATURES

- Waterproof application with interfacial and mat seal
- Compliant with USCAR design guidelines and performance standards
- USCAR footprint compatible
- Primary Lock Reinforcement (PLR)
- Mechanical polarization

## AVAILABLE CONFIGURATIONS

Cavity Count (ways)	10, 16
Cavity Configurations (mm)	1.5
Genders	Female, Male
Sealing Type	Mat Sealed
Centerline Spacing (mm)	3.5
CPA	Optional

## TEMPERATURE



## VIBRATION



## APPLICATIONS

Sealed inline and device applications

See back page for representative part numbers and packaging dimensions.

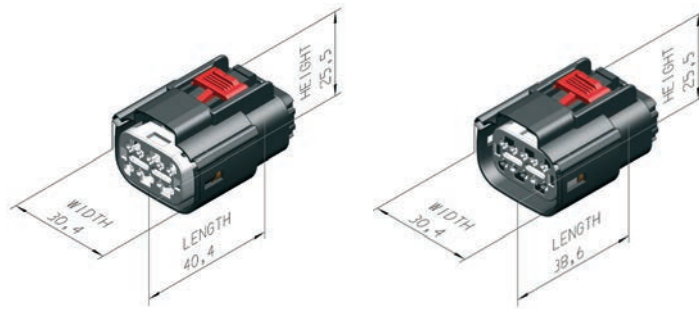
## ENVIRONMENTAL PROTECTION



Cavity count	Blade size (mm)	Gender	Dimensions W x H x D (mm)	Part number	Index	Color	Other indexes offered
10	1.5	F	28.7 x 24.7 x 38.6	13737245	A	Black	B, C, D
10	1.5	M	25.9 x 23.3 x 53.0	13763996	A	Black	B, C, D
16	1.5	F	39.2 x 24.7 x 38.6	13625159	A	Black	B, C, D
16	1.5	M	36.4 x 23.3 x 53.0	13625160	A	Black	B, C, D

Please, contact an Aptiv representative for the full part number list.

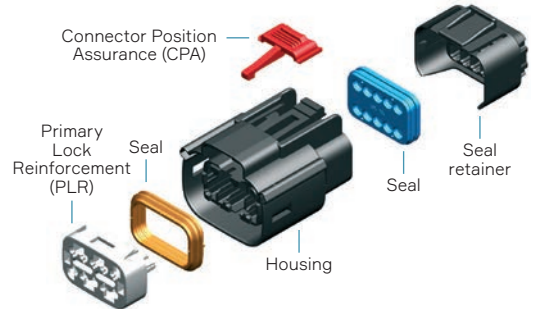
### DIMENSION MEASUREMENT SAMPLE



APEX® 150 Sealed 10W Female pre-assembly

APEX® 150 Sealed 10W Female assembly

### EXPLODED VIEW



APEX® 150 Sealed 10W Female

### COMPATIBLE WITH



APEX® 150 Series Terminals

