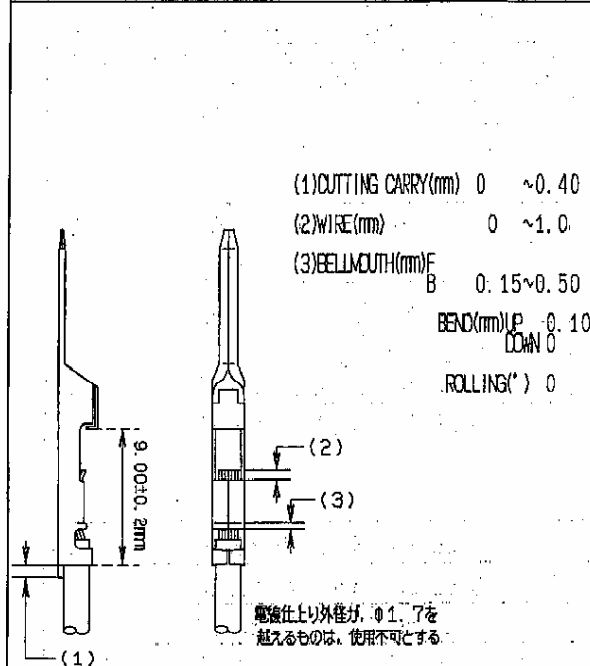


# 7114-1670-02

NAME: A-TYPE      REGISTRATION NO. TYPES: 72-WT08-1110-2      TERMINAL CRIMPING STANDARD: CONT. CONN. DEV. OFFICE, CONN. TECH. DEP.      PAGE: 1/1



ACCESSORY PARTS	KIND	SIZE	C/W		COND.	INSU.	FIG	S	TENSILE
			CONDUCTOR	INSULATION					
	CAV IRA	0.3	0.92 ± 0.03	3.00 ± 0.05	1.3 ~ 1.4	1.3 ~ 1.5			6.10
	CAVS NEOOR2								
	CAVUS SAVSS								
	DOREN ZHRKV								
	FSAVS	0.35	0.92 ± 0.03	3.00 ± 0.05					6.10
	AVSS3 CAVUS	0.5	1.00 ± 0.03	3.00 ± 0.05					9.20
	CAVS NEOOR2								
	CAVSM SAVSS								
	DOREN	0.5	1.00 ± 0.03	3.00 ± 0.05					9.00
	AVSS	0.5F	1.00 ± 0.03	3.00 ± 0.05					9.00
	NEOOR1	0.5F	1.00 ± 0.03	3.00 ± 0.05					9.20

WIRE EXCEEDING 1.7MM CAN'T BE USED FOR THIS TERMINAL

202b02/08/02	WA1681	APPLICABLE WIRE	CAVUS 10.3 ~ 0.5	CAVS 10.3 ~ 0.5	
N 1990/10/26	WA1201	STRIP	4.00 +0.50 -0		NAME YZK
Δ DATE	REVISION NO.		+	SUPPLIER NO.	

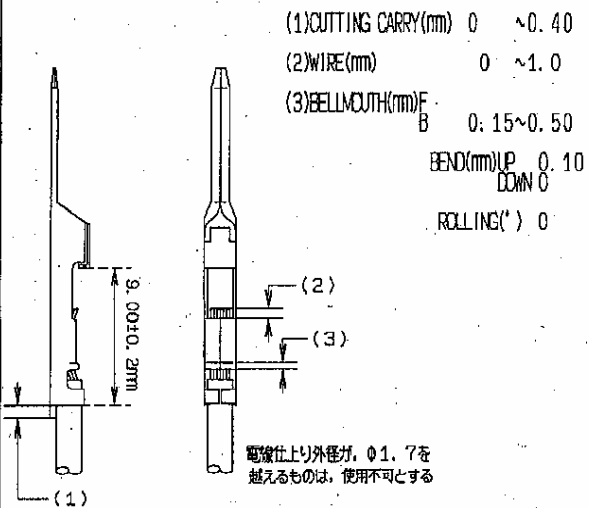
t 0.20	MACHINE YZK	CRIMPING DIE NO.	CRIMP. DIE C/W MARK (COND.) (INSU.)
FEED SIDE FEED	CRIMPING(INSU.)	A 7114-16705	1.3 1.45
		W 7114-16705	1.3
		I 7114-1670	1.45

ワイヤ クリムピング CRIMP

# 7114-1670-02

NAME: A-TYPE  
 REGISTRATION NO. TYPES: 72-WT08-30R -1  
 TERMINAL CRIMPING STANDARD: CONT. :CONN. DEV. OFFICE CONN. TECH. DEP.  
 PAGE: 1/1

ACCESSORY PARTS	C/W	COND.	1.35~1.45	INSU.	1.3~1.5
KIND	SIZE	C/H mm		FIG	S TEN-SILE
AMISEN	0.5	CONDUCTOR	1.05 ±0.03	INSULATION	3.00 ±0.05



t	0.20	MACHINE	YZK	CRIMPING DIE NO.	CRIMP. DIE C/W MARK (COND.) (INSU.)
FEED	SIDE FEE D	CRIMPING (INSU.)	A	7114-1670	1.3 1.45
APPLICABLE WIRE	CAVUS 10.3 ~0.5	CAVS	10.3 ~0.5	W	7114-1670 1.3
2002/08/02 WA16B1	4.00 <sup>+0.50</sup> <sub>-0</sub>	NAME	YZK	I	7114-1670 1.45
N 1980/10/28 WA1201	+	SUPPLIER	NO.	Q	
△ DATE	REVISION NO.	STRIP		WING CRIMP	

# 7114-1670-02

# M

NAME  
A-TYPE

REGISTRATION NO.

72-WT08-1149-2

TERMINAL CRIMPING STANDARD

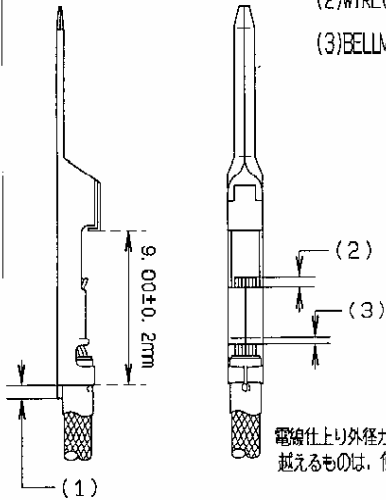
CONT.: CONN. DEV. OFFICE CONN. TECH. DEP.

PAGE

1/1

ACCESSORY PARTS	7139-2198-40	C/W	COND.	1.3 ~ 1.4	INSU.	1.3 ~ 1.5
KIND	SIZE	C / H mm		FIG	TENSILE	
		CONDUCTOR	INSULATION		S	
DOREN	0.3	0.92 ± 0.03	3.00 ± 0.05		6.10	
DOREN	0.5	1.00 ± 0.03	3.00 ± 0.05		9.00	

- (1) CUTTING CARRY(mm) 0 ~ 0.40
- (2) WIRE(mm) 0 ~ 1.0
- (3) BELLMOUTH(mm) F 0.15 ~ 0.50  
B
- BEND(mm) UP 0.10  
DOWN 0
- ROLLING(°) 0



電線仕上り外径が、φ1.7を  
越えるものは、使用不可とする

WIRE EXCEEDING 1.7MM CAN'T BE  
USED FOR THIS TERMINAL

t	0.20	MACHINE	YZK	CRIMPING DIE NO.	CRIMP. DIE C/W MARK (COND.) (INSU.)
FEED	SIDE FEED	CRIMPING(INSU.)	A	7114-1670S	1.3 1.45
			W	7114-1670S	1.3
			I	7114-1670	1.45

02	2001/08/24	WA1634	APPLICABLE WIRE	CAVUS 10.3 ~ 0.5	CAVS 10.3 ~ 0.5	NAME	YZK
N	2000/10/17	WG1017	STRIP	4.00 +0.50 -0		SUPPLIER	NO.
Δ	DATE	REVISION NO.					

