



## CONTENT

### 目录

1. General .....	2
1. 综述 .....	2
1.1 Purpose .....	2
1.1 目的 .....	2
1.2 Customer Drawing .....	2
1.2 客户图纸 .....	2
1.3 Product Specification .....	2
1.3 产品规范 .....	2
2. Product Description (This application specification takes 26Pos. connector as an example) .....	2
2. 产品描述(本说明以 26 位连接器为例) .....	2
2.1 Plug connector .....	2-3
2.1 母端连接器 .....	2-3
2.2 Header connector .....	4
2.2 板端连接器 .....	4
2.3 Accessories .....	5
2.3 附件 .....	5
2.3.1 Backshells .....	6
2.3.1 尾夹 .....	6
2.3.2 Blind plug .....	7
2.3.2 盲堵 .....	7
2.3.3 Applicable terminal and crimping specifications .....	8
2.3.3 适用端子及压接规范 .....	8
3. Application Description .....	8
3. 应用规范 .....	8
3.1 Loading connector with Contacts .....	8
3.1 组装端子和连接器 .....	8
3.1.1 Loading Plug connector with Contacts .....	8
3.1.1 母端连接器组装端子 .....	8
3.2 Extracting Contacts from the connector .....	9
3.2 从连接器中退端子 .....	9
3.2.1 Extracting Contacts from plug connector .....	9
3.2.1 从母端连接器中退端子 .....	9
3.3 Mating Plug& Receptacle connector .....	9
3.3 公母端连接器装配 .....	9
3.4 Unmating Plug& Receptacle connector .....	10
3.4 公母端连接器分离 .....	10
3.5 Installation of Header connector .....	11-12
3.5 板端连接器的安装 .....	11-12

## 1. General

### 1. 综述

#### 1.1 Purpose

#### 1.1 目的

This specification includes the guidelines for application and mounting of subject connectors and their accessories.

本规范包括主体连接器及其配件的应用和安装。

#### 1.2 Customer Drawing

#### 1.2 客户图纸

For dimensions, materials and surface finishes etc. see the current customer drawings.

有关尺寸，材料和表面光洁度等，请参见当前的客户图纸。

#### 1.3 Product Specification

#### 1.3 产品规范

This application specification is valid for products specified in product specification 108-78140, which provides a description of the electrical and mechanical properties of multi-pos. connectors. Also see the current relevant contact systems product and application specifications.

该应用规范对产品规范 108-78140 中指定的产品有效，该规范提供了多位连接器的电气和机械性能的描述。另请参阅当前相关的端子系统产品和应用规范。

## 2. Product Description (This application specification takes 34Pos. connector as an example)

### 2. 产品描述(本说明以 34 位连接器为例)

#### 2.1 Plug connector

#### 2.1 母端连接器

As figure 2.1.1 shows, Super seal plug connector contains 6 parts(Radial seal, Socket insulator, Final lock, Initial lock, family seal and Locking&Back plates).

如图 2.1.1 所示，Superseal connector 的母端连接器包含 6 部分（密封圈，绝缘座，终锁，初锁，密封垫和后盖）

The radial seal is to provide seal protection after the assembly of Plug and Header.

密封圈可以提供 Plug 与 Header 装配后的密封保护。

The Socket insulator is to protect the terminal, fix the terminal position, provide the fixed way and provide Coding error proof and plug.

塑壳可以保护端子，固定端子位置，提供固定方式及用不同 Coding 防错。

Final lock is to provide position assurance after the terminal is inserted into the plastic.

终锁用来提供端子插入塑胶后的位置保证。

The family seal is to provide seal protection for connector and wire.

密封垫可提供连接器和导线的密封保护

The initial lock and locking & back plates is to fix and protect the family seal.

初锁和后盖用来固定和保护密封垫。

There are some kinds of CODING. There are differences in the structure of Socket insulator and Locking&Back plates parts between various CODING. In case of mis-insertion, please assemble according to different coding. (The male CODING A must be assembled with female CODING A).

此类产品有各种 CODING,各种 CODING 间的 housing 和后盖零件的结构存在差异, 以防误插, 请根据不同的 coding 对应装配 (即公端 CODING A 装配母端 CODING A), 详见产品图。

*Note: if the insertion force is very big, please confirm whether the wrong product is installed. Please avoid excessive force in the case of mis-insertion to cause damage to the product. If excessive force causes damage to the product, replace the damaged product for assembly.*

注意: 如当插入力量过大时, 请确认是否装错产品, 请避免错插情形下过度用力导致产品损坏. 若过度用力导致产品损坏需更换破损产品进行装配。

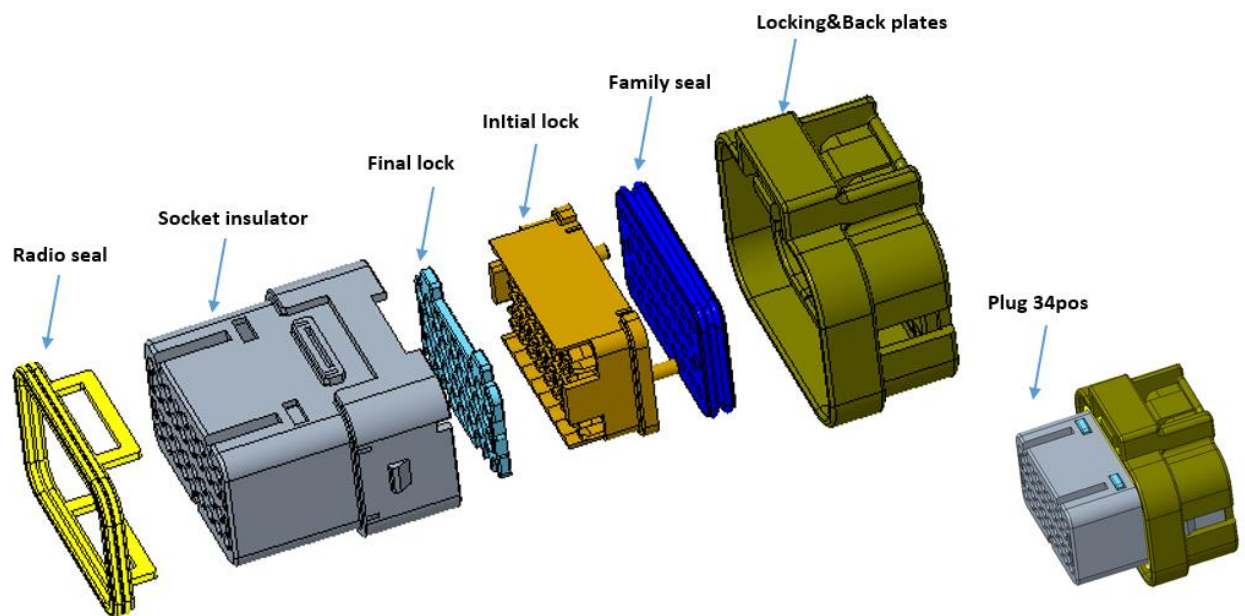


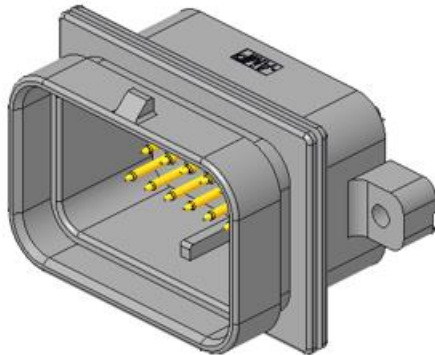
Figure 2.1.1 34pos. Plug Connector  
图 2.1.1 34 位母端连接器

## 2.2 header connector

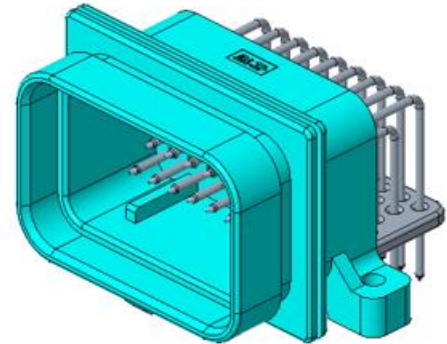
板端连接器

As figure 2.2.1 shows, There are four types of super seal header connector .

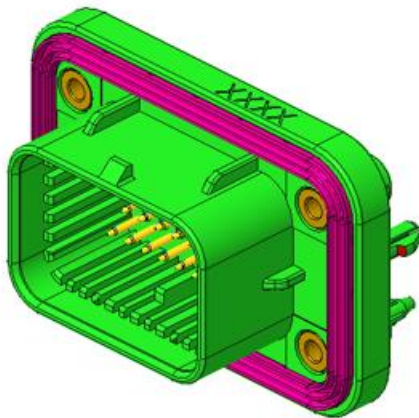
如图 2.2.1 所示， Superseal connector 的板端连接器有四种规格



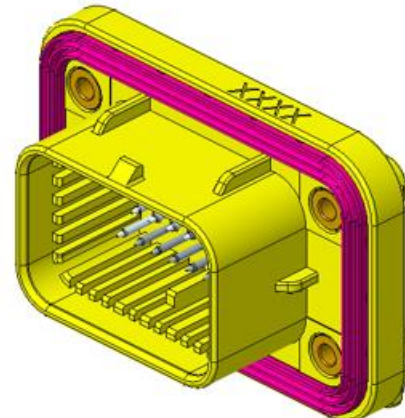
Collar type 180°



Collar type 90°



Flange type 180°



Flange type 90°

Figure 2.2.1 34pos. Header Connector  
图 2.2.1 34 位板端连接器

There are some kinds of CODING. There are differences in the structure of Socket insulator and Locking&Back plates parts between various CODING. In case of mis-insertion, please assemble according to different coding. (The male CODING A must be assembled with female CODING A).

此类产品有各种 CODING,各种 CODING 间的 housing 和后盖零件的结构存在差异，以防误插，请根据不同的 coding 对应装配（即公端 CODING A 装配母端 CODING A），详见产品图。

*Note: if the insertion force is very big, please confirm whether the wrong product is installed. Please avoid excessive force in the case of mis-insertion to cause damage to the product. If excessive force causes damage to the product, replace the damaged product for assembly.*

注意：如当插入力量过大时，请确认是否装错产品，请避免错插情形下过度用力导致产品损坏。若过度用力导致产品损坏需更换破损产品进行装配

## 2.3 Accessories

### 2.3 附件

Required accessories are shown in figure 2.3.1.  
附件见下图 2.3.1

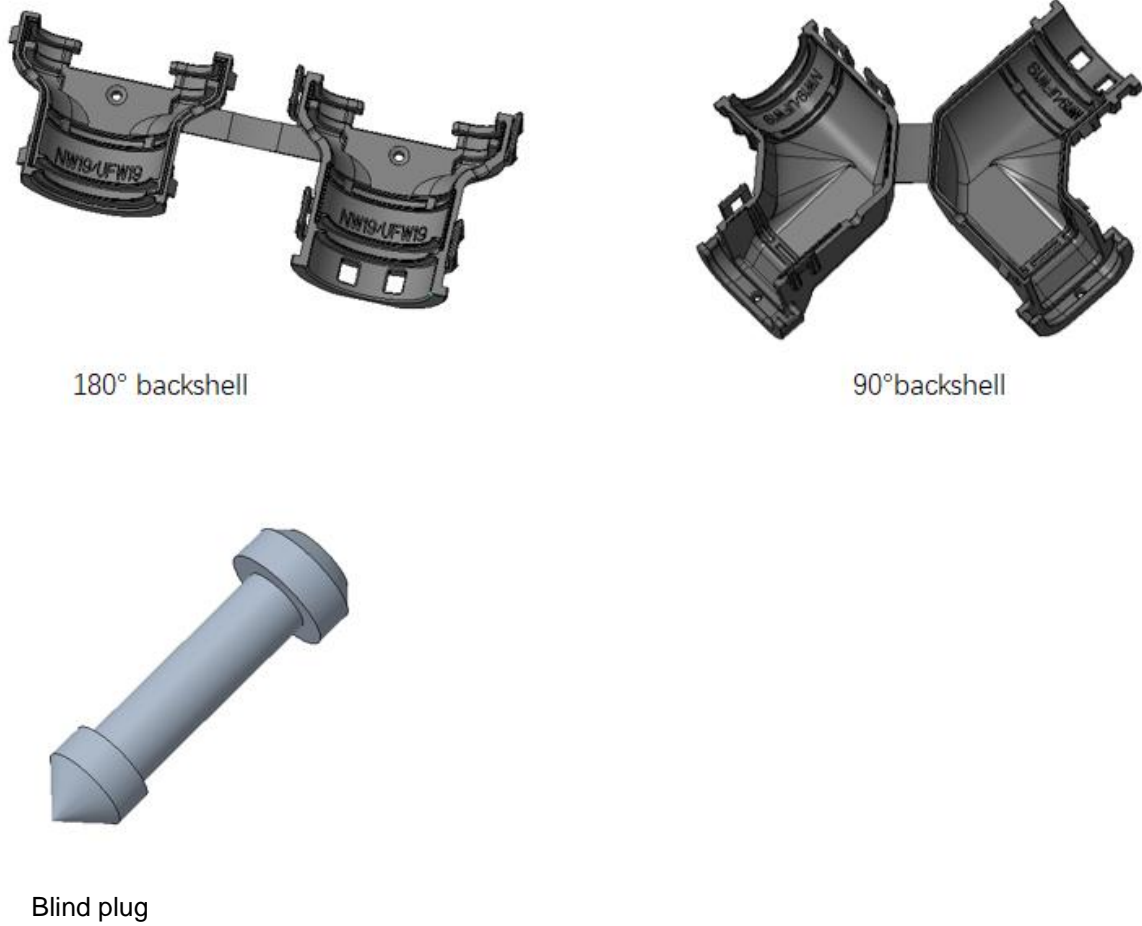


Figure 2.3.1  
图 2.3.1

## 2.3.1 Back shells

### 2.3.1 尾夹

Figure 2.3.1.1 shows plug Backshells which can provide protection against the rear of the connector to achieve IPX9K.

图 2.3.1.1 是公端尾夹，提供接插件尾部的防护，防护等级可达到 IPX9K

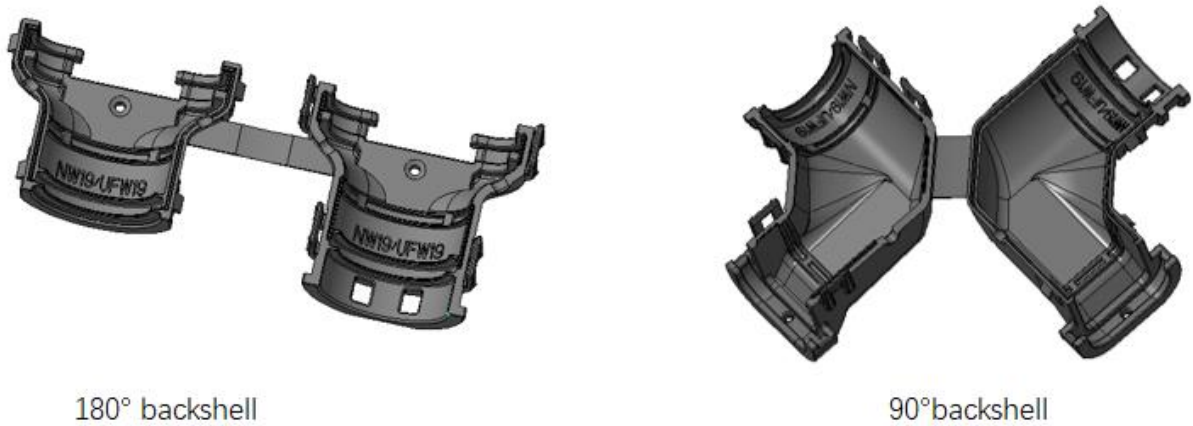


Figure 2.3.1.1  
图 2.3.1.1

As figure 2.3.1.2, the part numbers and types are available for selection. (34P)

如图 2.3.1.2 所示，以下料号和类型可供选择。(34P)

CONNECTOR	TYPE	CORRUGATED TUBE SIZE	BACKSHELL P/N
PLUG (34P)	180°	NW19&UFW19	2389576-1
PLUG (34P)	90°	NW19&UFW19	2389577-1

Figure 2.3.1.2  
图 2.3.1.2

The installation picture as below figure 2.3.1.3.

安装效果示意图见图 2.3.1.3。



Figure 2.3.1.3 Installation figure  
图 2.3.1.3 安装效果示意图



## 2.3.2 Blind plug

### 2.3.2 盲堵

Figure 2.3.2.1 shows blind plug  
图 2.3.2.1 是盲堵。

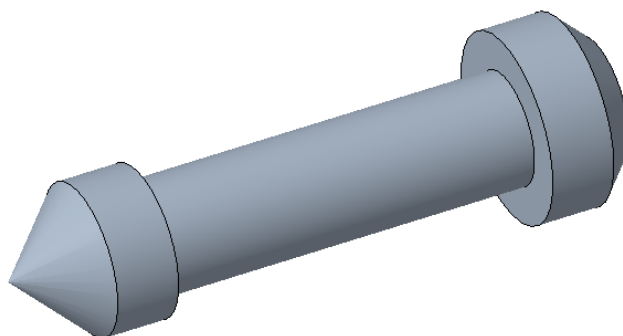


Figure 2.3.2.1 Blind plug  
图 2.3.2.1 盲堵

As figure 2.3.2.2, 4-1437284-3 is for all holes, top part insert into cavity to end-lock with click sound.  
如图 2.3.2.2, 使用盲堵 4-1437284-3, 将盲堵的尖端装入孔位, 直至听到咔哒声, 表示安装到位。



initial



final

Figure 2.3.2.2  
图 2.3.2.2

### 2.3.3 Applicable terminal and crimping specifications

#### 2.3.3 适用端子及压接规范

For further information, 114-78011/114-78013 can be seen. In case of conflict, this document shall prevail.  
具体可参考 114-78011/114-78013 压接规范。如有冲突以此份文件为准。

## 3. Application Description

### 3. 应用规范

#### 3.1 Loading connector with Contacts

##### 3.1 组装端子和连接器

##### 3.1.1 Loading Plug connector with Contacts

##### 3.1.1 母端连接器组装端子

Contacts can only be inserted when the Final lock is in the pre-locked position as figure 3.1.1.1. If the Final lock is in the final lock state as figure 3.1.1.1, the Final lock needs to be pulled to the pre-lock and then operates.

端子只有在终锁结构在预锁状态(如图 3.1.1.1)下才能插入。若终锁结构在终锁状态(如图 3.1.1.1)需将终锁结构拉至预锁再进行操作

Step1, please make sure that the terminal is inserted horizontally and inserted into the right position as shown in figure3.1.1 (When hearing the click sound, pull the cable gently and it cannot be pulled).

第 1 步，请确保端子朝向水平插入且插入到位（听到卡搭声且往后轻拉，线无法拉动）。

Step2, after all the terminals inserted into the right position, press the Final lock from the pre-lock to the final lock state as figure 3.1.1.1shows. (When hearing the click sound, pull the cable gently and it cannot be pulled).

第 2 步，所有端子都安装到位后，将终锁从预锁按到终锁状态，如图 3.1.1.1 所示（听到卡搭声，往后轻拉线无法拉动）。

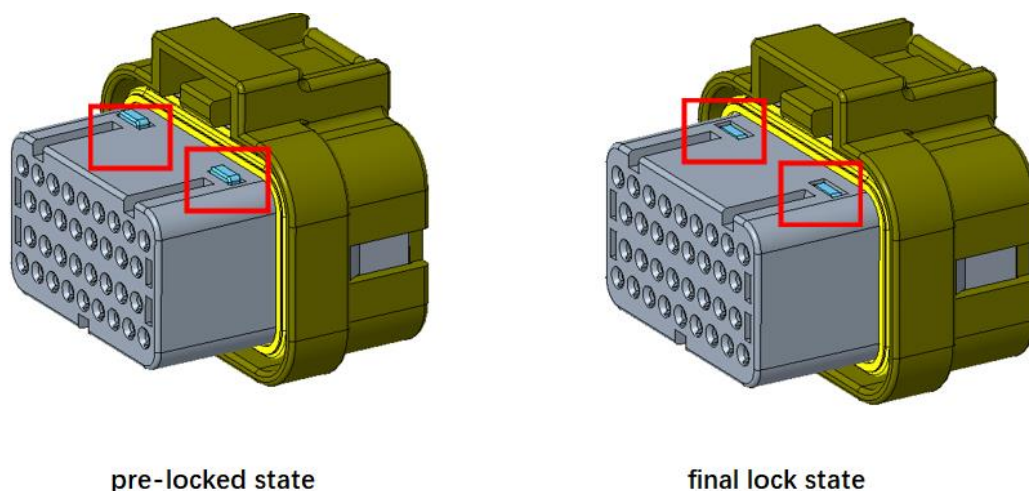


Figure 3.1.1.1 Contact loading into the socket housing.

图 3.1.1.1 端子插入塑壳示意图



### 3.2 Extracting Crimped terminals from the connector

#### 3.2 从连接器中退端子

##### 3.2.1 Extracting Crimped terminals from plug connector

##### 3.2.1 从母端连接器中退端子

Contacts can only be pulled out when the Final lock is in the pre-locked position as figure 3.1.1.1. If the Final lock is in the final lock state as figure 3.1.1.1, the Final lock needs to be pulled to the pre-lock and then operates.

端子只有在终锁结构在预锁状态(如图 3.1.1.1)下才能拔出。若终锁结构在终锁状态(如图 3.1.1.1)需将终锁结构拉至预锁再进行操作

。

### 3.3 Mating Plug& Receptacle connector

#### 3.3 公母端连接器装配

As figure 3.3.1 shows, ensure that the female end is inserted horizontally and vertically until there is a click sound. Verify plug latch is in full latched position.

如图 3.3.1 所示，确保母端水平且垂直插入，直至听到卡搭声。再确认母端的卡扣已卡到位。

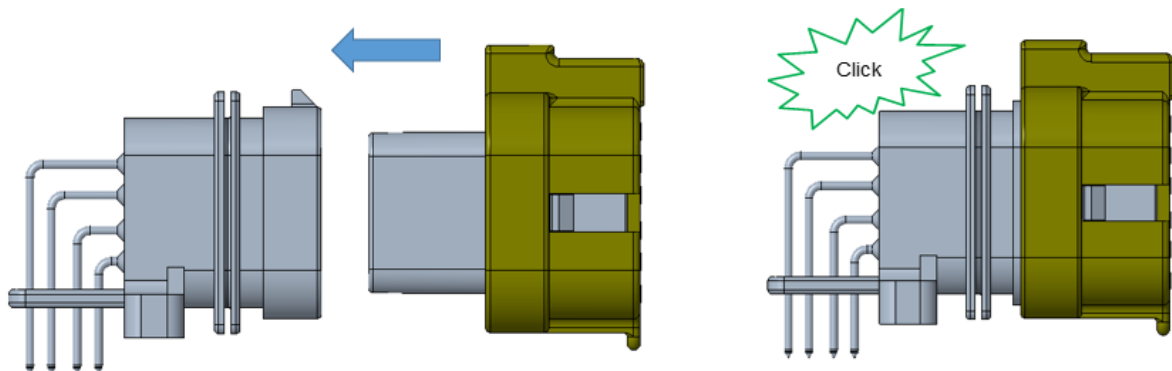


Figure 3.3.1  
图 3.3.1

*Note: As figure 3.3.2 shows, when the plug is inserted into the receptacle with angular skewing, it is possible to bend the male terminal. At the same time, the male and female terminals also have the risk of withdrawing the needle.*

注意：如图 3.3.2 所示，当斜插入装配后，有可能将公端子折弯。同时公母端子也存在退针的风险。

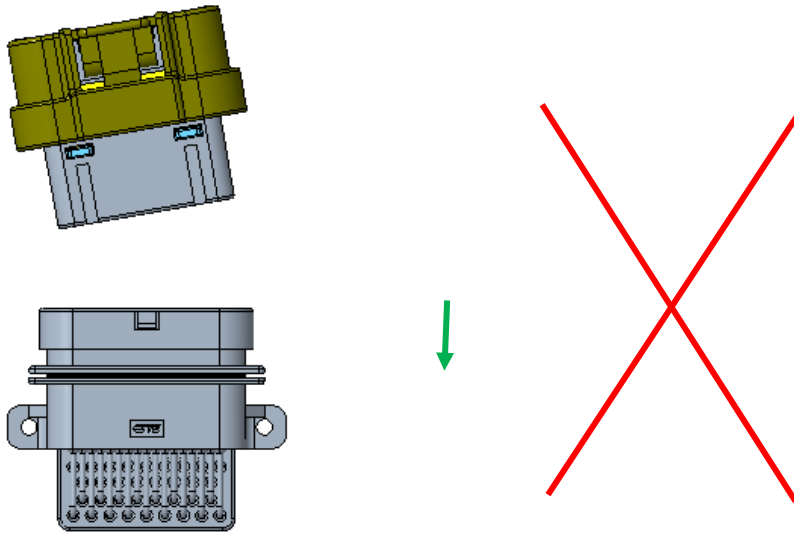


Figure 3.3.2  
图 3.3.2

### 3.4 Unmating Plug& Receptacle connector

#### 3.4 公母端连接器分离

As figure 3.4.1, Push the plug latch until a hard stop is felt. Pull the plug from the header until they are fully separated.

如图 3.4.1 按下母端的卡扣，直到感觉到停止为止。将母端从公端拔出，至完全分开。

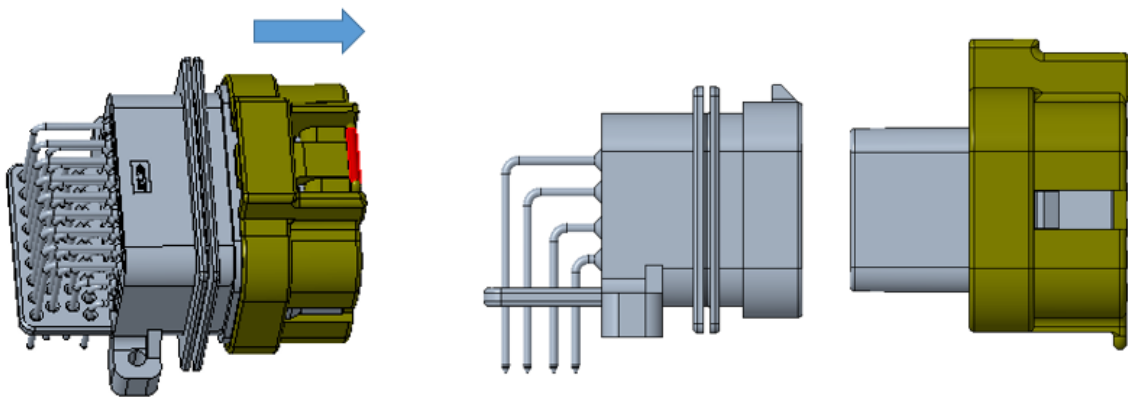


Figure 3.4.1  
图 3.4.1



### 3.5 Installation of Header connector

#### 3.5 板端连接器的安装

Refer to C-drawings for the installation method of connector on PCB.

连接器在 PCB 的安装方式参考客户图。

	Header connector	C-drawing	Type	Pin
26P	9-6437287-8	C-9-1437287-8	Collar type	90°
	9-6437287-9	C-9-1437287-8	Collar type	90°
	6473423-1	C-9-1437287-8	Collar type	90°
	6473423-2	C-9-1437287-8	Collar type	90°
	5-6447223-0	C-5-1447223-0	Collar type	90°
	6437288-4	C-5-1447223-0	Collar type	90°
	2-6437285-8	C-2-1437285-8	Collar type	90°
	2-6437285-9	C-2-1437285-8	Collar type	90°
	6437288-6	C-1437288-6	Collar type	180°
	6473418-1	C-1437288-6	Collar type	180°
6473418-2	C-1437288-6	Collar type	180°	
34P	6437288-1	C-9-1437287-8	Collar type	90°
	6437288-2	C-9-1437287-8	Collar type	90°
	2-6437285-5	C-5-1447223-0	Collar type	90°
	2-6437285-6	C-5-1447223-0	Collar type	90°
	3-6437285-0	C-2-1437285-8	Collar type	90°
	3-6437285-1	C-2-1437285-8	Collar type	90°
	2-6447232-3	C-1376880	Collar type	180°
	2-6447232-4	C-1376880	Collar type	180°
	2384723-1	C-2384723	Flange type	90°
	2384723-2	C-2384723	Flange type	90°
	2384723-3	C-2384723	Flange type	90°
	2384723-4	C-2384723	Flange type	90°
	2388688-1	C-2388688	Flange type	180°
	2388688-2	C-2388688	Flange type	180°
2388688-3	C-2388688	Flange type	180°	
2388688-4	C-2388688	Flange type	180°	
60P	6437288-3	C-9-1437287-8	Collar type	90°
	6473427-1	C-9-1437287-8	Collar type	90°
	6437288-5	C-5-1447223-0	Collar type	90°
	3-6437285-2	C-2-1437285-8	Collar type	90°

Customer panel is designed with a ditch structure to accommodate the collar of header connector. Silicone based glue or equivalent solution can be applied inside the ditch for sealing tight. As figure 3.5.1  
客户面板采用卡箍结构，来配合连接器的沟槽。可在沟槽内涂抹硅胶或等效的胶来进行密封。如图 3.5.1 所示。

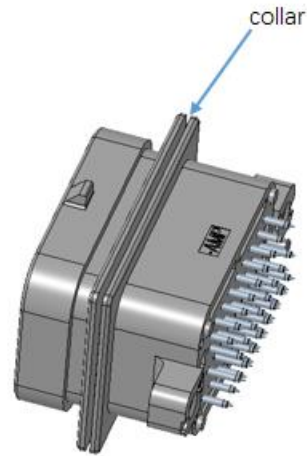


Figure 3.5.1  
图 3.5.1

Customer seals the panel and connector by fixing them with screws. As figure 3.5.2  
客户可通过安装螺丝，将面板和连接器密封。如图 3.5.2 所示。

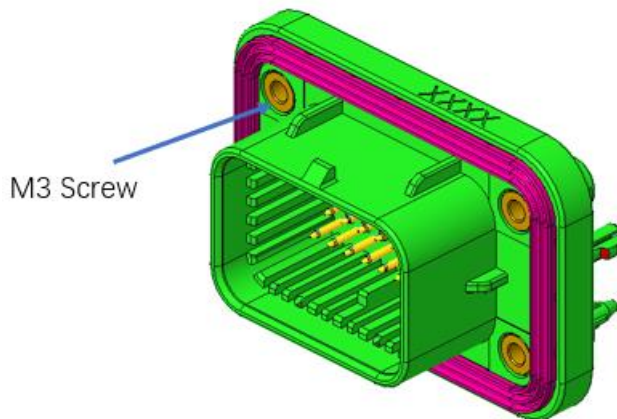


Figure 3.5.2  
图 3.5.2